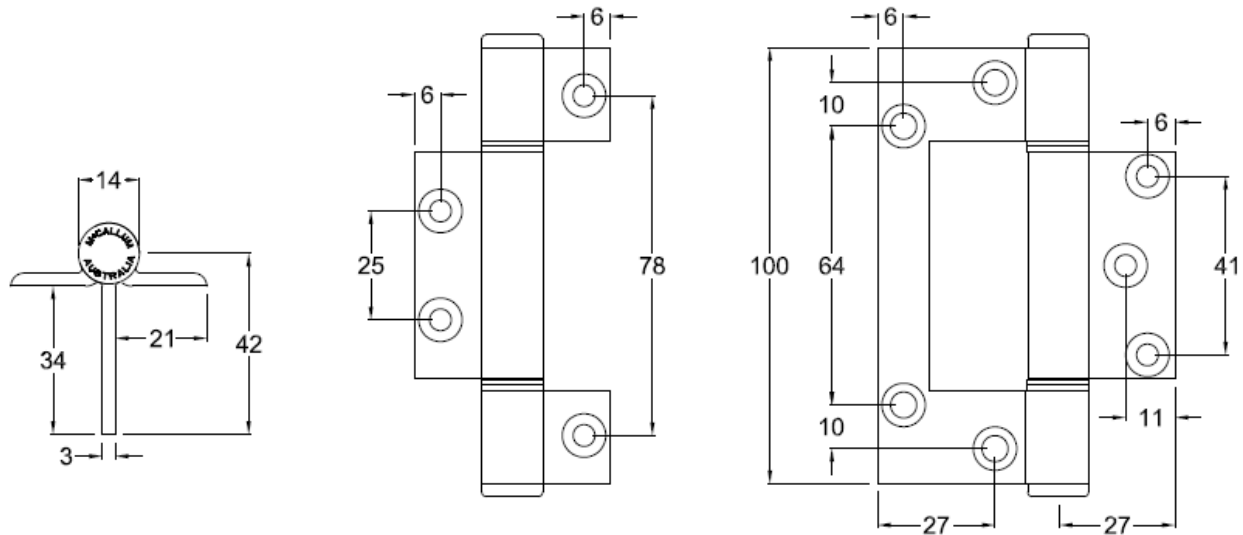


# Technical Data Sheet

## A124 Aluminium Interfold Hinge 100mm Wrap-around face fix



### SPECIFICATION

- **Hinge Type:** Interfold Hinge
- **Material:** High strength Aluminium Alloy T6 minimum tensile 254 mpa
- **Hinge Pin:** 6mm Diameter Stainless Steel 304 grade
- **Bushes:** Flanged Nylon
- **Knuckle:** Round Centre - Medium Duty
- **Endcaps:** Aluminium Pressed Interference fit
- **Face Fix:** Wrap-around face fixing to door & frame
- **Hinge Positioning Locator:** Yes
- **Maximum Weight Capacity:** 20kg's – 3 Hinges

### FINISH

- A124SNA – Satin Natural Anodised
- A124BLK – Black Powder Coat
- A124WHT – White Powder Coat
- A124SPC – Special Powder Coat

### INSTALLATION GUIDE

- Minimum Door Thickness 35mm
- Suitable for Aluminium & some Timber doors in Aluminium frames
- As a guide doors:
  - 2040 high x 820 up to 20kg – 3 hinges
- Recommended that the minimum of 3 hinges be used with the top hinge located as high as possible
- Where door closers are or to be installed and or higher traffic doors a fourth hinge may be required

### FIXING

- Fastening screws supplied
- Aluminium fixings - 10G x 12mm, 304SS undercut countersunk self-tapping Phillips drive screw
- Face fixing to the door and frame
- **Pop Rivets are NOT RECOMMENDED**