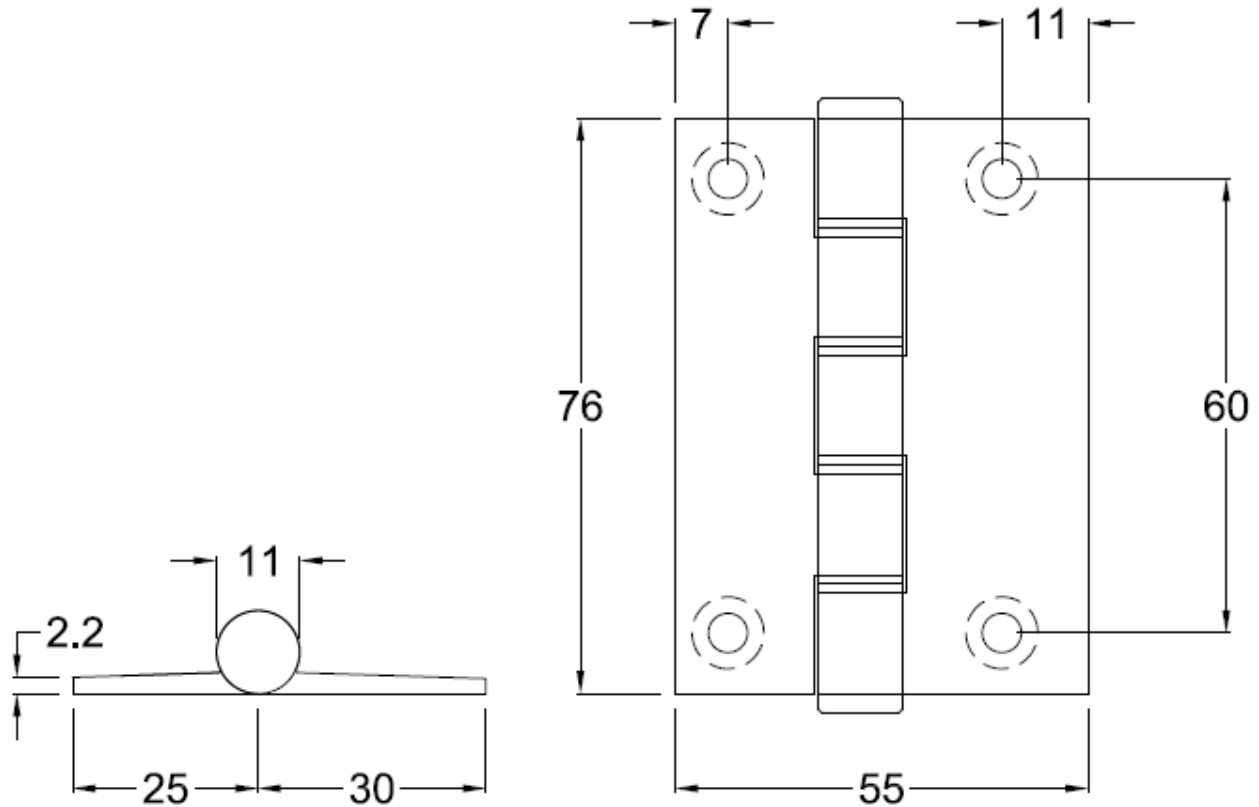


Technical Data Sheet

A146 Aluminium Door & Window Butt Hinge 76x55x2.2mm



SPECIFICATION

- **Hinge Type:** Butt Hinge – Fixed Pin
- **Material:** High strength Aluminium Alloy T6 minimum tensile 254 mpa
- **Hinge Pin:** 4mm Diameter Stainless Steel 304 grade
- **Bushes:** Flanged Nylon
- **Knuckle:** Round
- **Endcaps:** Aluminium Pressed Interference fit
- **Face Fix:** N/A
- **Maximum Weight Capacity:** 20kg's – 3 Hinges

FINISH

- A146SNA – Satin Natural Anodised

INSTALLATION GUIDE

- Minimum Door Thickness 30mm
- Suitable for Aluminium doors and windows in Aluminium frames
- As a guide doors:
 - 2040 high x 820 up to 20kg – 3 hinges
- Recommended that the minimum of 3 hinges be used with the top hinge located as high as possible

FIXING

- Fastening screws **NOT** supplied
- **Pop Rivets are NOT RECOMMENDED**