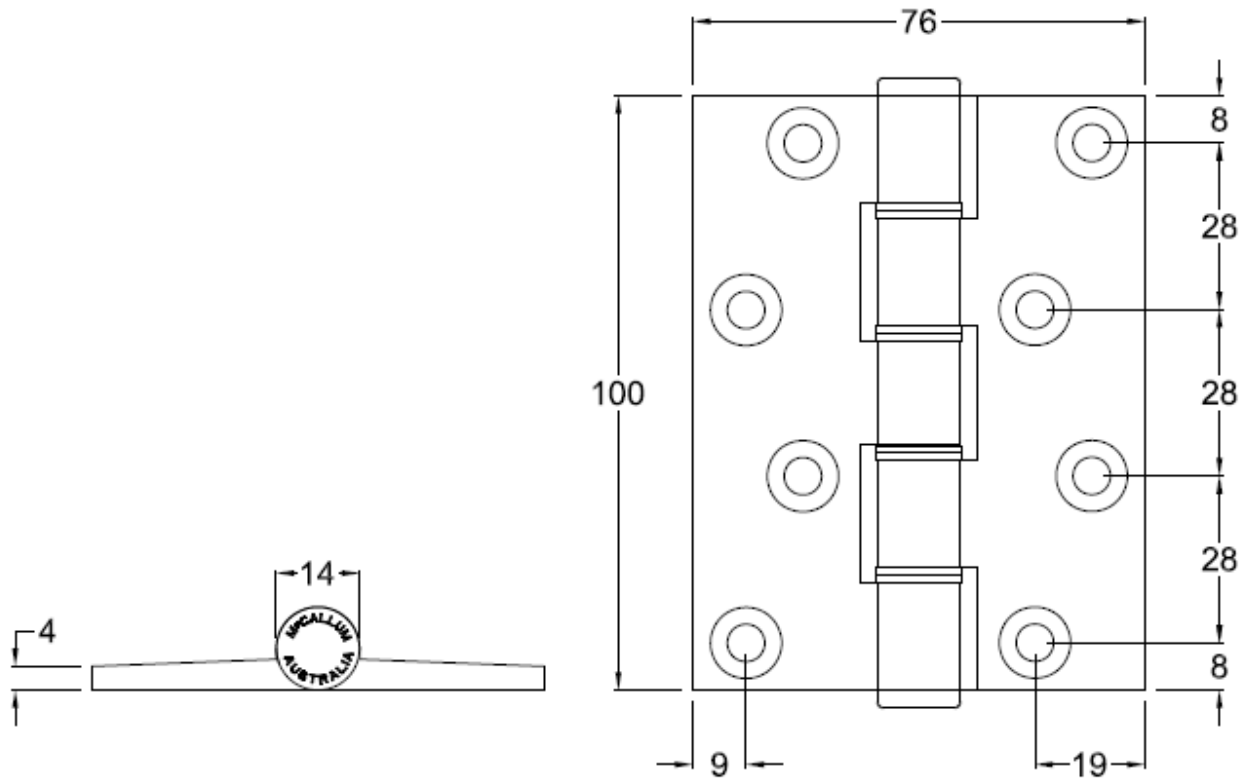


# Technical Data Sheet

## A150 Aluminium Butt Hinge 100x76mm



### SPECIFICATION

- **Hinge Type:** Butt Hinge – Fixed Pin
- **Material:** High strength Aluminium Alloy T6 minimum tensile 254 mpa
- **Hinge Pin:** 4.7mm Diameter Stainless Steel 304 grade
- **Bushes:** Flanged Nylon
- **Knuckle:** Round
- **Endcaps:** Aluminium Pressed Interference fit
- **Face Fix:** N/A
- **Maximum Weight Capacity:** 20kg's – 3 Hinges

### FINISH

- A150SNA – Satin Natural Anodised

### INSTALLATION GUIDE

- Minimum Door Thickness 32mm
- Suitable for Timber doors in Timber frames
- As a guide doors:
  - 2040 high x 820 up to 20kg – 3 hinges
- Recommended that the minimum of 3 hinges be used with the top hinge located as high as possible

### FIXING

- Fastening screws **NOT** supplied
- **Pop Rivets are NOT RECOMMENDED**