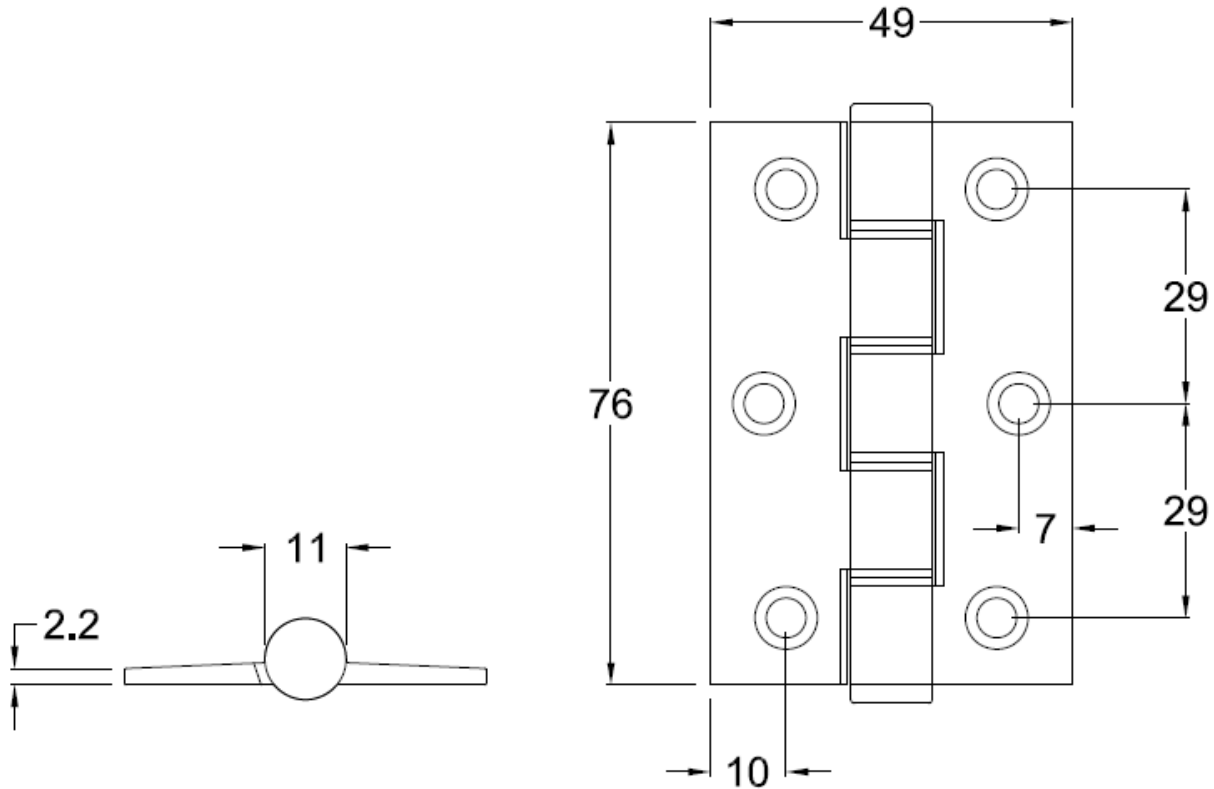


Technical Data Sheet

A151 Aluminium Cabinet Butt Hinge 76x49mm



SPECIFICATION

- **Hinge Type:** Butt Hinge – Fixed Pin
- **Material:** High strength Aluminium Alloy T6 minimum tensile 254 mpa
- **Hinge Pin:** 4mm Diameter Stainless Steel 304 grade
- **Bushes:** Flanged Nylon
- **Knuckle:** Round
- **Endcaps:** Aluminium Pressed Interference fit
- **Face Fix:** N/A

FINISH

- A151SNA – Satin Natural Anodised

INSTALLATION GUIDE

- Minimum Door Thickness 17mm
- Suitable for Timber or Metal cabinet / furniture doors

FIXING

- Fastening screws **NOT** supplied
- **Pop Rivets are NOT RECOMMENDED**