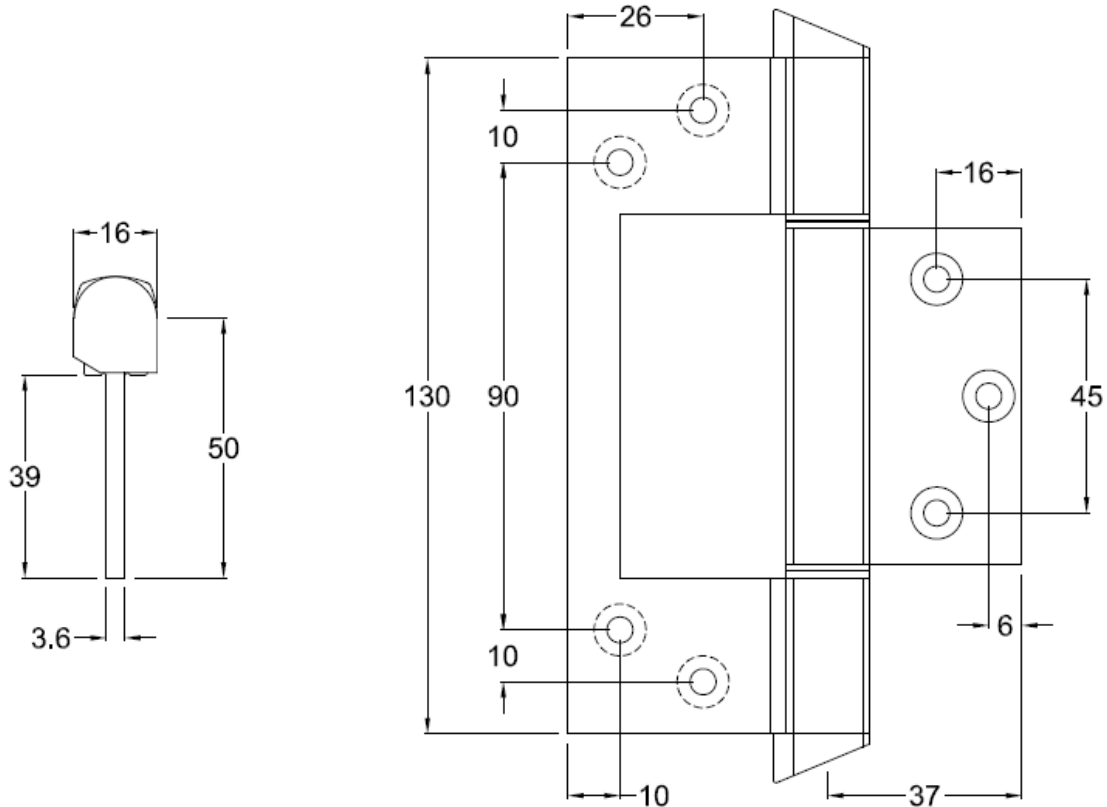


Technical Data Sheet

AL105 Aluminium Anti-Ligature Interfold Hinge 130mm



SPECIFICATION

- **Hinge Type:** Anti-Ligature Interfold Hinge
- **Material:** High strength Aluminium Alloy T6 minimum tensile 254 mpa
- **Hinge Pin:** 6mm Diameter Stainless Steel 304 grade
- **Bushes:** Flanged Nylon
- **Knuckle:** Squareline - Heavy Duty
- **Endcaps:** Anti-Ligature Aluminium Pressed Interference fit
- **Face Fix:** N/A
- **Maximum Weight Capacity:** 80kg's – 3 Hinges

FINISH

- AL105SNA – Satin Natural Anodised
- AL105BLK – Black Powder Coat
- AL105WHT – White Powder Coat

INSTALLATION GUIDE

- Minimum Door Thickness 40mm
- Suitable for Aluminium & some Timber doors in Aluminium frames
- As a guide doors:
 - 2040 high x 820 up to 80kg – 3 hinges
- Recommended that the minimum of 3 hinges be used with the top hinge located as high as possible
- Where door closers are or to be installed and or higher traffic doors a fourth hinge may be required

FIXING

- Fastening screws supplied
- Aluminium fixings - 10G x 12mm, 304SS undercut countersunk self-tapping Phillips drive screw
- Face fixing to the door and frame
- **Pop Rivets are NOT RECOMMENDED**