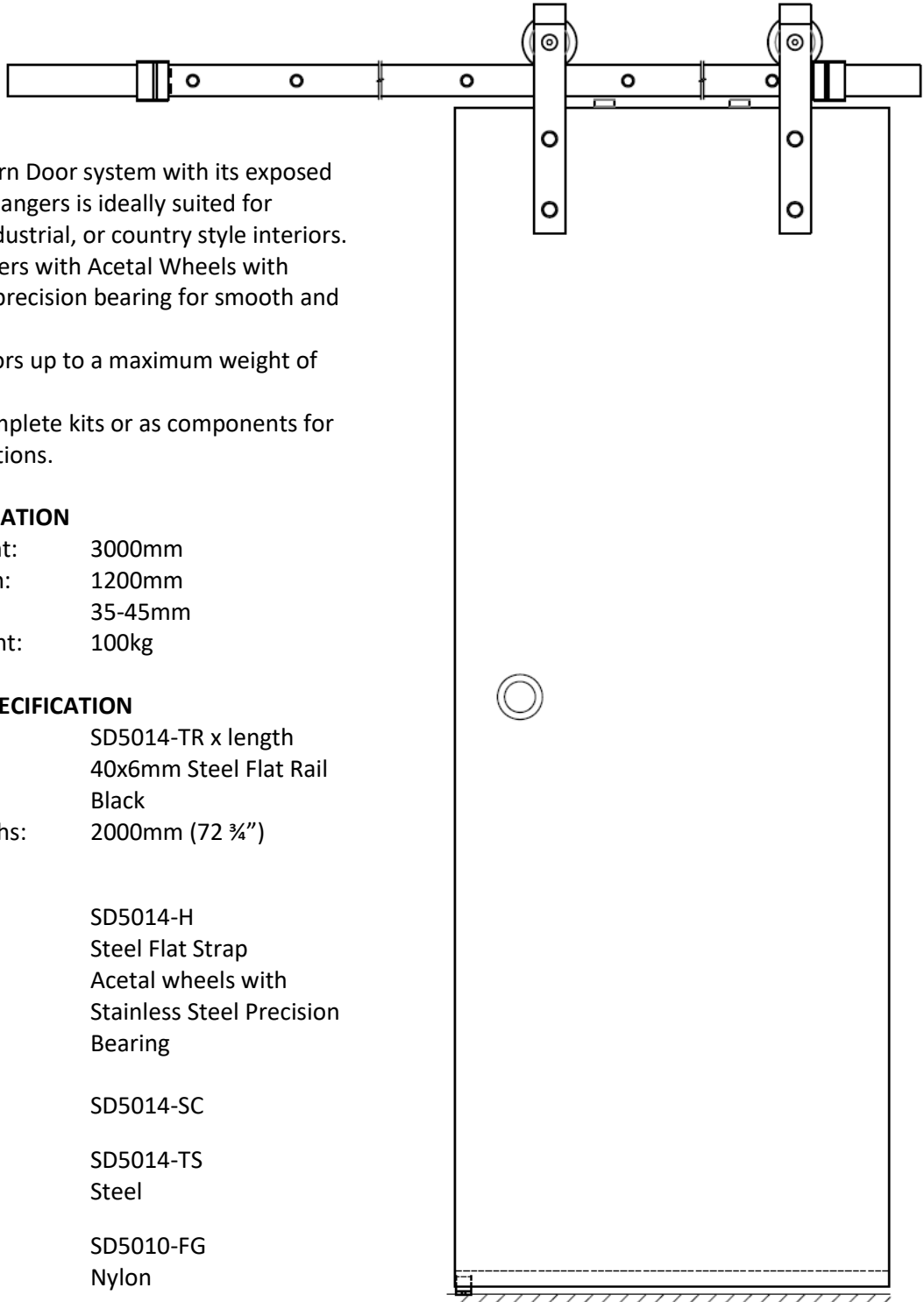


Technical Data

SD5014 Flat Rail Barn Door System 100kg (225lb)



APPLICATIONS

The Flat Rail Barn Door system with its exposed Track & Strap Hangers is ideally suited for commercial, industrial, or country style interiors. Flat Strap Hangers with Acetal Wheels with Stainless Steel precision bearing for smooth and quiet action.

Suitable for doors up to a maximum weight of 100kg.

Available in complete kits or as components for custom applications.

DOOR SPECIFICATION

Max door height: 3000mm
 Max door width: 1200mm
 Door thickness: 35-45mm
 Max door weight: 100kg

HARDWARE SPECIFICATION

Track: SD5014-TR x length
Material: 40x6mm Steel Flat Rail
Finish: Black
Standard Lengths: 2000mm (72 ¾")

Hangers: SD5014-H
Material: Steel Flat Strap
 Acetal wheels with
 Stainless Steel Precision
 Bearing

Soft Close Kit: SD5014-SC

Track Stop: SD5014-TS
Material: Steel

Floor Guide: SD5010-FG
Material: Nylon

Standard Kits:

SD5014-20BLK: Flat Rail Barn Door kit 100kg Black 2000mm

Technical Data

STANDARD KIT inclusions

SD5014-20 Flat Rail Sliding Barn Door System 100kg

SD5014-TR20 Track 2000mm (72 3/4")

SD5014-H Hangers x 2

SD5014-TS Track Stops x 2

SD5014-SC Soft Close x 2

SD5014-WM Wall Mount & Spacers x 5

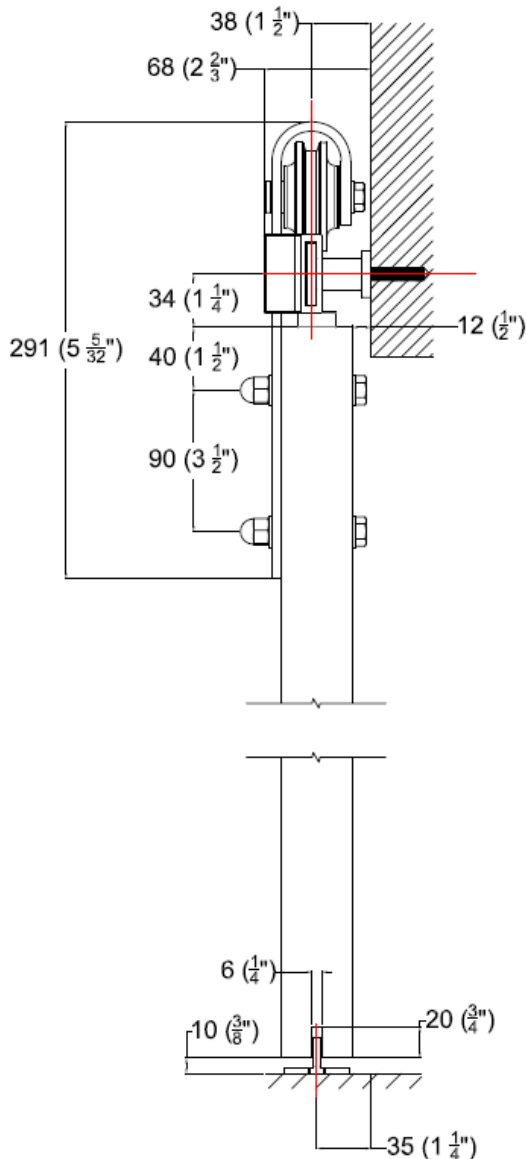
SD5014-FG Floor Guide

All Fasteners requires

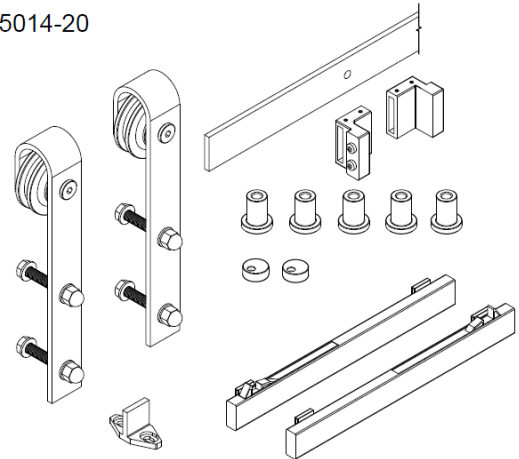
Alternative Floor Guide & Channel

SD-4046: Floor Guide

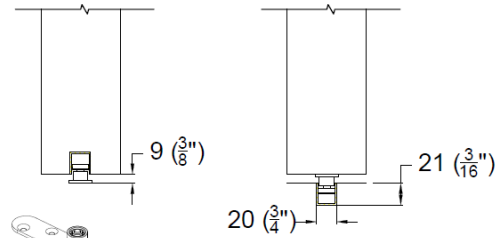
SD-U43: Guide Channel



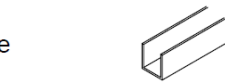
SD5014-20



Alternative Floor Guide & Channel



SD-4046 Floor Guide



SD-U43 Guide Channel PVC