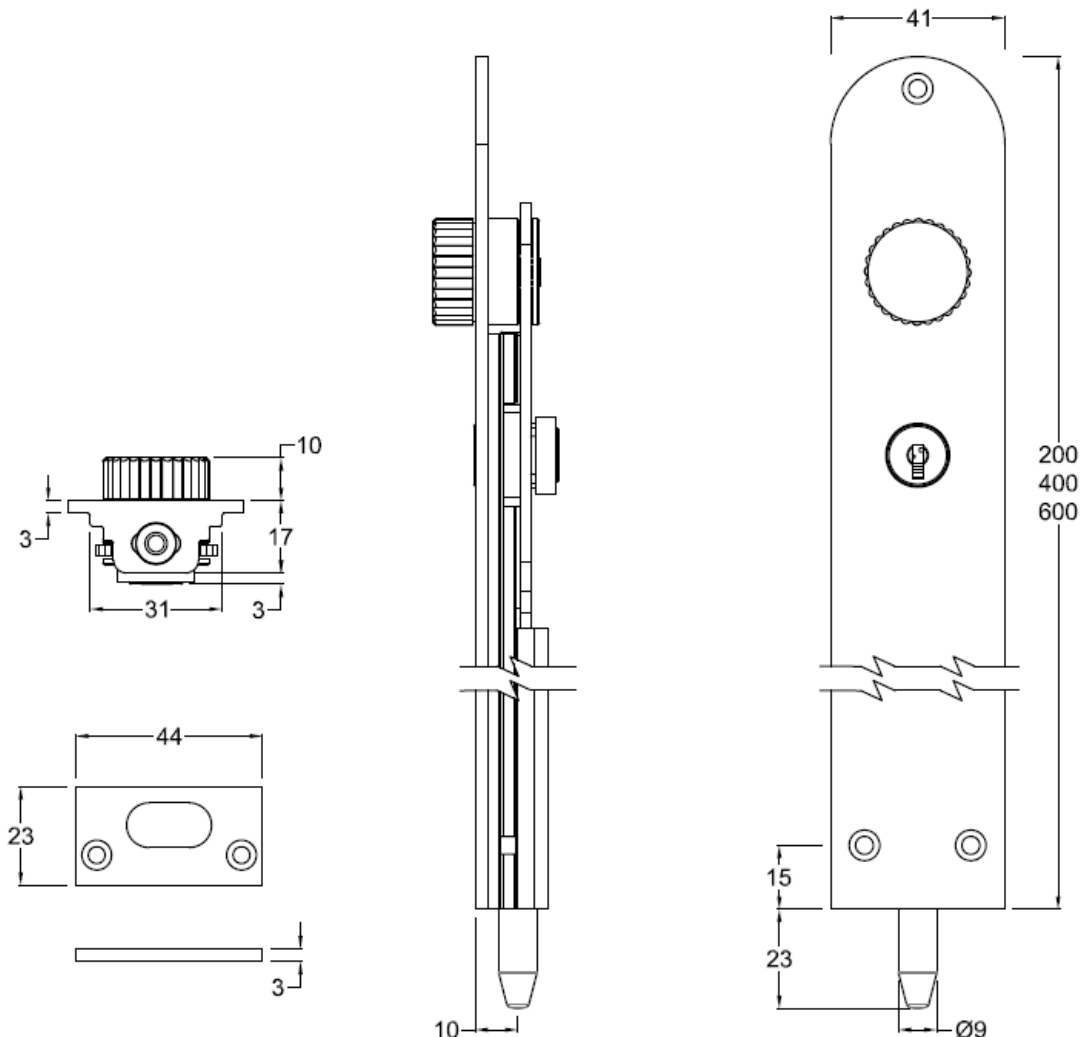


Technical Data Sheet

VFBL- VIO Flush Bolt Key Lockable



SPECIFICATION

- **Bolt Type:** Flush Bolt - Key lockable
- **Material:** High strength Aluminium Alloy T6 minimum tensile 254 mpa
- **Body Dimensions:**
 - Length 200, 400 & 600mm
 - Width 41mm
 - Depth 17mm
- **Bolt:** 304 grade Stainless Steel 9mm in diameter
- **Bolt Projection:** 23mm
- **Strike Plate:** Aluminium Alloy
- **Handing:** Non-Handed

APPLICATION

- Timber Bi-fold doors, Timber Hinged/Swing doors, and some Timber Sliding doors.

INSTALLATION GUIDE

- Minimum Door Thickness 35mm.
- Suitable for Timber Doors.
- VFB-RB Router Bit available ordered separately.

FIXING

- All fixings supplied.

PRODUCT CODE

- VFBL-01 VIO Flush Bolt Key Lockable 200mm
- VFBL-02 VIO Flush Bolt Key Lockable 400mm
- VFBL-03 VIO Flush Bolt Key Lockable 600mm

FINISHES

- BLK – Black
- SS – Satin Stainless
- PS – Polished Stainless
- SNA – Satin Natural Anodised
- GLD – Gold