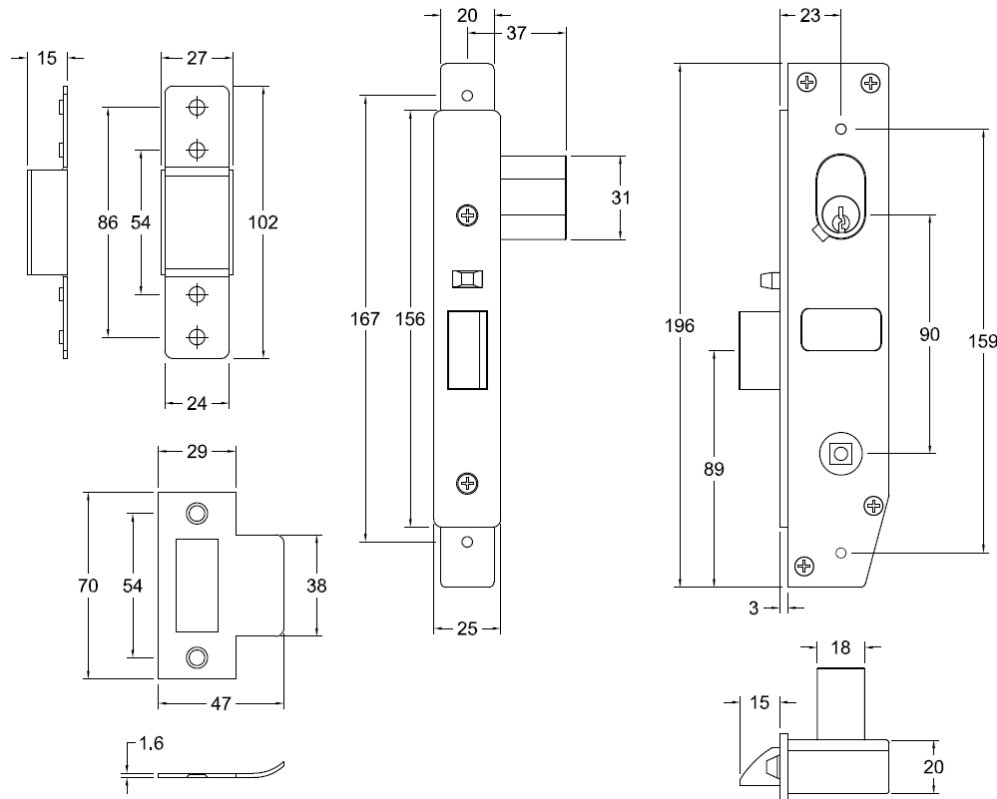


# Technical Data Sheet

## 11000 Series Narrow Stile Commercial Mortice Locks



### SPECIFICATION

**Lock Case:**

Material high purity zinc alloy

**Face Plate:**

Stainless Steel 304 grade

**Strike Plate:**

Stainless Steel 304 grade Universal "T"-strike plate

**Backset:**

Standard 23mm

**Door Thickness:**

32 - 50mm

**Latchbolt:**

Stainless Steel 12mm projection

**Auxiliary bolt:**

Stainless Steel activates deadlatching

**Handing:**

Reversible latchbolt (non-handed)

**Spindle Hub:**

Accepts 7.6 & 8mm spindles.

**Cylinder:**

Oval Brass outer Cylinder and inner Barrel  
C4-6 Pin Standard Keyway

**Cylinder retention:**

Threaded cylinder retaining screw.

**Operation:**

Multi-functional lock body allowing for simple switching from combination to vestibule lock functions.

**Durability:**

11000 Series Commercial Mortice Locks conform with level D8 (Durability) Australian Lock Standard (AS 4145.2-2008).

**Security:**

1000 Series Commercial Mortice Locks conform with level S5 (Physical Security) Australian Lock Standard (AS 4145.2-2008).

**Electric Strikes:**

The 11000 Series Commercial Mortice Locks are compatible with most electric strikes.

**Warranty:**

10 Year mechanical

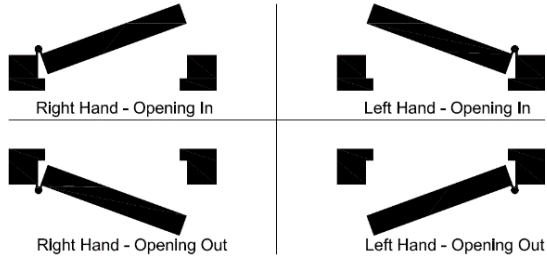
**Finishes:**

SSS: Satin Stainless Steel

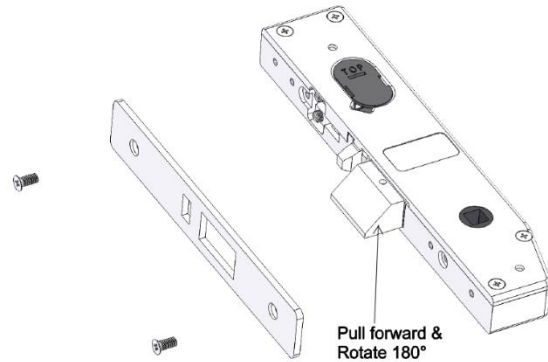
BLK: Black

# Technical Data Sheet

## DOOR HANDING GUIDE



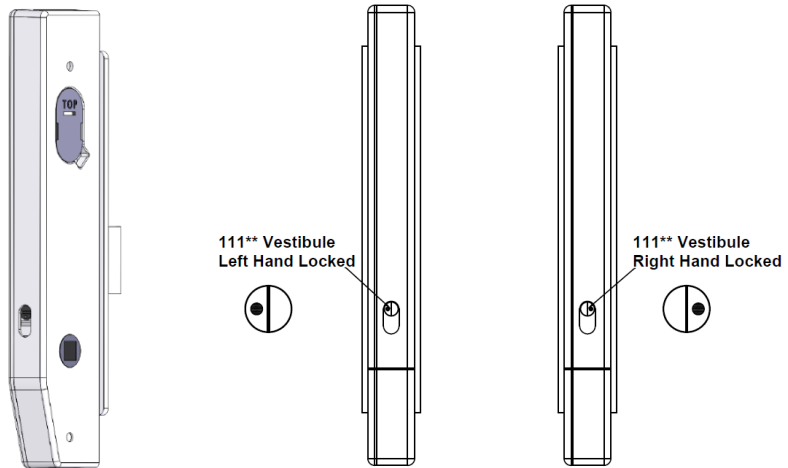
## HANDING LATCHBOLT



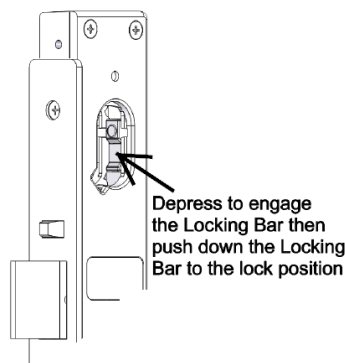
- 1: Remove Face Plate
- 2: Pull forward and rotate Latchbolt 180° to suit required door handing

## SELECTING & SETTING LOCK FUNCTION

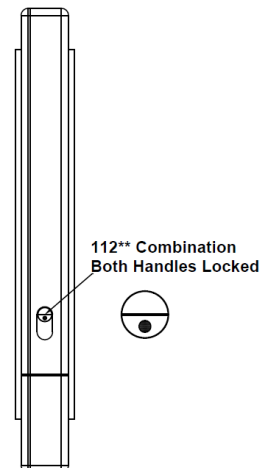
**Vestibule 111\*\* Functions:**  
(Inside handle always free).  
Using a small flat blade screwdriver rotate the selector to suit the door handing for the external handle to be locked.



\*\*For Storeroom and Exit door functions the Locking Bar must be down in the locked position before installing the lock.



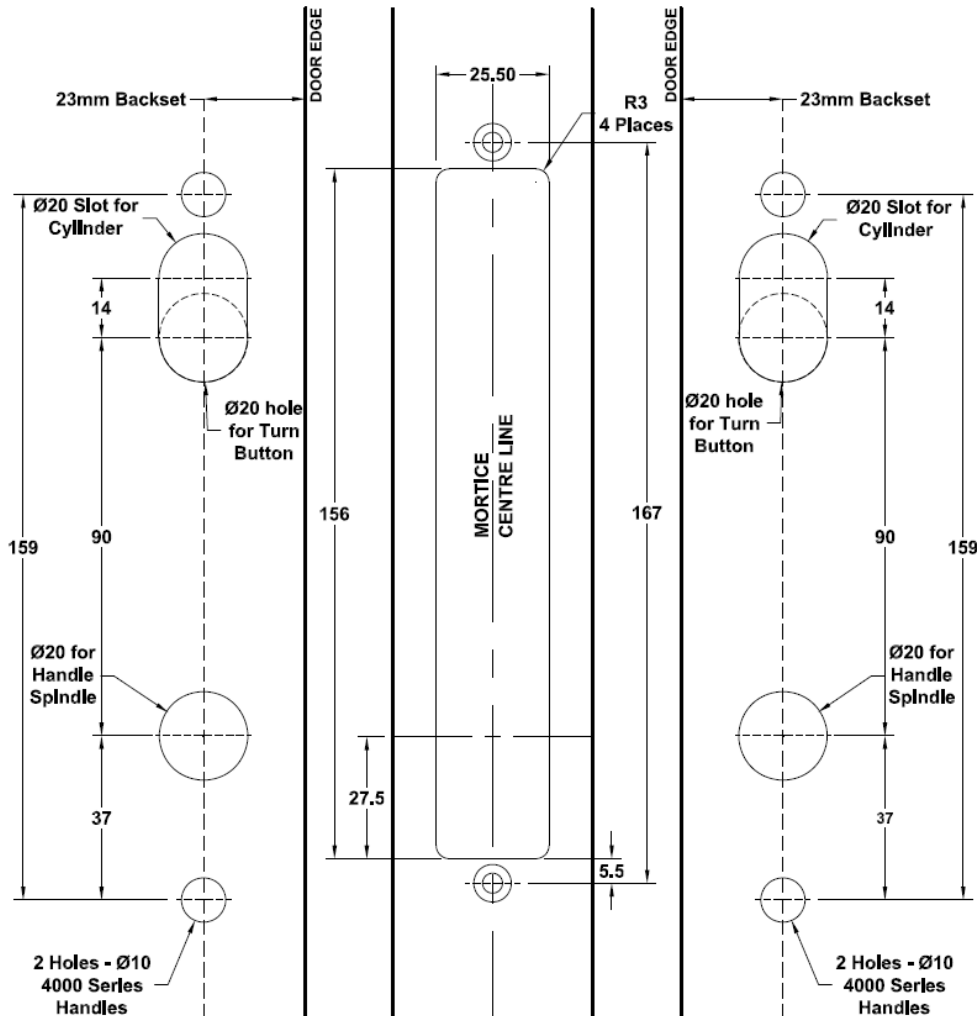
**Combination 112\*\* Functions:** (Both handles lock or unlocked). Using a small flat blade screwdriver rotate the selector to the position shown.



# Technical Data Sheet

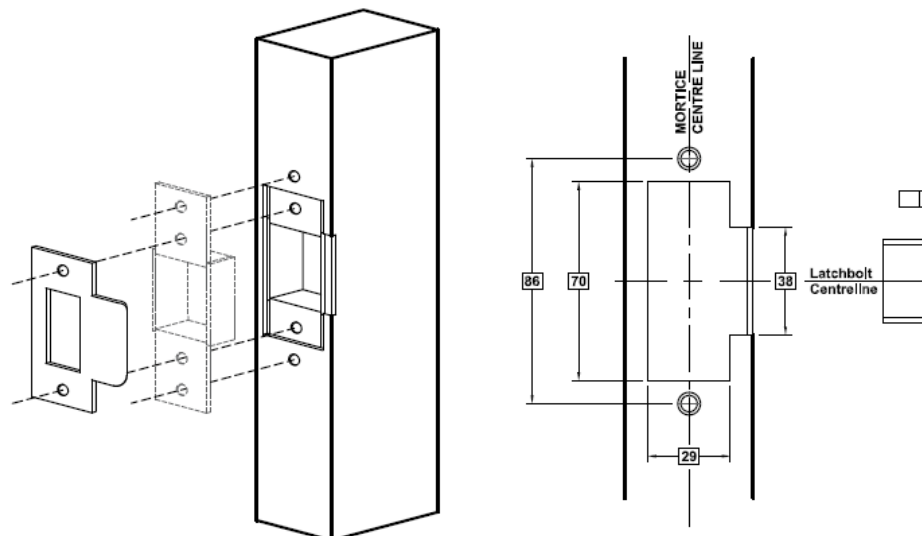
## METAL DOOR PREPARATION

- 1: Establish required height for the lockset on the door.
- 2: Cut out Face Plate window to the dimensions shown.
- 3: Using the supplied template drill and countersink fixing holes as shown.
- 4: Drill appropriate Cylinder, Turn and Spindle holes to suit the required lock functions.



## METAL FRAME STRIKE INSTALLATION

- 1: Prepare door frame for the Strike Plate aligning the centre of the Strike with the centre of the latchbolt.
- 2: Cut out frame to suit Strike Box.
- 3: Insert Strike Box and secure with screws supplied.
- 4: Install Strike Plate to the Strike Box and secure into position with screws supplied.



# Technical Data Sheet

## 11000 SERIES PRODUCT CODES

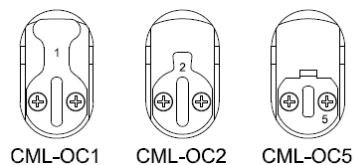
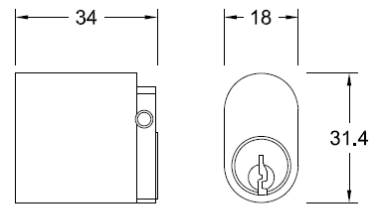
Product Code	Description	Finish
<b>Vestibule Functions</b>		
11116	Entrance / Office Door Lock	SSS, BLK
11156	Entrance Door Lock	SSS, BLK
11110	Storeroom Door Lock	SSS, BLK
11120	Classroom / Office Door Lock	SSS, BLK
11102	Exit Door Lock	SSS, BLK
11106	Exit Door Lock	SSS, BLK,
11100	Exit Door Latch	SSS, BLK
<b>Combination Functions</b>		
11216	Entrance / Office Door Lock	SSS, BLK
11256	Entrance Door Lock	SSS, BLK
11222	Glass Door Lock	SSS, BLK
11206	Patio Door Lock	SSS, BLK
11200	Passage Door Latch	SSS, BLK

**\*Note:** Add finish code to complete product code when ordering

## Commercial Mortice Lock Cylinders & Accessories

### Oval Cylinders

PRODUCT CODE	DESCRIPTION
CML-OC0	Oval Cylinder
CML-OC1	Oval Cylinder + #1Cam
CML-OC2	Oval Cylinder + #2Cam
CML-OC5	Oval Cylinder + #5Cam



### Cylinders Cams

PRODUCT CODE	DESCRIPTION
CML-CAM1	#1 Cylinder Cam
CML-CAM2	#2 Cylinder Cam
CML-CAM5	#5 Cylinder Cam



### Turn Adaptors

PRODUCT CODE	DESCRIPTION
CML-TA1	#1 Turn Adaptor
CML-TA6	#6 Turn Adaptor

