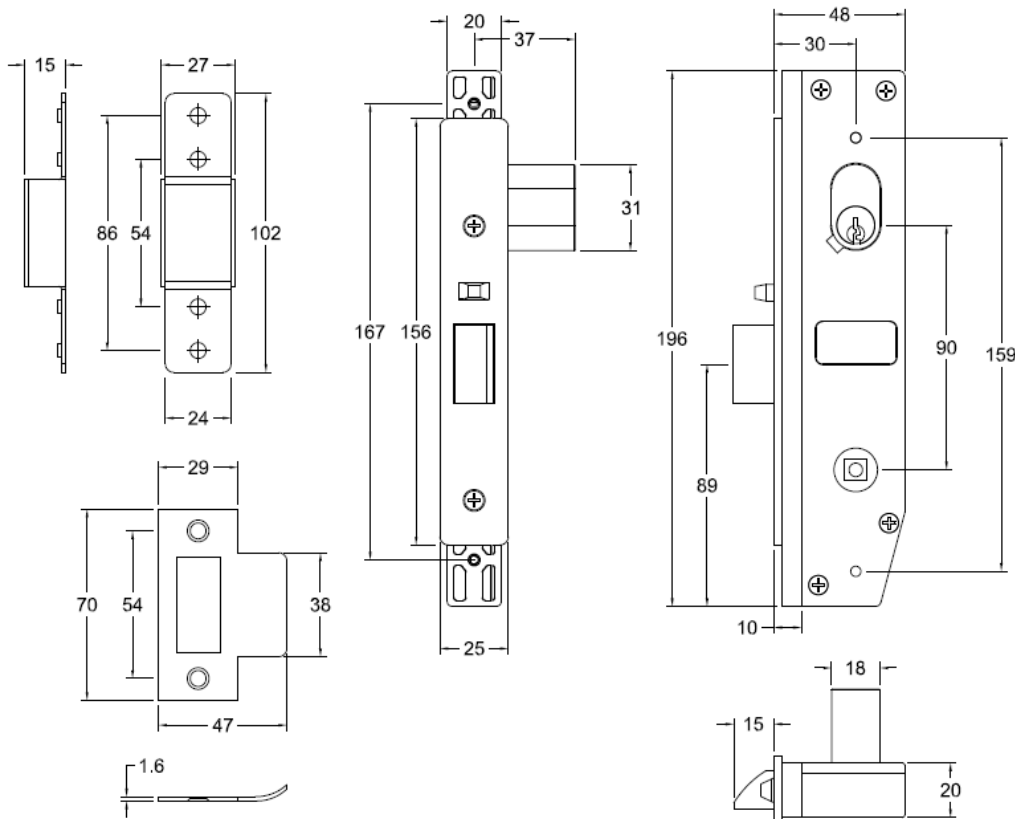


Technical Data Sheet

12000 Series Narrow Stile Commercial Mortice Locks



SPECIFICATION

Lock Case:

Material high purity zinc alloy

Face Plate:

Stainless Steel 304 grade

Strike Plate:

Stainless Steel 304 grade Universal "T"-strike plate

Backset:

12000 series - 30mm backset

Door Thickness:

32 - 50mm

Latchbolt:

Stainless Steel 12mm projection

Auxiliary bolt:

Stainless Steel activates deadlatching

Handing:

Reversible latchbolt (non-handed)

Spindle Hub:

Accepts 7.6 & 8mm spindles.

Cylinder:

Oval Brass outer Cylinder and inner Barrel

C4-6 Pin Standard Keyway

Cylinder retention:

Threaded cylinder retaining screw.

Operation:

Multi-functional lock body allowing for simple switching from combination to vestibule lock functions.

Durability:

The 12000 Series conforms with level D8 (Durability) Australian Lock Standard (AS 4145.2-2008).

Security:

The 12000 Series conforms with level S5 (Physical Security) Australian Lock Standard (AS 4145.2-2008).

Electric Strikes:

The 12000 Series Commercial Mortice Locks are compatible with most electric strikes.

Warranty:

10 Year mechanical

Finishes:

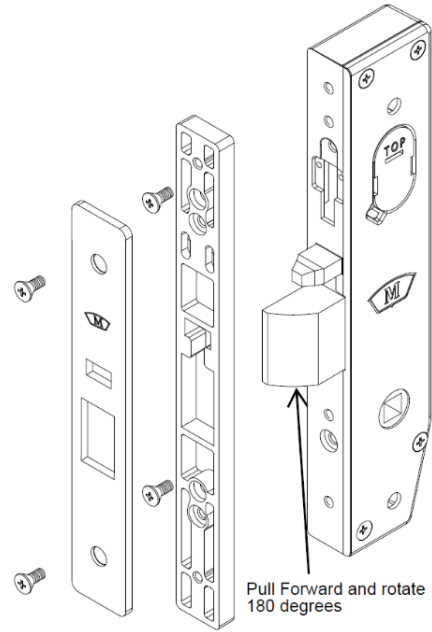
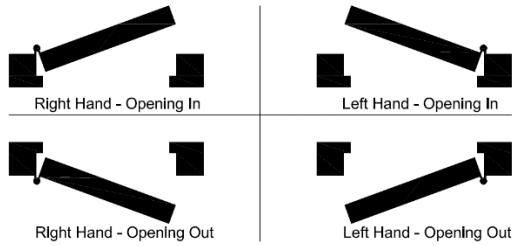
SSS: Satin Stainless Steel

BLK: Black

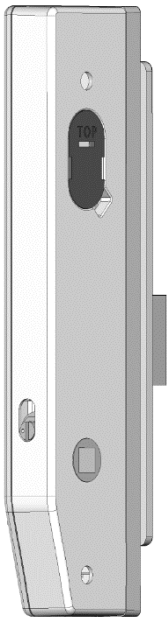
Technical Data Sheet

HANDING LATCHBOLT

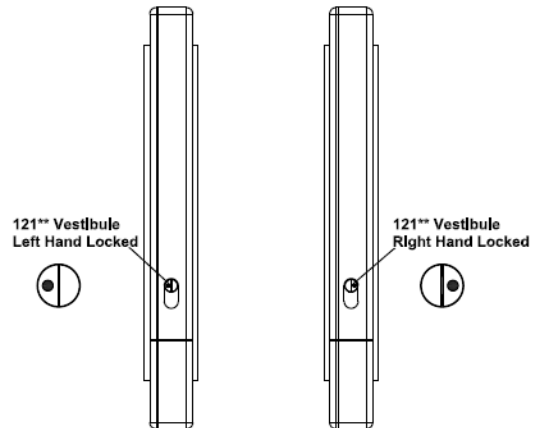
- 1: Remove Face Plate
- 2: Remove forend Plate
- 3: Pull forward and rotate Latchbolt 180° to suit required door handing



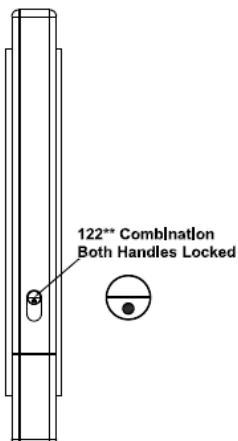
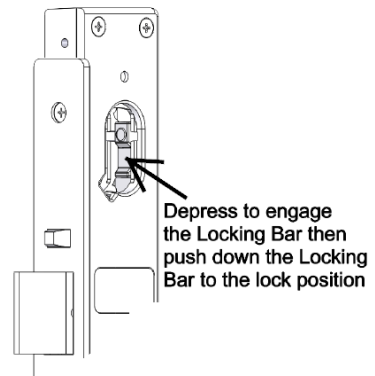
SELECTING & SETTING LOCK FUNCTION



Vestibule 121 Functions:** (Inside handle always free). Using a small flat blade screwdriver rotate the selector to suit the door handing for the external handle to be locked.



**For the 12110 Storeroom function lock the Locking Bar must be down in the locked position before installing the lock.

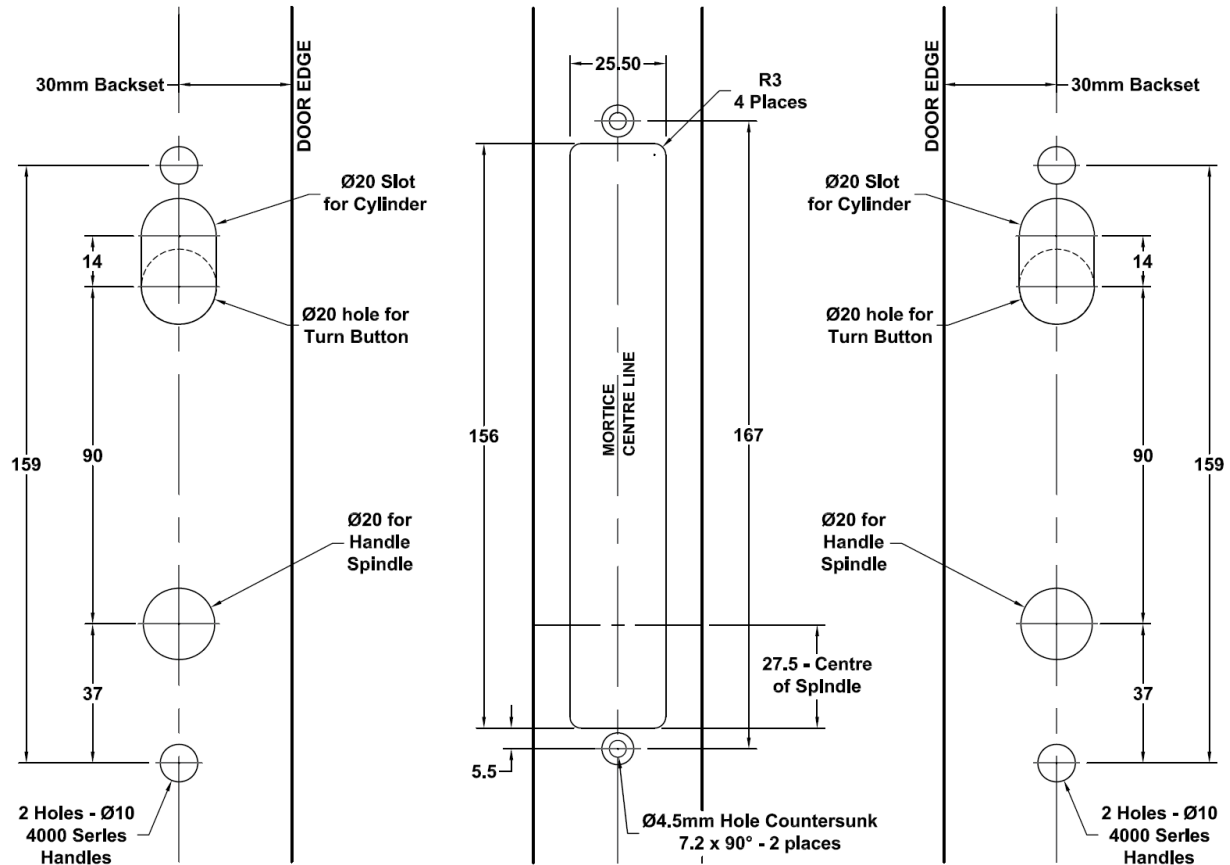


Combination 122 Functions:** (Both handles lock or unlocked). Using a small flat blade screwdriver rotate the selector to the position shown.

Technical Data Sheet

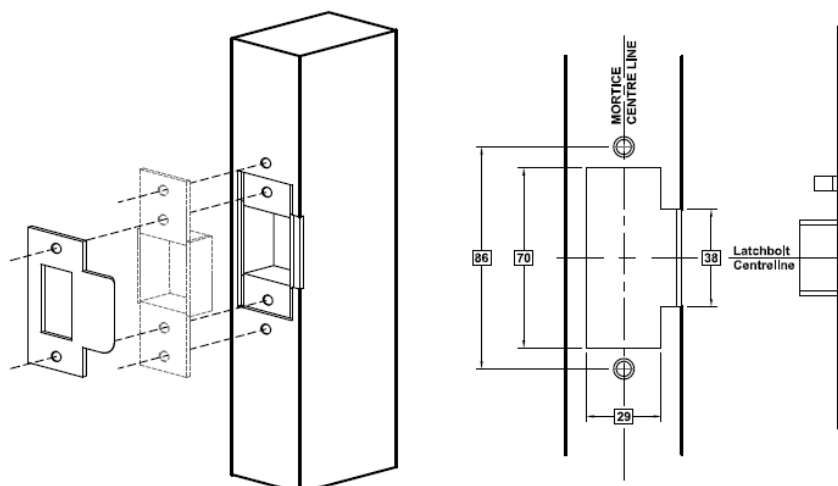
METAL DOOR PREPARATION

- 1: Establish required height for the lockset on the door.
- 2: Cut out Face Plate window to the dimensions shown.
- 3: Using the supplied template drill and countersink fixing holes as shown.
- 4: Drill appropriate Cylinder, Turn and Spindle holes to suit the required lock functions.



METAL FRAME STRIKE INSTALLATION

- 1: Prepare door frame for the Strike Plate aligning the centre of the Strike with the centre of the latchbolt.
- 2: Cut out frame to suit Strike Box.
- 3: Insert Strike Box and secure with screws supplied.
- 4: Install Strike Plate to the Strike Box and secure into position with screws supplied.



Technical Data Sheet

12000 SERIES PRODUCT CODES

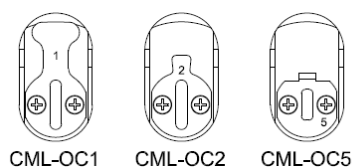
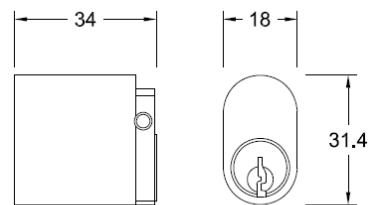
Product Code	Description	Finish
Vestibule Functions		
12116	Entrance / Office Door Lock	SSS, BLK
12156	Entrance Door Lock	SSS, BLK
12110	Storeroom Door Lock	SSS, BLK
12120	Classroom / Office Door Lock	SSS, BLK
12102	Exit Door Lock	SSS, BLK
12106	Exit Door Lock	SSS, BLK
12100	Exit Door Latch	SSS, BLK
Combination Functions		
12216	Entrance / Office Door Lock	SSS, BLK
12256	Entrance Door Lock	SSS, BLK
12222	Glass Door Lock	SSS, BLK
12206	Patio Door Lock	SSS, BLK
12200	Passage Door Latch	SSS, BLK

***Note:** Add finish code to complete product code when ordering

Commercial Mortise Lock Cylinders & Accessories

Oval Cylinders

PRODUCT CODE	DESCRIPTION
CML-OC0	Oval Cylinder
CML-OC1	Oval Cylinder + #1Cam
CML-OC2	Oval Cylinder + #2Cam
CML-OC5	Oval Cylinder + #5Cam



Cylinders Cams

PRODUCT CODE	DESCRIPTION
CML-CAM1	#1 Cylinder Cam
CML-CAM2	#2 Cylinder Cam
CML-CAM5	#5 Cylinder Cam



Turn Adaptors

PRODUCT CODE	DESCRIPTION
CML-TA1	#1 Turn Adaptor
CML-TA6	#6 Turn Adaptor

