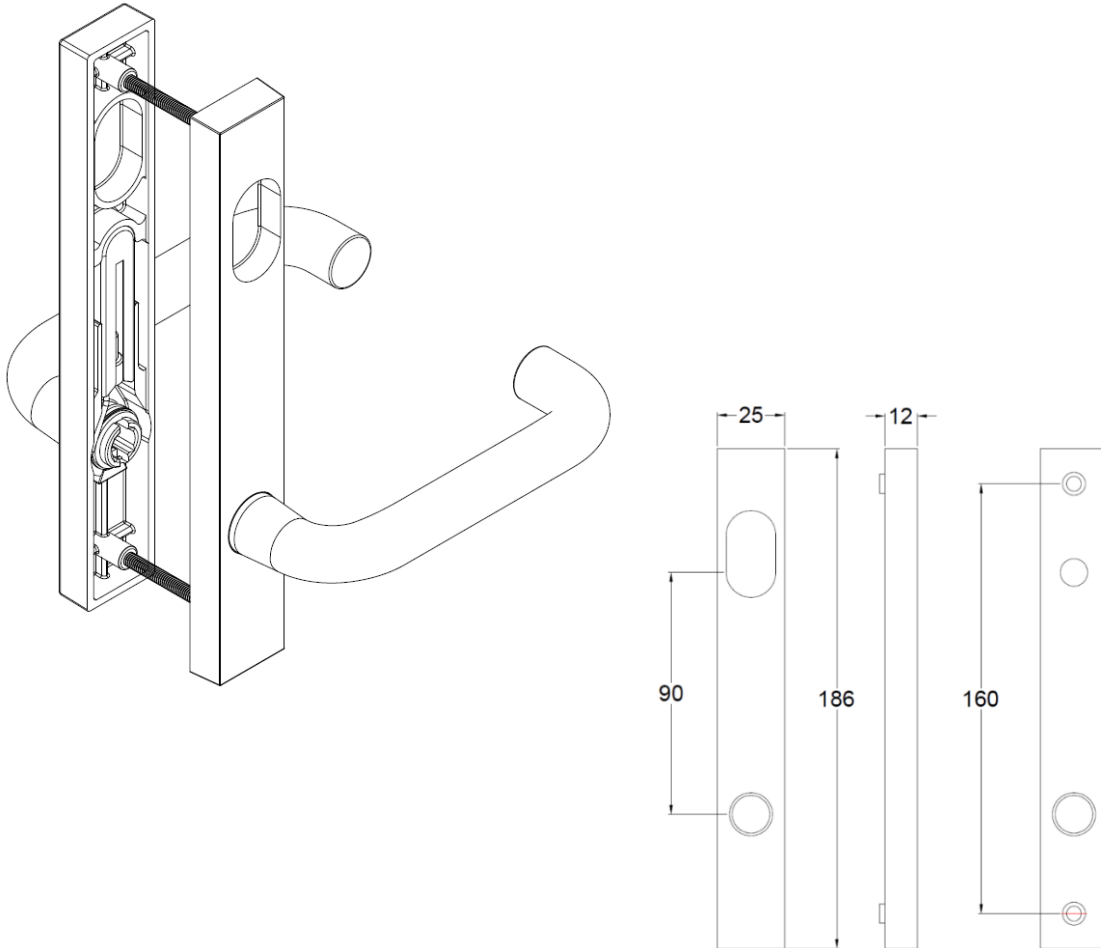


## 4000 Series Narrow Stile Long Plate Door Furniture



### SPECIFICATION

**Lever/handle:**

Solid investment cast 304 grade Stainless Steel machine finished

**Plate:**

Solid investment cast 304 grade Stainless Steel machine finished

**Plate Dimensions:**

186 x 25 x 12mm

**Door Thickness:**

32 - 50mm

**Fixing:**

Back-to-back through door fixing, 2 x screws M4x65mm

**Spindle:**

7.6mm standard spindle x 2

**Handing:**

Reversible (non-handed)

Lever handing is as simple as rotating the levers 180°

**Durability:**

4000 Series Door Furniture conforms with level D8 (Durability) Australian Lock Standard (AS 4145.2-2008).

**AS1428.1 Compliance**

The 2000 series includes levers that are AS1428.1 compliant.

**Warranty:**

10 Year mechanical

**Finishes:**

SSS: Satin Stainless Steel

BLK: Black

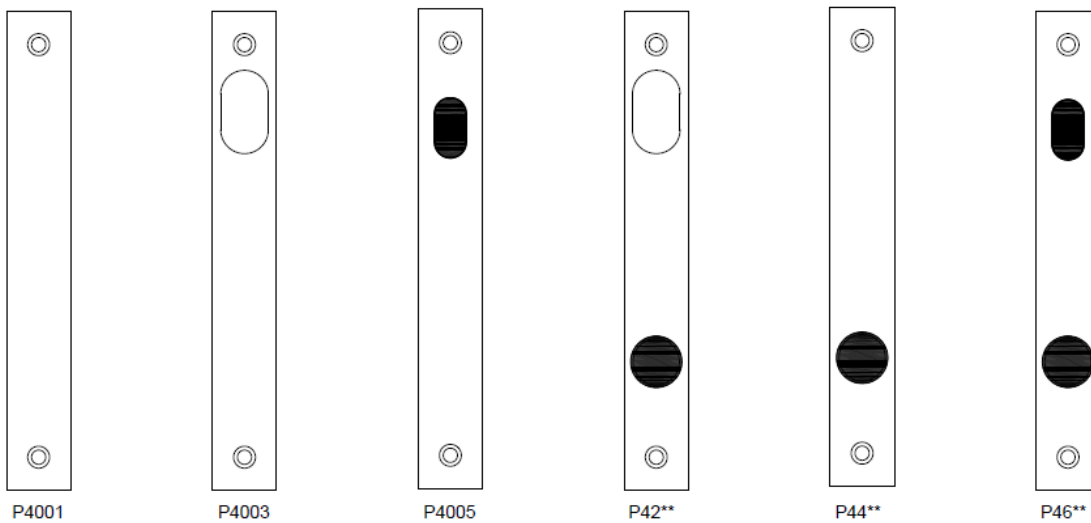
# Technical Data Sheet

## EXTERNAL PLATES



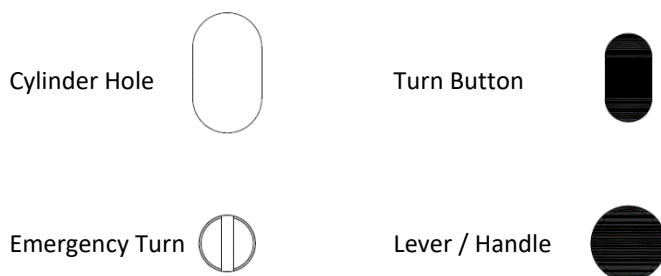
**Note:** for complete product code replace \*\* with lever number eg – P4112

## INTERNAL PLATES



**Note:** for complete product code replace \*\* with lever number eg – P4212

## PLATE LEGEND



# Technical Data Sheet

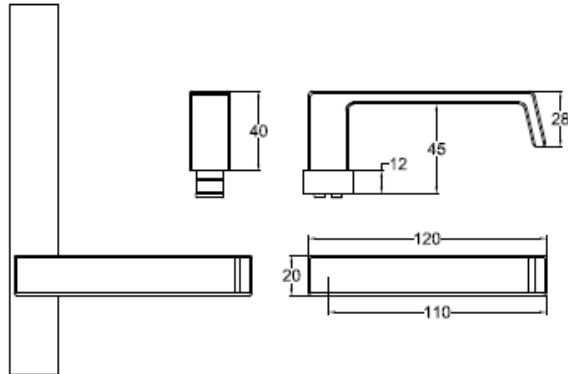
## LEVERS

### Lever 26

Overall Length: 120mm  
Total Projection: 52mm  
Finger Clearance: 45mm



AS1428.1 Compliant

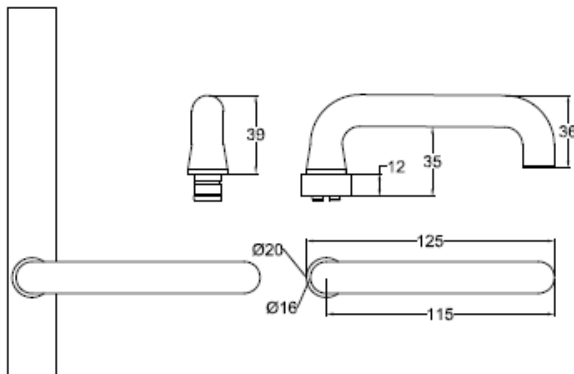


### Lever 27

Overall Length: 125mm  
Total Projection: 51mm  
Finger Clearance: 35mm



AS1428.1 Compliant



## 4000 SERIES PRODUCT CODES

Product Code	Description	Finish
P4000	External Plate Plain	SSS, BLK
P4001	Internal Plate Plain	SSS, BLK
P4002	External Plate Cylinder only	SSS, BLK
P4003	Internal Plate Cylinder only	SSS, BLK
P4005	Internal Plate Turn Button only	SSS, BLK
P4126	External Plate Cylinder & Lever 26	SSS, BLK
P4127	External Plate Cylinder & Lever 27	SSS, BLK
P4226	Internal Plate Cylinder & Lever 26	SSS, BLK
P4226	Internal Plate Cylinder & Lever 26	SSS, BLK
P4326	External Plate Plain & Lever 26	SSS, BLK
P4327	External Plate Plain & Lever 27	SSS, BLK
P4426	Internal Plate Plain & Lever 26	SSS, BLK
P4427	Internal Plate Plain & Lever 27	SSS, BLK
P4526	External Plate Emergency Release & Lever 26	SSS, BLK
P4527	External Plate Emergency Release & Lever 27	SSS, BLK
P4626	Internal Plate Turn Button & Lever 26	SSS, BLK
P4627	Internal Plate Turn Button & Lever 27	SSS, BLK

**\*Note:** Add finish code to complete product code when ordering

McCallum Australia Pty Ltd reserve the right to change the specification without notice.

Last update: March 2024

# Technical Data Sheet

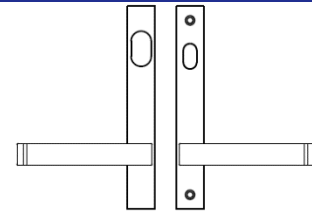


## 4000 SERIES DOOR FURNITURE KITS

### ENTRANCE KIT

PRODUCT CODE	DESCRIPTION
P4026-01	Entrance - Door Furniture Kit

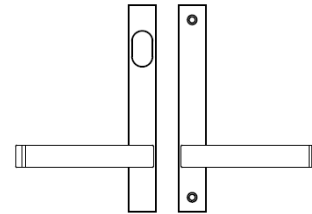
**OUTSIDE:** External Plate Cylinder & Lever 26  
**INSIDE:** Internal Plate Turn Button & Lever 26



### SINGLE CYLINDER KIT

PRODUCT CODE	DESCRIPTION
P4026-02	Single Cylinder - Door Furniture Kit

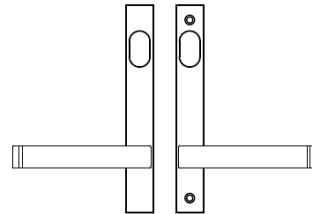
**OUTSIDE:** External Plate Cylinder & Lever 26  
**INSIDE:** Internal Plate Plain Lever 26



### DOUBLE CYLINDER KIT

PRODUCT CODE	DESCRIPTION
P4026-03	Double Cylinder - Door Furniture Kit

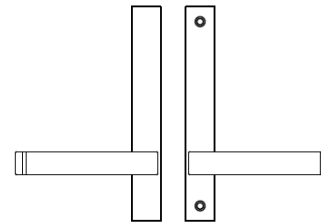
**OUTSIDE:** External Plate Cylinder & Lever 26  
**INSIDE:** Internal Plate Cylinder & Lever 26



### PASSAGE KIT

PRODUCT CODE	DESCRIPTION
P4026-04	Passage - Door Furniture Kit

**OUTSIDE:** External Plate Plain Lever 26  
**INSIDE:** Internal Plate Plain Lever 26



Product Code	Description	Finish
P4026-01	Entrance Door Furniture Kit	SSS, BLK
P4026-02	Single Cylinder Door Furniture Kit	SSS, BLK
P4026-03	Double Cylinder Door Furniture Kit	SSS, BLK
P4026-04	Passage Door Furniture Kit	SSS, BLK

**\*Note:** Add finish code to complete product code when ordering

# Technical Data Sheet

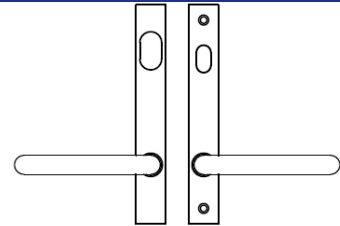


## 4000 SERIES DOOR FURNITURE KITS

### ENTRANCE KIT

**PRODUCT CODE**                      **DESCRIPTION**  
P4027-01                                  Entrance - Door Furniture Kit

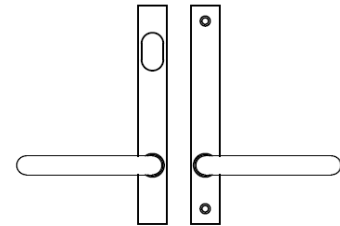
**OUTSIDE:**      External Plate Cylinder & Lever 27  
**INSIDE:**        Internal Plate Turn Button & Lever 27



### SINGLE CYLINDER KIT

**PRODUCT CODE**                      **DESCRIPTION**  
P4027-02                                  Single Cylinder - Door Furniture Kit

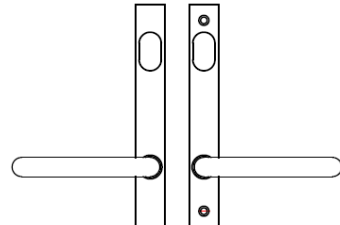
**OUTSIDE:**      External Plate Cylinder & Lever 27  
**INSIDE:**        Internal Plate Plain Lever 27



### DOUBLE CYLINDER KIT

**PRODUCT CODE**                      **DESCRIPTION**  
P4027-03                                  Double Cylinder - Door Furniture Kit

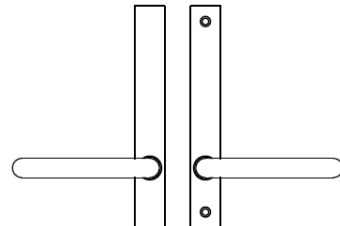
**OUTSIDE:**      External Plate Cylinder & Lever 27  
**INSIDE:**        Internal Plate Cylinder & Lever 27



### PASSAGE KIT

**PRODUCT CODE**                      **DESCRIPTION**  
P4027-04                                  Passage - Door Furniture Kit

**OUTSIDE:**      External Plate Plain Lever 27  
**INSIDE:**        Internal Plate Plain Lever 27



Product Code	Description	Finish
P4026-01	Entrance Door Furniture Kit	SSS, BLK
P4026-02	Single Cylinder - Door Furniture Kit	SSS, BLK
P4026-03	Double Cylinder - Door Furniture Kit	SSS, BLK
P4026-04	Passage Door Furniture Kit	SSS, BLK

**\*Note:** Add finish code to complete product code when ordering