



Quality Products Since 1939

General Hardware

About McCallum Australia

McCallum Australia has been manufacturing high quality hardware products for the Australian market since 1939.

Our products are designed and developed in Australia, made from the highest quality materials and processes to exceed the high demands of Australian Standards and the market.

McCallum Australia is the pre-eminent hinge manufacturer for Australia. Our products have been used in hundreds of thousands of projects across Australia – including some of the most prominent such as, The Sydney Opera House, New Parliament House Canberra, and Crown Casino.

McCallum's pioneered the extruded aluminium hinge that features aluminium pressed endcaps, keyed flanged nylon bearings and stainless-steel hinge pins. We have included these innovative design features in our popular heavy duty fast-fix hinge range.

Our range of products are used extensively throughout the Australian market and are sort after by tradespeople, specifiers and technicians for new projects, repairs, refurbishments, and retrofits.

McCallum Australia products are sought for their key attributes:

- Quality
- Reliability
- Technical innovation
- Value

We support this with a focus on strong customer support.

McCallum representatives and stockists would be pleased to discuss and offer advice regarding your hardware requirements.

For additional technical information please contact us

+61 2 9698 5111

sales@mccallumhinges.com.au



Contents

About McCallum Australia.....	1
Panic Bolts	3
Visible Fix Panic Bolts.....	4
Offset Panic Bolts.....	4
Reverse Barrel Bolts.....	5
Flush Pulls	6
Door Stops and Holders.....	7
Magnetic Door Holders.....	7
Wall Mounted Door Stops	7
Floor Mounted Door Stops.....	10
Notes:	11

Panic Bolts

The McCallum Panic (skeleton) Bolt range has been designed for use in commercial, residential applications. These bolts are suitable for installation to open-in or open-out timber, aluminium/metal doors and or gates.

Manufactured from high quality stainless steel to meet the strength and durability required for use in the Australian commercial, industrial and fabrication door market.



SPECIFICATION

Bolt Material:

Stainless steel 304 grade

Strike Plate:

Stainless steel 304 grade

Door Type:

Suits bolt Timber and Aluminium Doors

Bolt Staple/Guide:

Stainless steel 304 grade with Nylon Insert

Bolt Throw:

Standard bolt throw 45mm

Door Type:

Suits bolt Timber and Aluminium Doors

Styles:

Visible Fix Straight

Visible Offset

Fixings:

Panic bolts supplied standard with timber fixing screws.

Standard Lengths:

Visible Fix	Offset
250mm	300mm
300mm	450mm
450mm	600mm
600mm	900mm
900mm	

Warranty:

10 Year mechanical

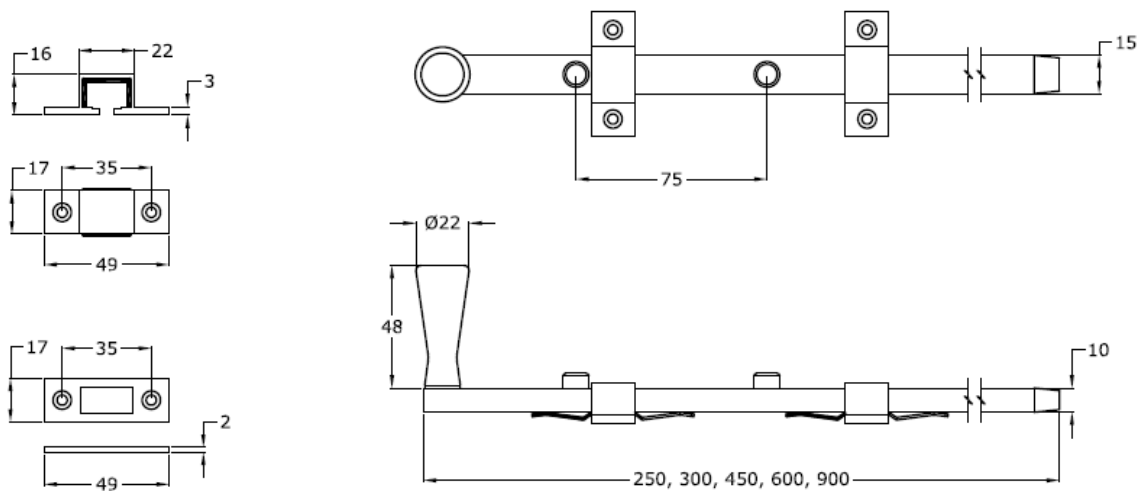
Finishes:

SSS: Satin Stainless Steel

PSS: Polished Stainless Steel

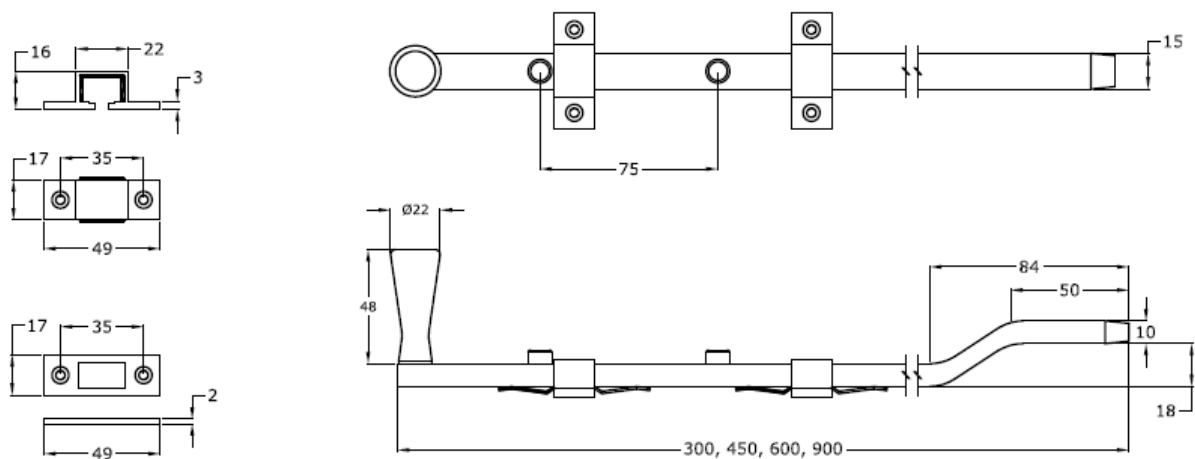
BLK: Black

Visible Fix Panic Bolts



Product Code	Description	Finish
PBV-25	Panic Bolt Visible Fix 250mm	SSS, BLK, PSS
PBV-30	Panic Bolt Visible Fix 300mm	SSS, BLK, PSS
PBV-45	Panic Bolt Visible Fix 450mm	SSS, BLK, PSS
PBV-60	Panic Bolt Visible Fix 600mm	SSS, BLK, PSS
PBV-90	Panic Bolt Visible Fix 900mm	SSS, BLK, PSS

Offset Panic Bolts



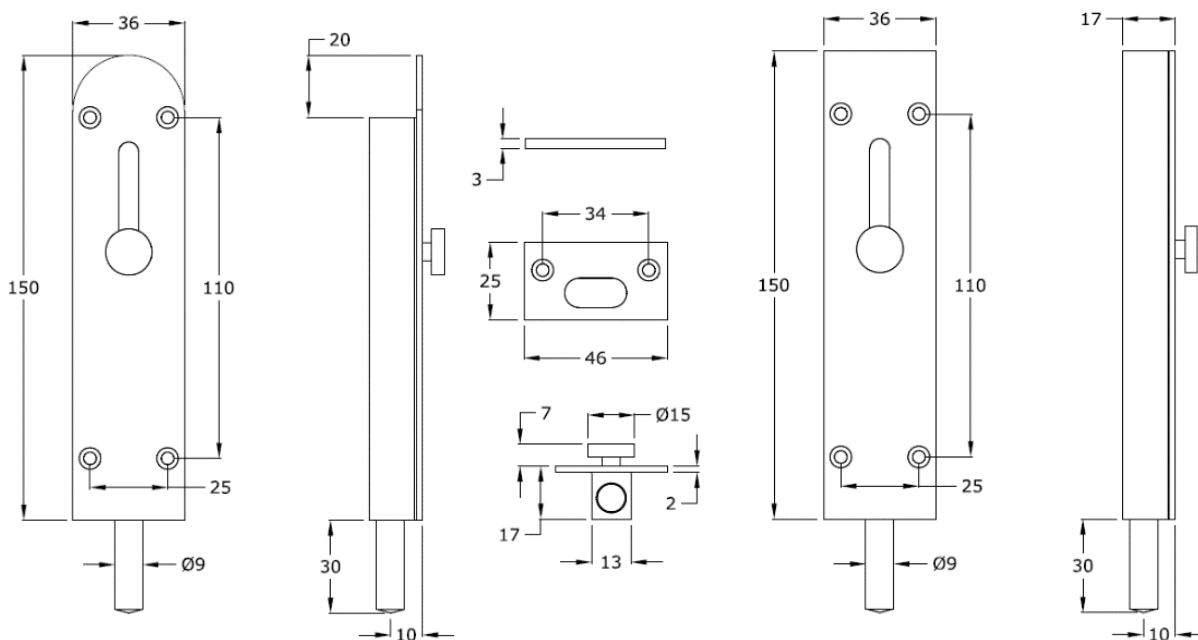
Product Code	Description	Finish
PBO-30	Panic Bolt Offset 300mm	SSS, BLK, PSS
PBO-45	Panic Bolt Offset 450mm	SSS, BLK, PSS
PBO-60	Panic Bolt Offset 600mm	SSS, BLK, PSS
PBO-90	Panic Bolt Offset 900mm	SSS, BLK, PSS

Reverse Barrel Bolts

The McCallum Reverse Barrel Bolts have been designed for use in the residential door applications. These bolts are suitable for installation to timber doors.

Manufactured from extruded Brass with stainless steel bolt for strength and durability.

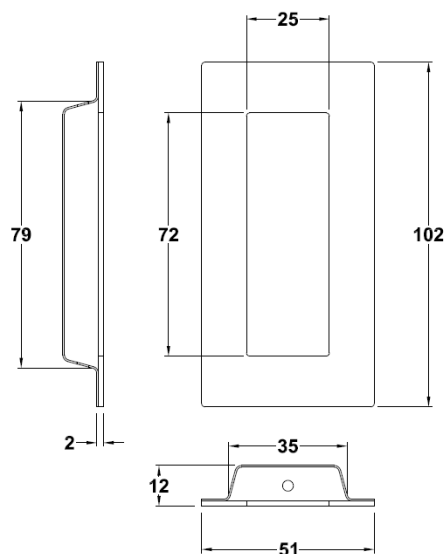
Supplied with timber fixing screws.



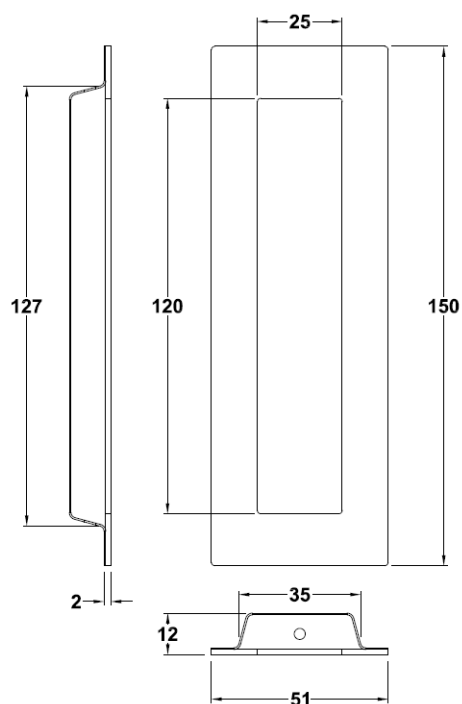
Product Code	Description	Finish
RBB01-01	Reverse Barrel Bolt Radius 150mm	SC, BLK, CP
RBB02-01	Reverse Barrel Bolt Square 150mm	SC, BLK, CP

Flush Pulls

The McCallum range of flush pulls are suitable for sliding doors and offers a range of sizes. The flush pulls are manufactured from high quality stainless steel and are supplied with fixing screws.



Product Code	Description	Finish
FP102	Rectangular Flush Pull 102 x 51mm	SSS, BLK, PSS



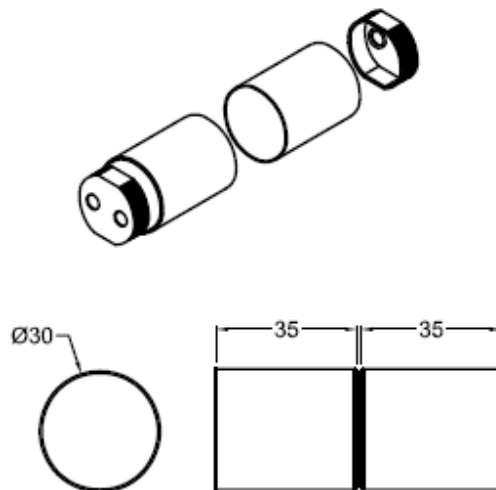
Product Code	Description	Finish
FP103	Rectangular Flush Pull 150 x 51mm	SSS, BLK, PSS

Door Stops and Holders

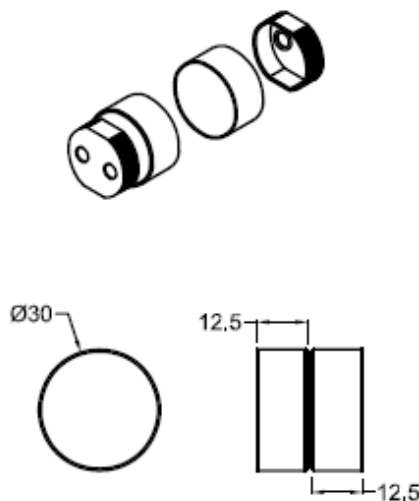
The McCallum range of door stops and holders are available in floor or wall mounted to suit most application.

The door stops are manufactured from premium quality materials and are supplied with fixing screws.

Magnetic Door Holders

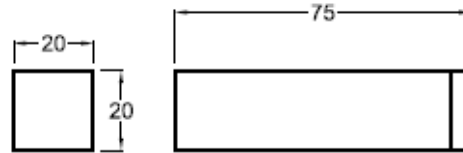
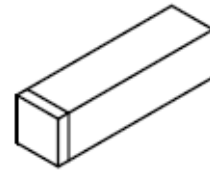
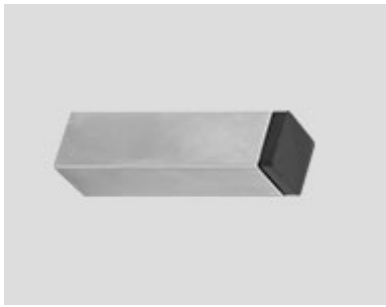


Product Code	Description	Finish
DS100	Magnetic Door Holder 70 x 30mm	SSS, BLK, PSS

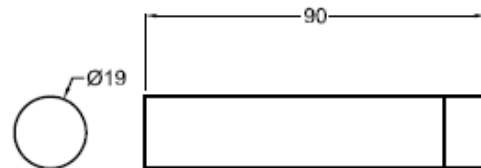
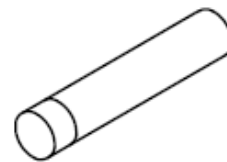


Product Code	Description	Finish
DS101	Magnetic Door Holder 25 x 30mm	SSS, BLK, PSS

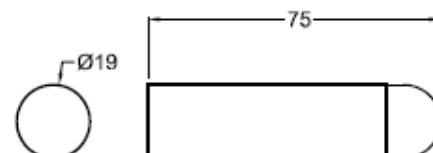
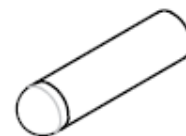
Wall Mounted Door Stops



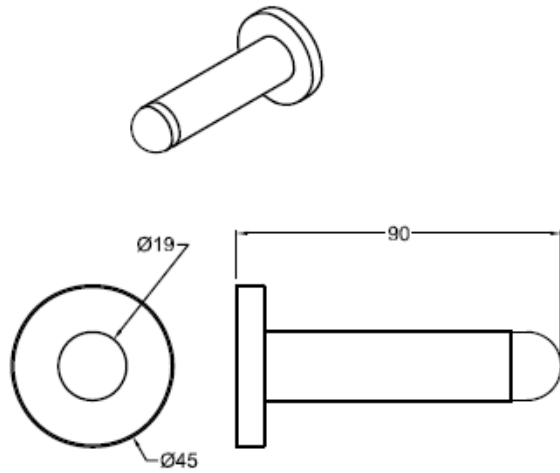
Product Code	Description	Finish
DS102	Square Wall Mounted Door Stop 75 x 20mm	SSS, BLK, PSS



Product Code	Description	Finish
DS103	Wall Mounted Door Stop Round 90 x 19mm	SSS, BLK, PSS

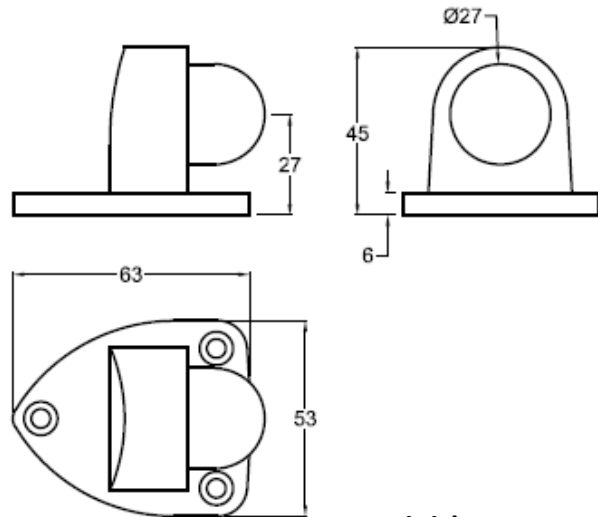


Product Code	Description	Finish
DS104	Wall Mounted Door Stop Round 75 x 19mm	SSS, BLK, PSS

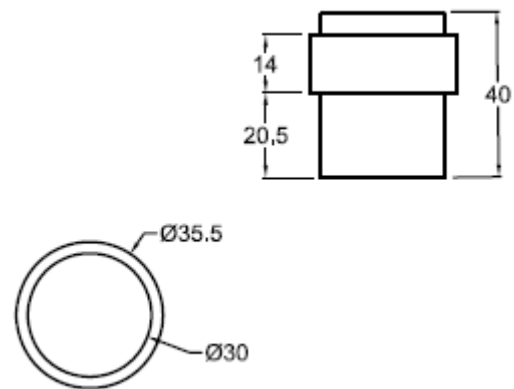


Product Code	Description	Finish
DS106	Wall Mounted Door Stop Round 90 x 19mm	SSS, BLK, PSS

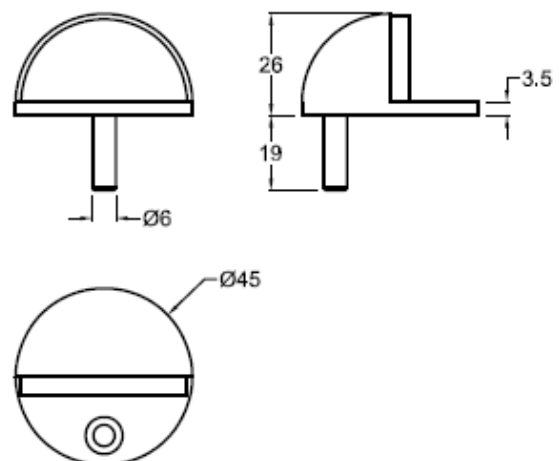
Floor Mounted Door Stops



Product Code	Description	Finish
DS107	Floor Mounted Door Stop	SC, BLK, CP



Product Code	Description	Finish
DS108	Floor Mounted Door Stop Round 30 \varnothing x 40mm	SSS, BLK, PSS



Product Code	Description	Finish
DS109	Floor Mounted Door Stop Half Moon	SC, BLK, CP

