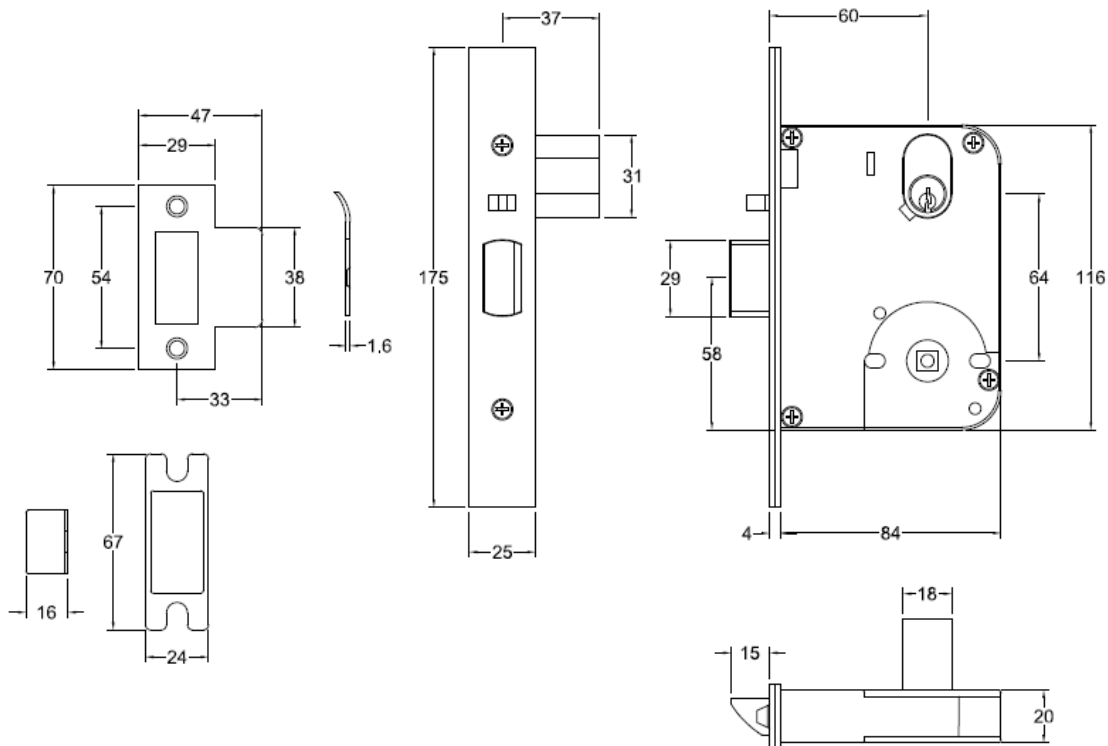


Technical Data Sheet

10000 Series Commercial Mortice Locks



SPECIFICATION

Lock Case:

Material high purity zinc alloy

Face Plate:

Stainless Steel 304 grade

Strike Plate:

Universal "T" Strike plate - Stainless Steel 304 grade

Backset:

Standard 60mm

Door Thickness:

32 - 50mm

Latchbolt:

Stainless Steel - 15mm projection

Auxiliary bolt:

Stainless Steel activates dead latching.

Handing:

Reversible latchbolt (non-handed)

Spindle Hub:

Accepts 7.6 & 8mm spindles.

Cylinder:

Oval Brass outer Cylinder and inner Barrel

Cylinder retention:

Spring Steel - Retaining Pin

Operation:

Multi-functional lock body allowing for simple switching from combination to vestibule locking functions.

Durability:

10000 Series Commercial Mortice Locks conform with level D8 (Durability) Australian Standard AS 4145.2-2008.

Security:

10000 Series Commercial Mortice Locks conform with level S5 (Physical Security) Australian Standard AS 4145.2-2008.

Fire Rated:

Successfully tested in accordance with Australian Standard AS 1905.1-2015.

Electric Strikes:

The 10000 Series Commercial Mortice Locks are compatible with most electric strikes.

Warranty:

10 Year mechanical

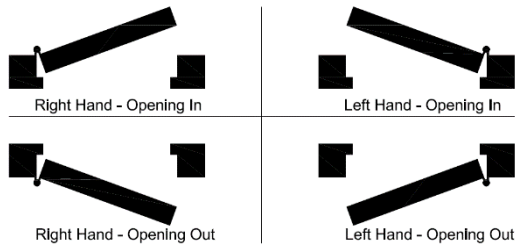
Finishes:

SSS: Satin Stainless Steel

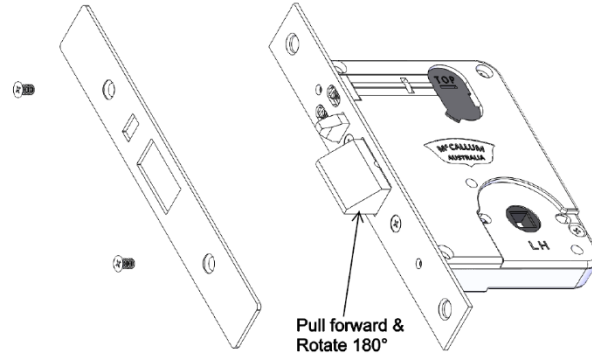
BLK: Black

Technical Data Sheet

DOOR HANDING GUIDE



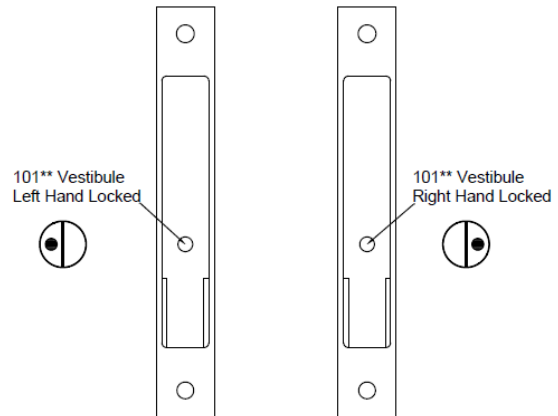
HANDING LATCHBOLT



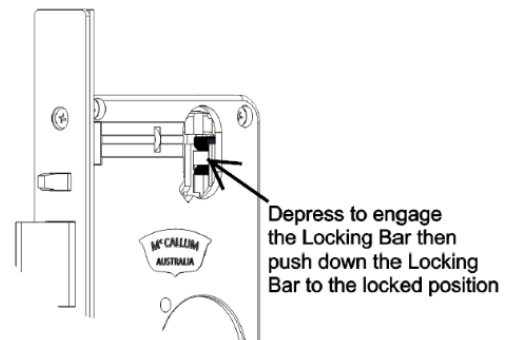
- 1: Remove Face Plate
- 2: Pull forward and rotate Latchbolt 180° to suit required door handing

SELECTING & SETTING LOCK FUNCTION

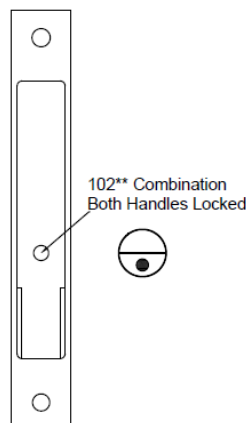
Vestibule 101 Functions:**
(Inside handle always free).
Using a small flat blade screwdriver rotate the selector to suit the door handing for the external handle to be locked.



**For Storeroom and Exit door functions the Locking Bar must be down in the locked position before installing the lock.

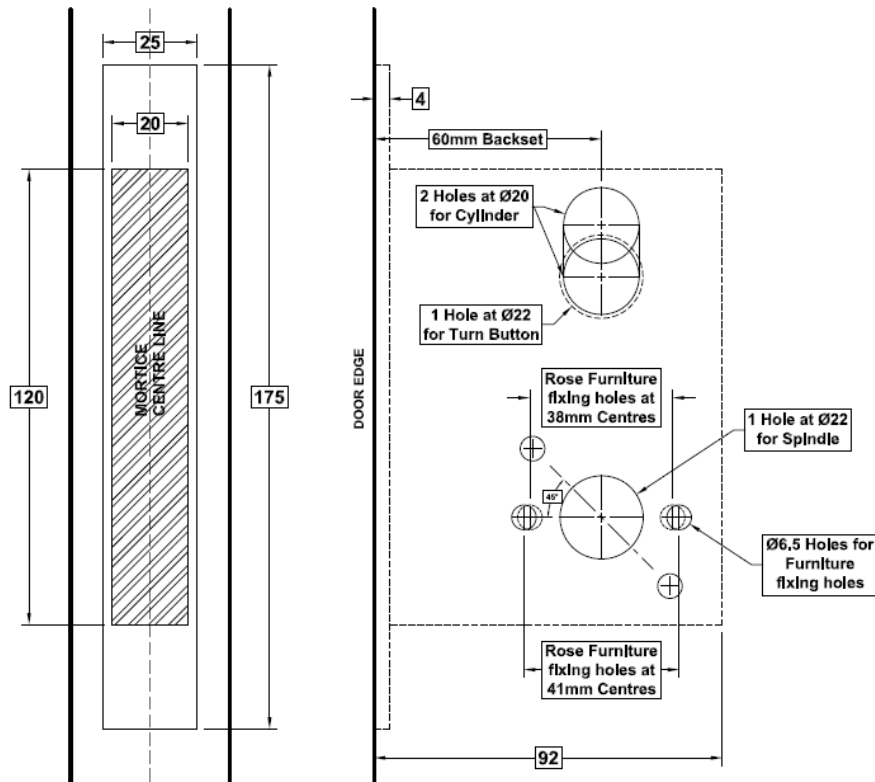


Combination 102 Functions:** (Both handles lock or unlocked). Using a small flat blade screwdriver rotate the selector to the position shown.



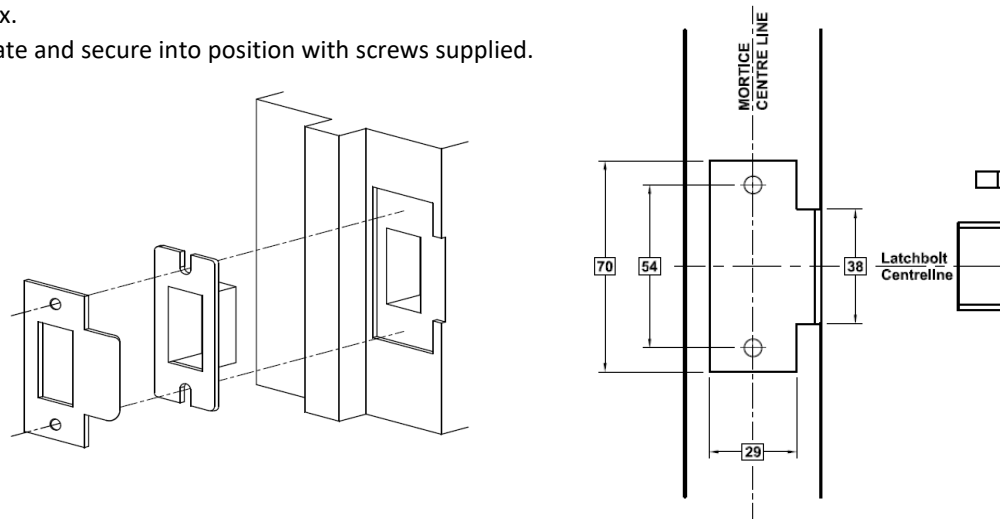
DOOR PREPARATION

- 1: Mark the centre line on the latch edge at the desired lock height.
- 2: Place supplied template to the door edge – mark & drill the mortice to a depth to suit the lock body (92mm)
- 3: Clean out the mortice - insert lock body scribe around the for-end plate, remove lock and chisel out the timber to a depth of 4mm making sure the face plate is flush with the door edge.
- 4: REMOVE LOCK – then using the template mark and drill the required Cylinder, Turn & Door Furniture holes from both sides of the door



STRIKE PLATE INSTALLATION

- 1: Prepare door frame for the Strike Plate aligning the centre of the Strike with the centre of the latchbolt.
- 2: Cut out frame to suit Strike Plate & Strike Box.
- 3: Insert Strike Box.
- 4: Install Strike Plate and secure into position with screws supplied.



Technical Data Sheet

10000 SERIES PRODUCT CODES

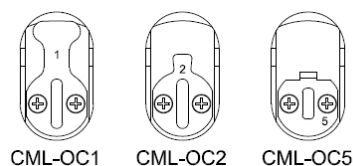
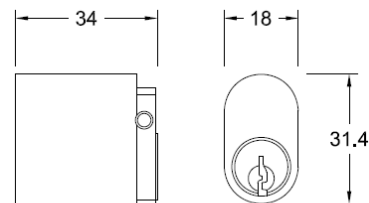
Product Code	Description	Finish
Vestibule Functions		
10116	Entrance / Office Door Lock	SSS, BLK
10156	Entrance Door Lock	SSS, BLK
10110	Storeroom Door Lock	SSS, BLK
10120	Classroom / Office Door Lock	SSS, BLK
10102	Exit Door Lock	SSS, BLK
10106	Exit Door Lock	SSS, BLK
10100	Exit Door Latch	SSS, BLK
Combination Functions		
10216	Entrance / Office Door Lock	SSS, BLK
10256	Entrance Door Lock	SSS, BLK
10222	Glass Door Lock	SSS, BLK
10206	Patio Door Lock	SSS, BLK
10200	Passage Door Latch	SSS, BLK

***Note:** Add finish code to complete product code when ordering, eg 10116SSS

Commercial Mortice Lock Cylinders & Accessories

Oval Cylinders

PRODUCT CODE	DESCRIPTION
CML-OC0	Oval Cylinder
CML-OC1	Oval Cylinder + #1Cam
CML-OC2	Oval Cylinder + #2Cam
CML-OC5	Oval Cylinder + #5Cam



Cylinders Cams

PRODUCT CODE	DESCRIPTION
CML-CAM1	#1 Cylinder Cam
CML-CAM2	#2 Cylinder Cam
CML-CAM5	#5 Cylinder Cam



Turn Adaptors

PRODUCT CODE	DESCRIPTION
CML-TA1	#1 Turn Adaptor
CML-TA6	#6 Turn Adaptor

