



*Quality Products Since 1939*

Commercial Mortice Lock  
& Door Furniture Kits

---

## About McCallum Australia

McCallum Australia has been manufacturing high quality hardware products for the Australian market since 1939.

Our products are designed and developed in Australia, made from the highest quality materials and processes to exceed the high demands of Australian Standards and the market.

McCallum Australia is the pre-eminent hinge manufacturer for Australia. Our products have been used in hundreds of thousands of projects across Australia – including some of the most prominent such as, The Sydney Opera House, New Parliament House Canberra, and Crown Casino.

McCallum's pioneered the extruded aluminium hinge that features aluminium pressed endcaps, keyed flanged nylon bearings and stainless-steel hinge pins. We have included these innovative design features in our popular heavy duty fast-fix hinge range.

Our range of products are used extensively throughout the Australian market and are sort after by tradespeople, specifiers and technicians for new projects, repairs, refurbishments, and retrofits.

McCallum Australia products are sought for their key attributes:

- Quality
- Reliability
- Technical innovation
- Value

We support this with a focus on strong customer support.

McCallum representatives and stockists would be pleased to discuss and offer advice regarding your hardware requirements.

For additional technical information please contact us

+61 2 9698 5111

[sales@mccallumhinges.com.au](mailto:sales@mccallumhinges.com.au)



---

## Contents

About McCallum Australia.....	1
Narrow Stile Commercial Mortice Locks.....	3
11000 series Lock & 4000 series Door Furniture Kits.....	4
11000 series Lock & 4000 series Door Furniture Kits (Less Cylinder).....	7
Lever Dimensions.....	8
11000 series Lock Dimensions.....	9
12000 series Lock & 4000 series Door Furniture Kits.....	10
12000 series Lock & 4000 series Door Furniture Kits (Less Cylinder).....	14
Lever Dimensions.....	17
12000 series Lock Dimensions.....	18
Commercial Mortice Lock.....	19
10000 series Lock & 3000 series Door Furniture Kits.....	20
Lever Dimensions.....	22
10000 series Lock & 3000 series Door Furniture Kits (Less Cylinder).....	23
10000 series Lock & 5000 series Door Furniture Kits.....	24
10000 series Lock & 5000 series Door Furniture Kits (Less Cylinder).....	27
Lever Dimensions.....	29
10000 series Lock Dimensions.....	30
Notes:.....	31

---

## Narrow Stile Commercial Mortice Locks

The McCallum 11000 and 12000 Series commercial mortice locks have been manufactured to meet the requirements of the Australian market. Using high quality materials to meet the durability and strength required for use in the commercial, industrial building and fabrication swing door market.

Both the 11000 and 12000 series locks are multi-functional allowing simple switching between vestibule and combination locking functions by an external operation prior to installation.



### SPECIFICATION

**Lock Case:**

Material high purity zinc alloy

**Face Plate:**

Stainless steel 304 grade

**Strike Plate:**

Stainless steel 304 grade Universal "T"-strike plate

**Backset:**

11000 series 23mm backset  
12000 series 30mm backset

**Door Thickness:**

32 - 50mm

**Latchbolt:**

Stainless steel 15mm projection

**Auxiliary Bolt:**

Stainless steel activates deadlatching

**Handing:**

Reversible latchbolt (non-handed)

**Spindle Hub:**

Accepts 7.6 & 8mm spindles

**Cylinder:**

Brass Oval outer cylinder and inner barrel  
C4-6 Pin standard keyway

**Cylinder Retention:**

Threaded retaining screw

**Operation:**

Multi-functional lock body allowing for simple switching from combination to vestibule lock functions.

**Durability:**

11000 Series Commercial Mortice Locks conform with level D8 (Durability) Australian Lock Standard (AS 4145.2-2008).

**Security:**

11000 Series Commercial Mortice Locks conform with level S5 (Physical Security) Australian Lock Standard (AS 4145.2-2008).

**Electric Strikes:**

The 11000 Series Commercial Mortice Locks are compatible with most electric strikes

**Warranty:**

10 Year mechanical

**Finishes:**

SSS: Satin Stainless Steel  
BLK: Black

---

## 11000 series Lock & 4000 series Door Furniture Kits

---

### 1127-01 ENTRANCE / OFFICE DOOR LOCK & DOOR FURNITURE KIT

**LOCK FUNCTION:**

**OUTSIDE:**

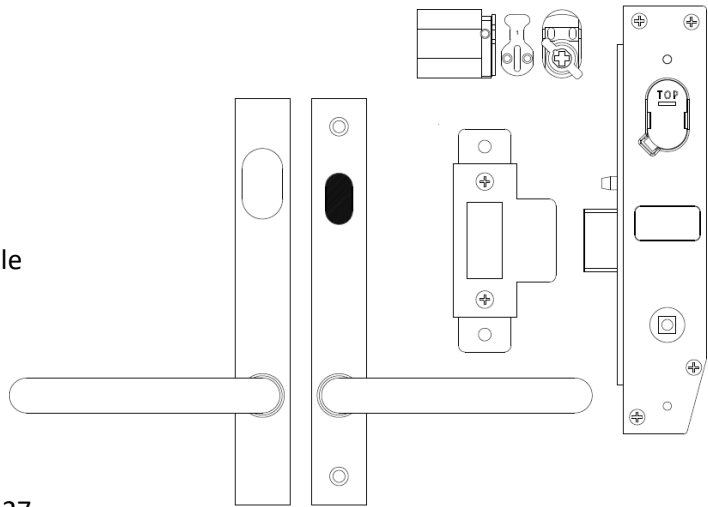
Key retracts latchbolt

**INSIDE:**

Turn Button locks & unlocks outside handle  
Inside handle free at all times

**Kit inclusions:**

11116 Entrance / Office Door Lock  
P4127 External Plate Cylinder & Lever 27  
P4627 Internal Plate Turn Button & Lever 27



---

### 1127-02 ENTRANCE DOOR LOCK & DOOR FURNITURE KIT

**LOCK FUNCTION**

**OUTSIDE:**

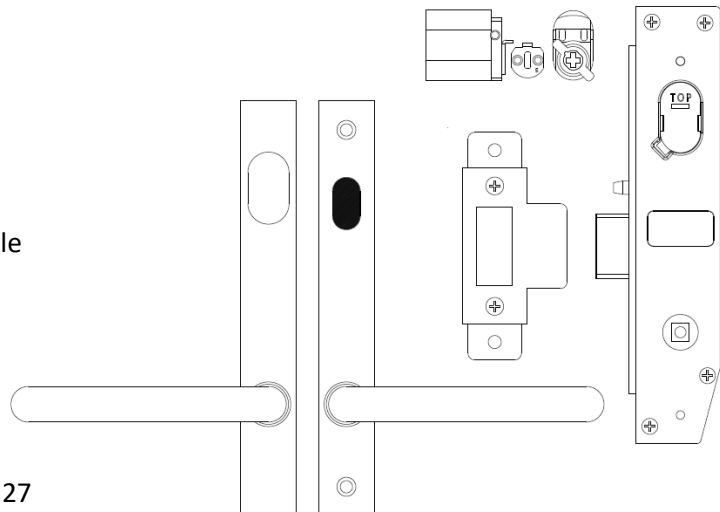
Key locks & unlock outside handle

**INSIDE:**

Turn Button locks & unlocks outside handle  
Inside handle free at all times

**Kit inclusions:**

11156 Entrance / Office Door Lock  
P4127 External Plate Cylinder & Lever 27  
P4627 Internal Plate Turn Button & Lever 27



---

### 1127-03 GLASS DOOR LOCK & DOOR FURNITURE KIT

**LOCK FUNCTION**

**OUTSIDE:**

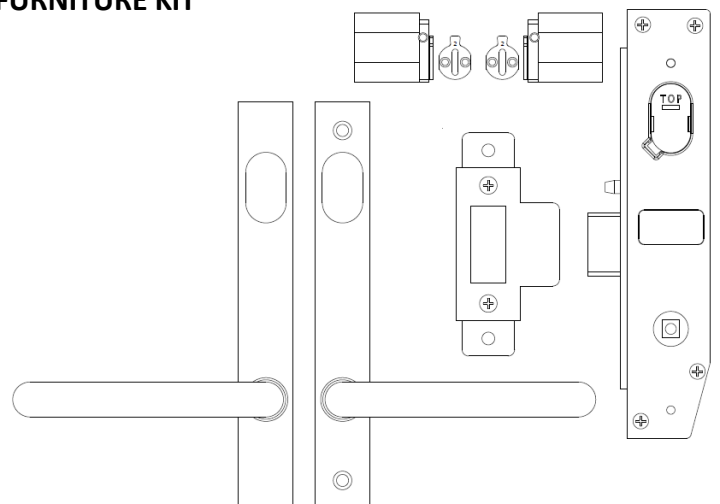
Key locks & unlocks both handles

**INSIDE:**

Key locks & unlocks both handles

**Kit inclusions:**

11222 Glass Door Lock  
P4127 External Plate Cylinder & Lever 27  
P4227 Internal Plate Cylinder & Lever 27



---

## 1127-04 STOREROOM DOOR LOCK & DOOR FURNITURE

### LOCK FUNCTION

#### OUTSIDE:

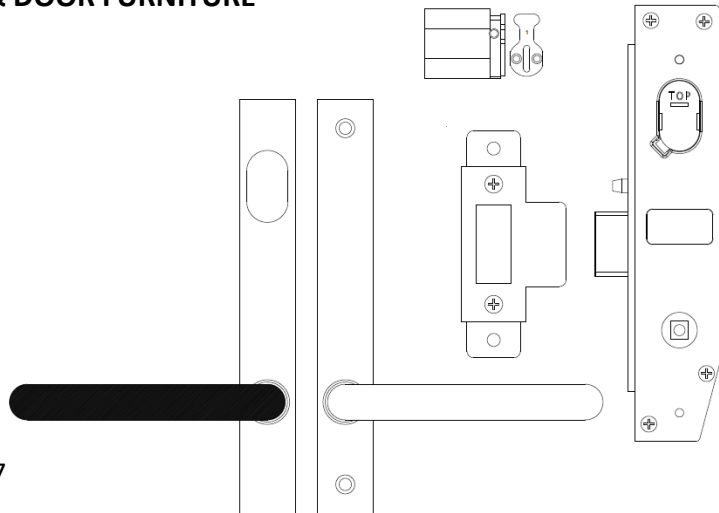
Key retracts the latchbolt  
Outside handle inoperative

#### INSIDE:

Inside handle free at all times

#### Kit inclusions:

11110 Storeroom Door Lock  
P4127 External Plate Cylinder & Lever 27  
P4427 Internal Plate Plain & Lever 27



---

## 1127-05 CLASSROOM DOOR LOCK & DOOR FURNITURE

### LOCK FUNCTION

#### OUTSIDE:

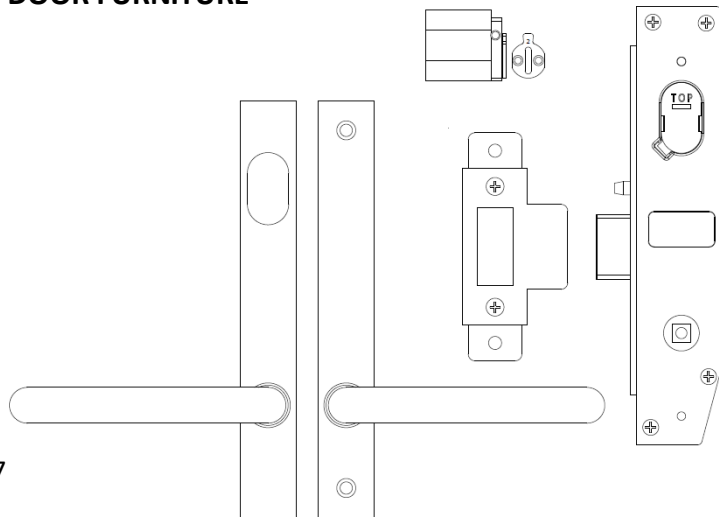
Key locks & unlocks outside handle

#### INSIDE:

Inside handle free at all times

#### Kit inclusions:

11120 Classroom / Office Door Lock  
P4127 External Plate Cylinder & Lever 27  
P4427 Internal Plate Plain & Lever 27



---

## 1127-06 EXTERIOR ESCAPE DOOR LOCK & DOOR FURNITURE

### LOCK FUNCTION

#### OUTSIDE:

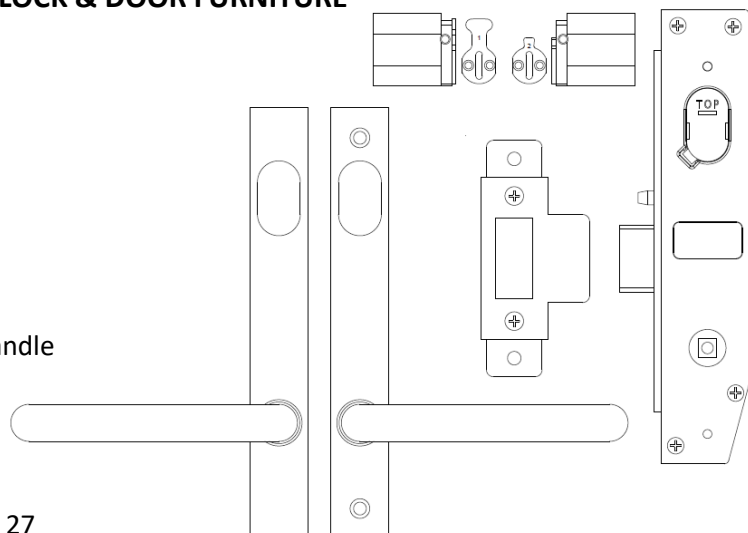
Key retracts the latchbolt  
Outside handle locked or unlocked by  
Key inside

#### INSIDE:

Key locks & unlocks outside handle  
Inside handle free at all times

#### Kit inclusions:

11112 Exterior Escape Door Lock  
P4127 External Plate Cylinder & Lever 27  
P4227 Internal Plate Cylinder & Lever 27



## 1127-07 PASSAGE DOOR LATCH & DOOR FURNITURE KIT

### LOCK FUNCTION

#### OUTSIDE:

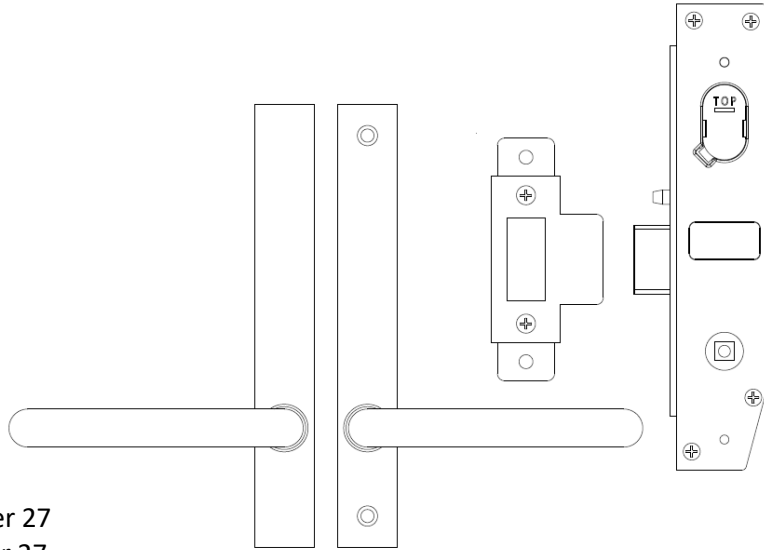
Handle retracts the latchbolt

#### INSIDE:

Handle retracts the latchbolt

#### Kit inclusions:

- 11200 Passage Door Latch
- P4127 External Plate Cylinder & Lever 27
- P4227 Internal Plate Cylinder & Lever 27



## 1127-08 EXIT DOOR LOCK & DOOR FURNITURE KIT

### LOCK FUNCTION

#### OUTSIDE:

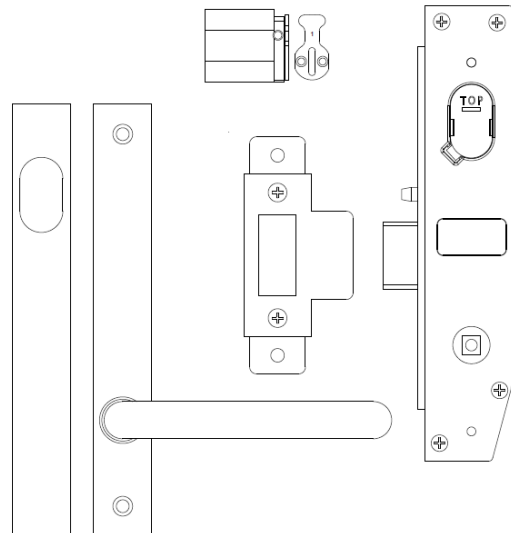
Key retracts the latchbolt  
No external handle

#### INSIDE:

Inside handle free at all times

#### Kit inclusions:

- 11110 Storeroom Door Lock
- P4002 External Plate Cylinder hole only
- P4427 Internal Plate Plain & Lever 27



Product Code	Description	Finish
1127-01	Entrance Door Lock & Door Furniture Kit	SSS, BLK
1127-02	Office Door Lock & Door Furniture Kit	SSS, BLK
1127-03	Glass Door Lock & Door Furniture Kit	SSS, BLK
1127-04	Storeroom Door Lock & Door Furniture Kit	SSS, BLK
1127-05	Classroom Door Lock & Door Furniture Kit	SSS, BLK
1127-06	Exterior Door Lock & Door Furniture Kit	SSS, BLK
1127-07	Passage Latch & Door Furniture Kit	SSS, BLK
1127-08	Exterior Exit Door Lock & Door Furniture Kit	SSS, BLK

---

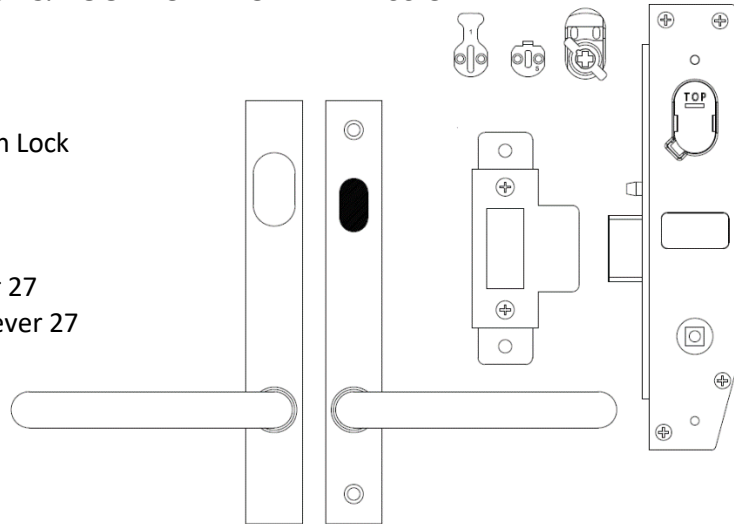
## 11000 series Lock & 4000 series Door Furniture Kits (Less Cylinder)

---

### 1127-156LC ENTRANCE DOOR LOCK & DOOR FURNITURE KIT LESS CYLINDER

**Kit inclusions:**

- 11000 Primary Vestibule/Combination Lock
- CML-CAM1 #1 Cylinder Cam
- CML-CAM5 #5 Cylinder Cam
- CML-TA6 #6 Turn Adaptor
- P4127 External Plate Cylinder & Lever 27
- P4627 Internal Plate Turn Button & Lever 27

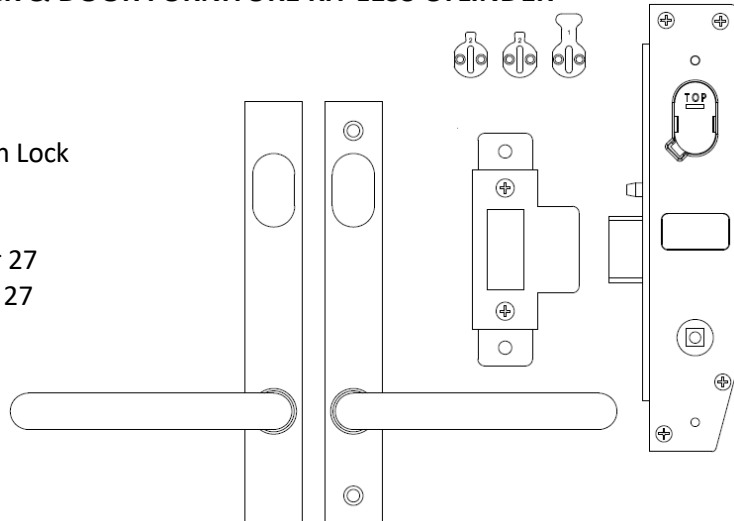


---

### 1127-22LC DOUBLE CYLINDER LOCK & DOOR FURNITURE KIT LESS CYLINDER

**Kit inclusions:**

- 11000 Primary Vestibule/Combination Lock
- 2 x CML-CAM2 #2 Cylinder Cam
- CML-CAM1 #1 Cylinder Cam
- P4127 External Plate Cylinder & Lever 27
- P4227 Internal Plate Cylinder & Lever 27

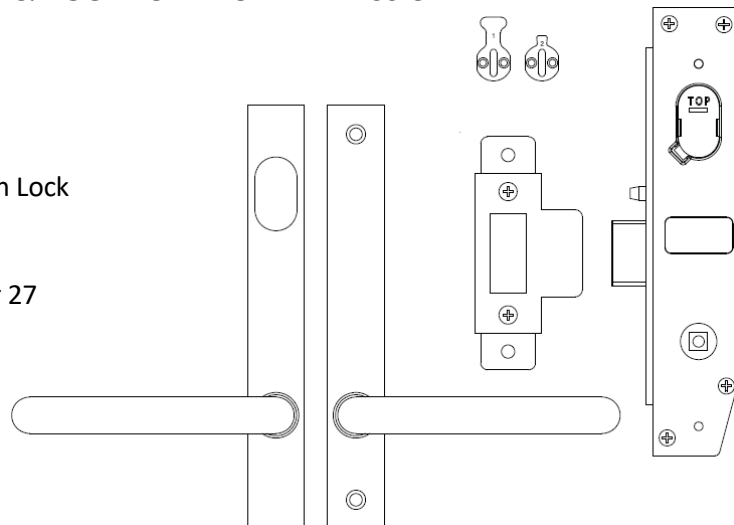


---

### 1127-12LC SINGLE CYLINDER LOCK & DOOR FURNITURE KIT LESS CYLINDER

**Kit inclusions:**

- 11000 Primary Vestibule/Combination Lock
- CML-CAM1 #1 Cylinder Cam
- CML-CAM2 #2 Cylinder Cam
- P4127 External Plate Cylinder & Lever 27
- P4427 Internal Plate Plain & Lever 27





Product Code	Description	Finish
1127-156LC	Single Cylinder & Turn Lock + Door Furniture Kit Less Cyl	SSS, BLK
1127-22LC	Double Cylinder Lock & Door Furniture Kit (Less Cyl)	SSS, BLK
1127-12LC	Single Cylinder Lock & Door Furniture Kit (Less Cyl)	SSS, BLK

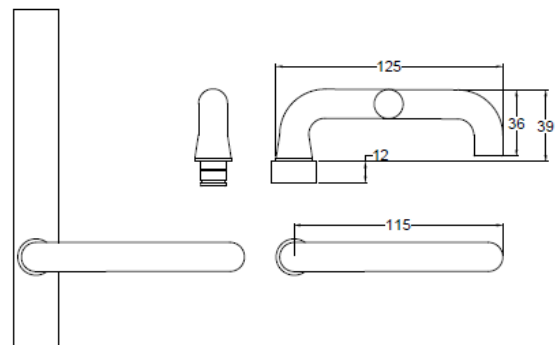
## Lever Dimensions

### Lever 27

Overall Length:	125mm
Total Projection:	51mm
Finger Clearance:	39mm
Plate Length x Width	186 x 25mm
Plate Height	12mm

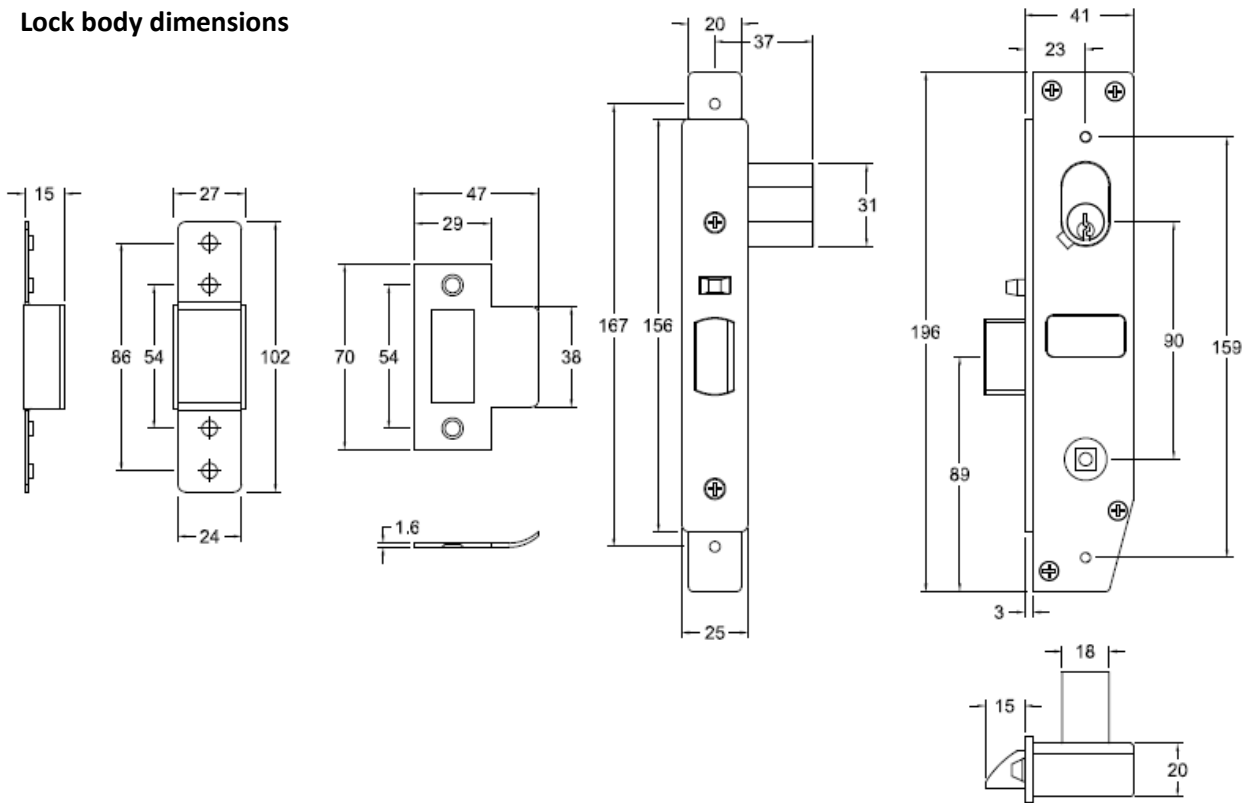


AS1428.1 Compliant

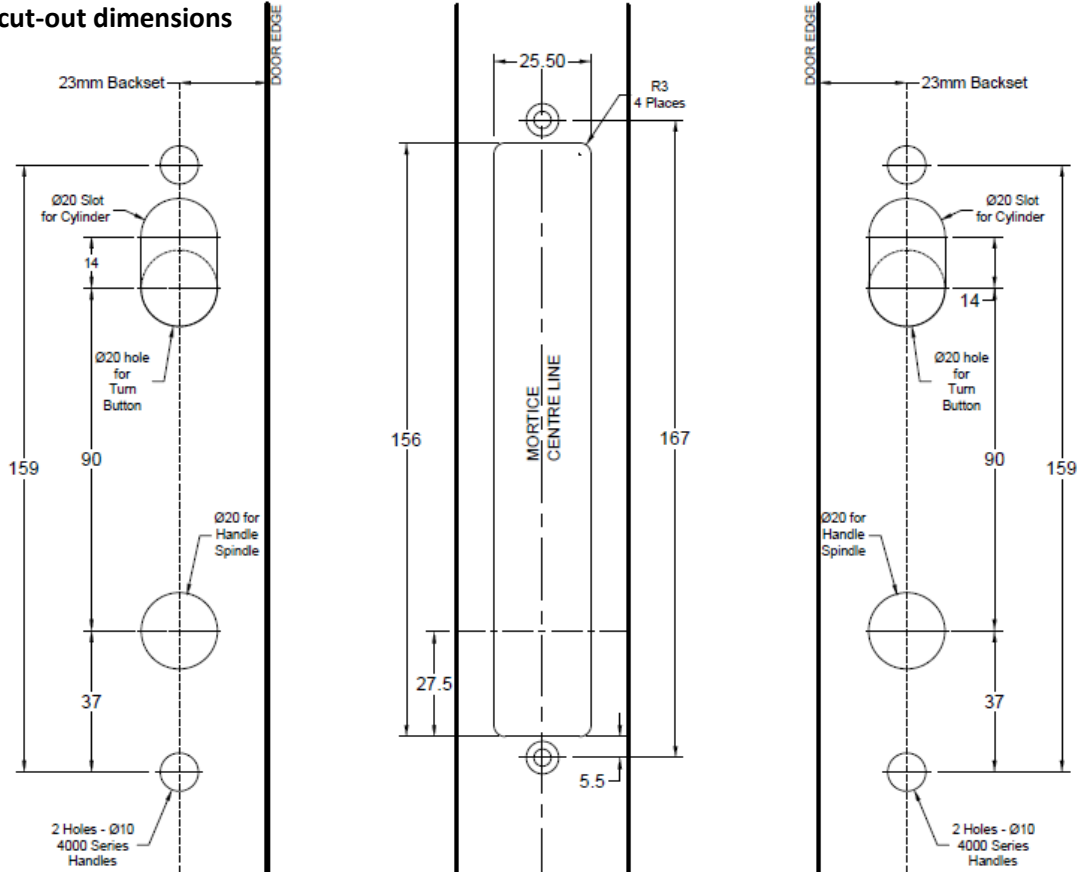


# 11000 series Lock Dimensions

## Lock body dimensions



## Lock cut-out dimensions



---

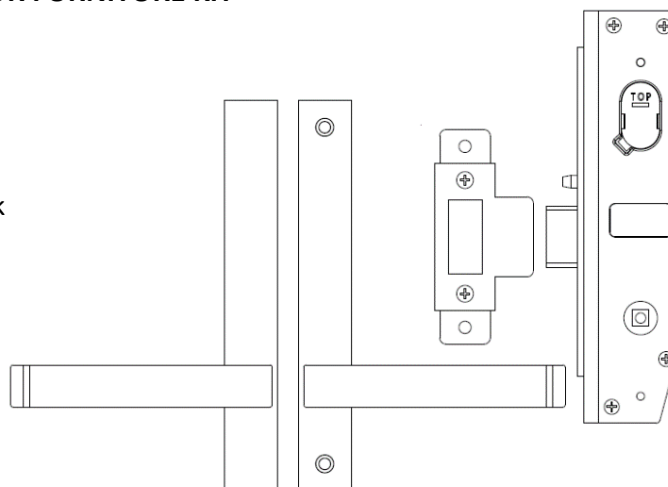
## 12000 series Lock & 4000 series Door Furniture Kits

---

### 1226-00 PASSAGE DOOR LATCH & DOOR FURNITURE KIT

**Kit inclusions:**

- 12000 Primary Vestibule/Combination Lock
- P4126 External Plate Cylinder & Lever 26
- P4226 Internal Plate Cylinder & Lever 26

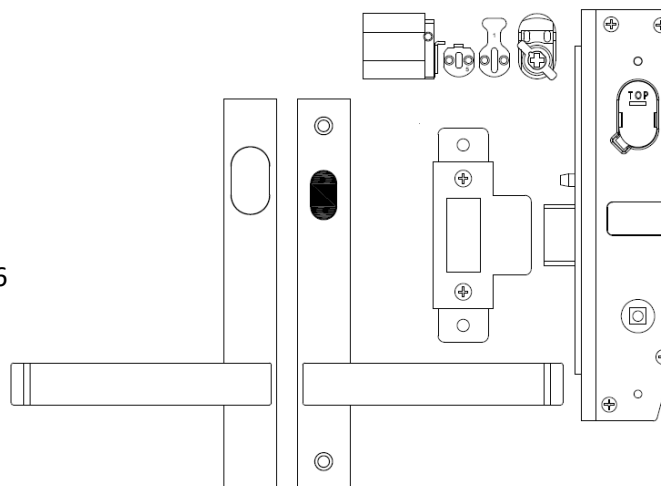


---

### 1226-01 ENTRANCE / OFFICE DOOR LOCK & DOOR FURNITURE KIT

**Kit inclusions:**

- 12000 Primary Vestibule/Combination Lock
- CML-OC5 Oval Cylinder #5Cam
- CML-CAM1 #1 Cylinder Cam
- CML-TA6 #6 Turn Adaptor
- P4126 External Plate Cylinder & Lever 26
- P4626 Internal Plate Turn Button & Lever 26

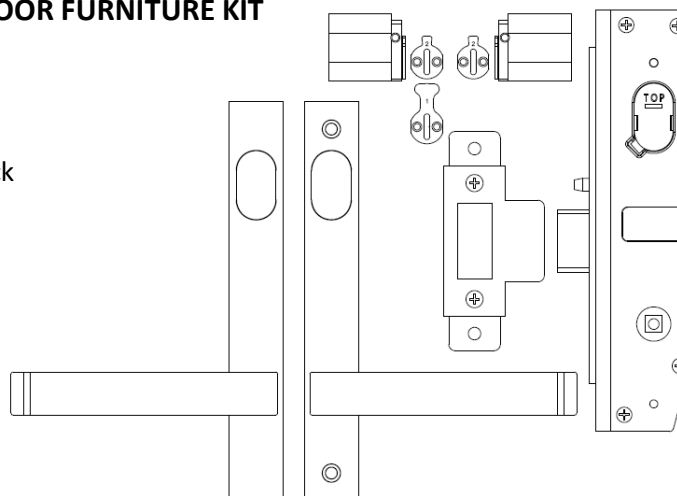


---

### 1226-02 DOUBLE CYLINDER LOCK & DOOR FURNITURE KIT

**Kit inclusions:**

- 12000 Primary Vestibule/Combination Lock
- CML-OC2 Oval Cylinder #2Cam x 2
- CML-CAM1 #1 Cylinder Cam
- P4126 External Plate Cylinder & Lever 26
- P4226 Internal Plate Cylinder & Lever 26



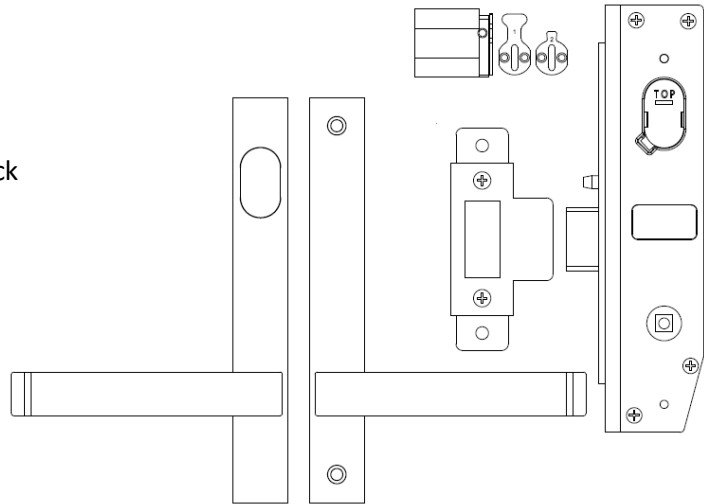
---

---

## 1226-03 STOREROOM/ CLASSROOM DOOR LOCK & DOOR FURNITURE

### Kit inclusions:

- 12000 Primary Vestibule/Combination Lock
- CML-OC1 Oval Cylinder #1Cam
- CML-CAM2 #2 Cylinder Cam
- P4126 External Plate Cylinder & Lever 26
- P4426 Internal Plate Plain & Lever 26



---

Product Code	Description	Finish
1226-00	Primary Vest/Comb Lock + Door Furniture Kit	SSS, BLK
1226-01	Single Cylinder, Turn Lock + Door Furniture Kit	SSS, BLK
1226-02	Double Cylinder Lock + Door Furniture Kit	SSS, BLK
1226-03	Single Cylinder Lock + Door Furniture Kit	SSS, BLK

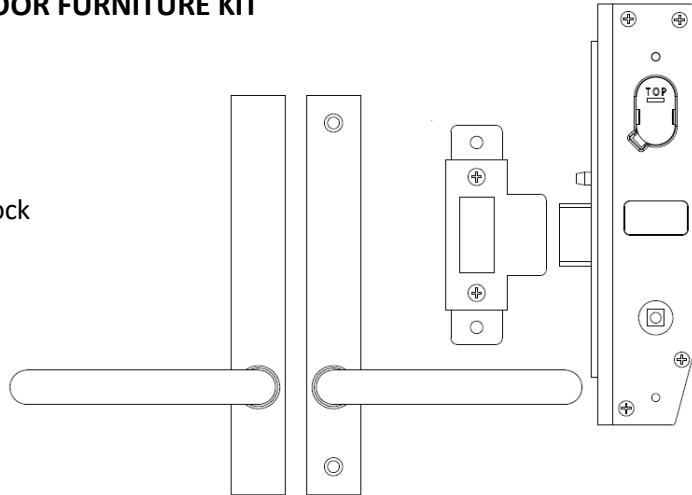
---

---

## 1227-00 PASSAGE DOOR LATCH & DOOR FURNITURE KIT

### Kit inclusions:

- 12000 Primary Vestibule/Combination Lock
- P4127 External Plate Cylinder & Lever 27
- P4227 Internal Plate Cylinder & Lever 27

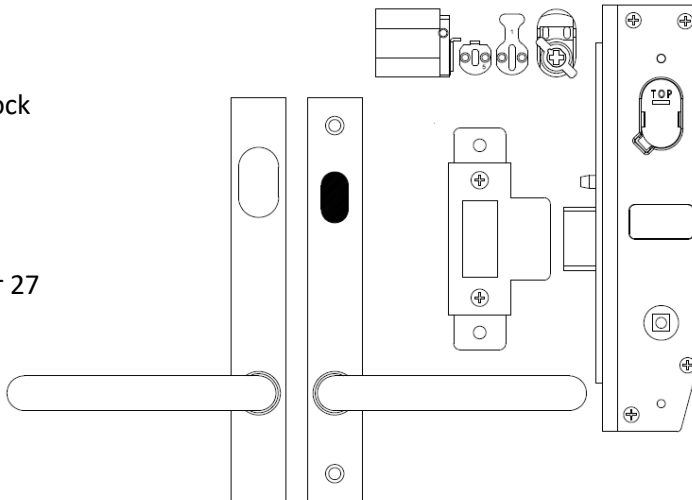


---

## 1227-01 ENTRANCE / OFFICE DOOR LOCK & DOOR FURNITURE KIT

### Kit inclusions:

- 12000 Primary Vestibule/Combination Lock
- CML-OC5 Oval Cylinder #5Cam
- CML-CAM1 #1 Cylinder Cam
- CML-TA6 #6 Turn Adaptor
- P4127 External Plate Cylinder & Lever 27
- P4627 Internal Plate Turn Button & Lever 27

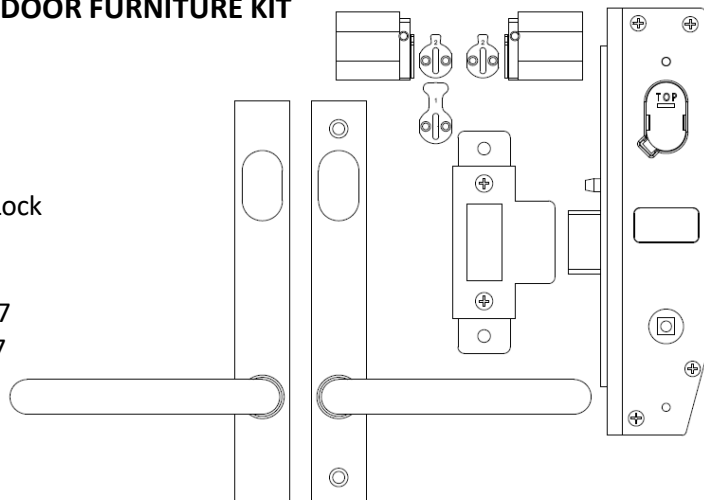


---

## 1227-02 DOUBLE CYLINDER LOCK & DOOR FURNITURE KIT

### Kit inclusions:

- 12000 Primary Vestibule/Combination Lock
- CML-OC2 Oval Cylinder #2Cam x 2
- CML-CAM1 #1 Cylinder Cam
- P4127 External Plate Cylinder & Lever 27
- P4227 Internal Plate Cylinder & Lever 27



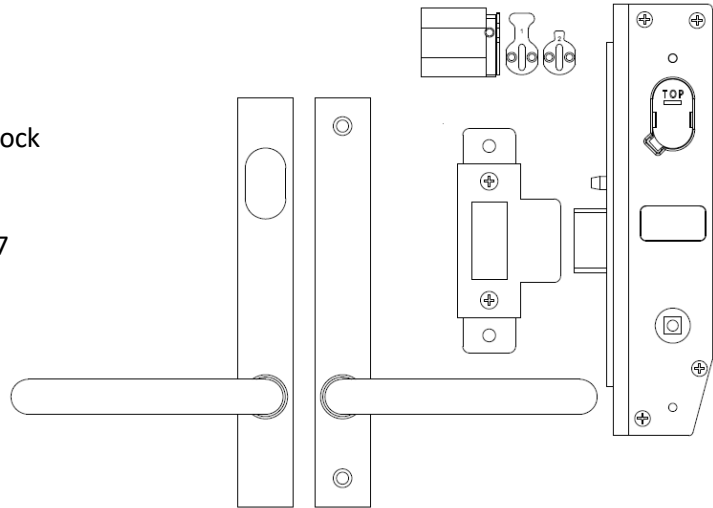
---

---

## 1227-03 STOREROOM/ CLASSROOM DOOR LOCK & DOOR FURNITURE

### Kit inclusions:

- 12000 Primary Vestibule/Combination Lock
- CML-OC1 Oval Cylinder #1Cam
- CML-CAM2 #2 Cylinder Cam
- P4127 External Plate Cylinder & Lever 27
- P4427 Internal Plate Plain & Lever 27



---

Product Code	Description	Finish
1227-00	Primary Vest/Comb Lock + Door Furniture Kit	SSS, BLK
1227-01	Single Cylinder, Turn Lock + Door Furniture Kit	SSS, BLK
1227-02	Double Cylinder Lock + Door Furniture Kit	SSS, BLK
1227-03	Single Cylinder Lock + Door Furniture Kit	SSS, BLK

---

---

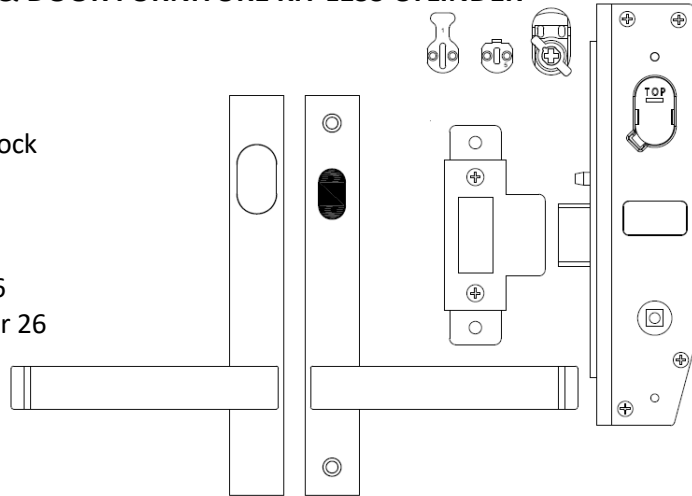
## 12000 series Lock & 4000 series Door Furniture Kits (Less Cylinder)

---

### 1226-156LC ENTRANCE DOOR LOCK & DOOR FURNITURE KIT LESS CYLINDER

**Kit inclusions:**

- 12000 Primary Vestibule/Combination Lock
- CML-CAM1 #1 Cylinder Cam
- CML-CAM5 #5 Cylinder Cam
- CML-TA6 #6 Turn Adaptor
- P4126 External Plate Cylinder & Lever 26
- P4626 Internal Plate Turn Button & Lever 26

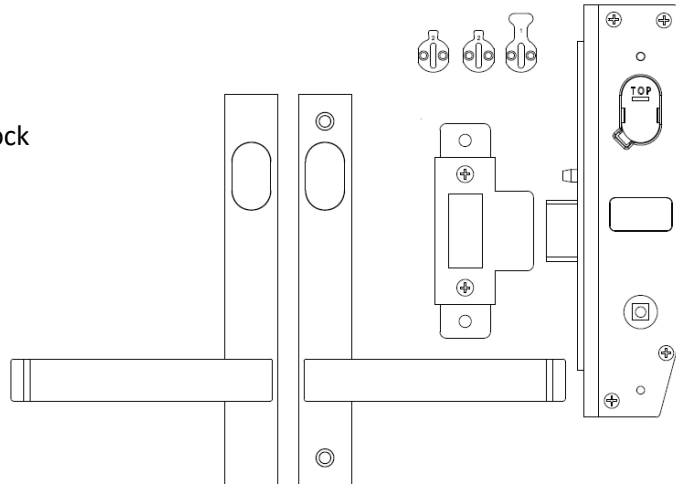


---

### 1226-22LC DOUBLE CYLINDER LOCK & DOOR FURNITURE KIT LESS CYLINDER

**Kit inclusions:**

- 12000 Primary Vestibule/Combination Lock
- 2 x CML-CAM2 #2 Cylinder Cam
- CML-CAM1 #1 Cylinder Cam
- P4126 External Plate Cylinder & Lever 26
- P4226 Internal Plate Cylinder & Lever 26

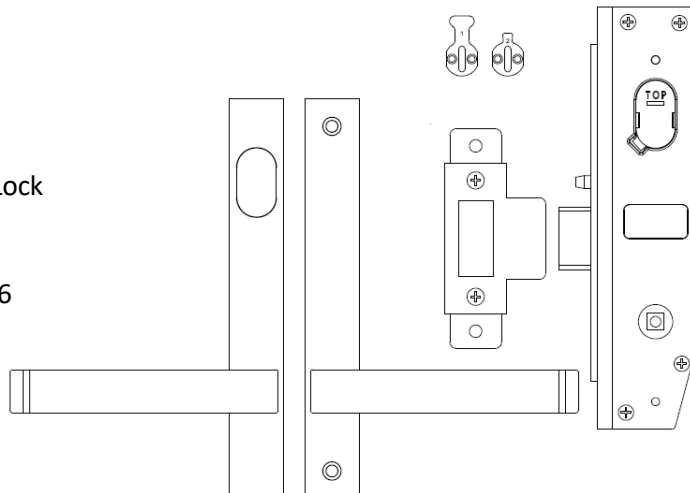


---

### 1226-12LC SINGLE CYLINDER LOCK & DOOR FURNITURE KIT LESS CYLINDER

**Kit inclusions:**

- 12000 Primary Vestibule/Combination Lock
- CML-CAM1 #1 Cylinder Cam
- CML-CAM2 #2 Cylinder Cam
- P4126 External Plate Cylinder & Lever 26
- P4426 Internal Plate Plain & Lever 26



---

<b>Product Code</b>	<b>Description</b>	<b>Finish</b>
1226-156LC	Single Cylinder & Turn Lock + Door Furniture Kit Less Cyl	SSS, BLK
1226-22LC	Double Cylinder Lock & Door Furniture Kit (Less Cyl)	SSS, BLK
1226-12LC	Single Cylinder Lock & Door Furniture Kit (Less Cyl)	SSS, BLK

---

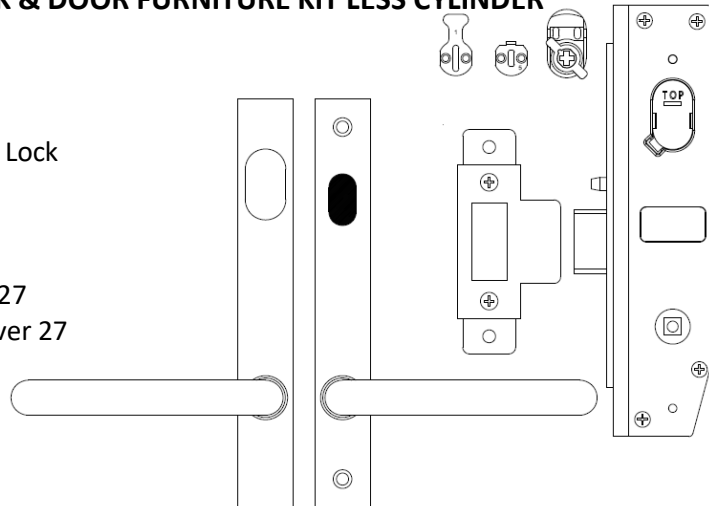


---

## 1227-156LC ENTRANCE DOOR LOCK & DOOR FURNITURE KIT LESS CYLINDER

**Kit inclusions:**

- 12000 Primary Vestibule/Combination Lock
- CML-CAM1 #1 Cylinder Cam
- CML-CAM5 #5 Cylinder Cam
- CML-TA6 #6 Turn Adaptor
- P4127 External Plate Cylinder & Lever 27
- P4627 Internal Plate Turn Button & Lever 27

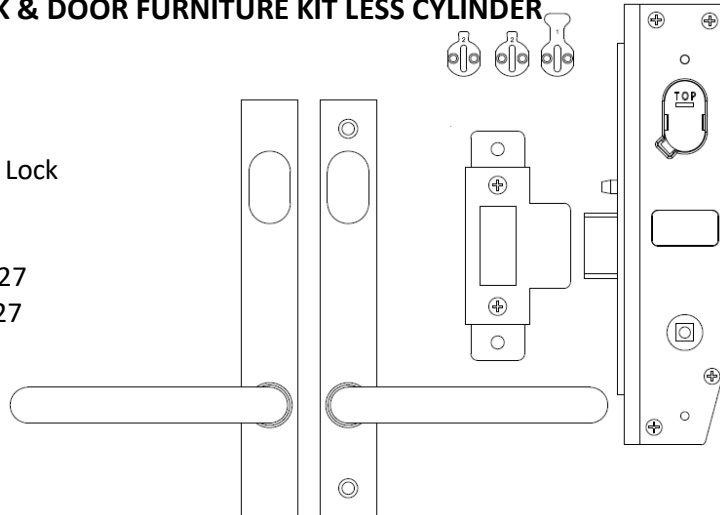


---

## 1227-22LC DOUBLE CYLINDER LOCK & DOOR FURNITURE KIT LESS CYLINDER

**Kit inclusions:**

- 12000 Primary Vestibule/Combination Lock
- 2 x CML-CAM2 #2 Cylinder Cam
- CML-CAM1 #1 Cylinder Cam
- P4127 External Plate Cylinder & Lever 27
- P4227 Internal Plate Cylinder & Lever 27

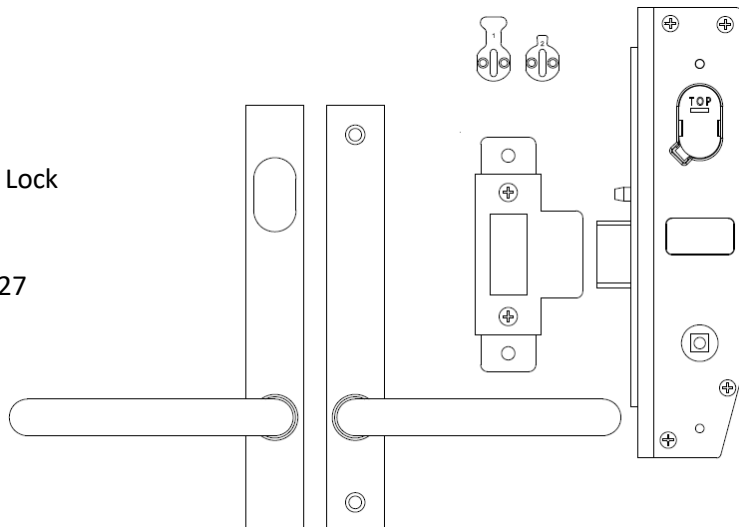


---

## 1227-12LC SINGLE CYLINDER LOCK & DOOR FURNITURE KIT LESS CYLINDER

**Kit inclusions:**

- 12000 Primary Vestibule/Combination Lock
- CML-CAM1 #1 Cylinder Cam
- CML-CAM2 #2 Cylinder Cam
- P4127 External Plate Cylinder & Lever 27
- P4427 Internal Plate Plain & Lever 27



Product Code	Description	Finish
1227-156LC	Single Cylinder & Turn Lock + Door Furniture Kit Less Cyl	SSS, BLK
1227-22LC	Double Cylinder Lock & Door Furniture Kit (Less Cyl)	SSS, BLK
1227-12LC	Single Cylinder Lock & Door Furniture Kit (Less Cyl)	SSS, BLK

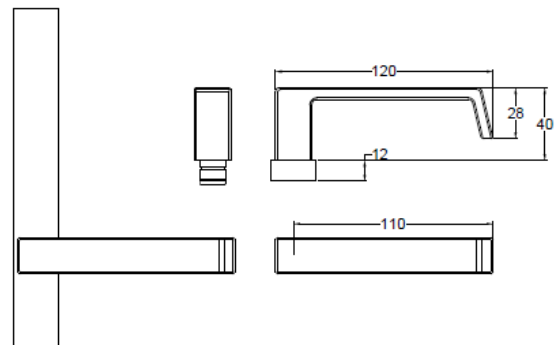
## Lever Dimensions

### Lever 26

Overall Length:	120mm
Total Projection:	52mm
Finger Clearance:	40mm
Plate Length x Width	186 x 25mm
Plate Height	12mm



AS1428.1 Compliant

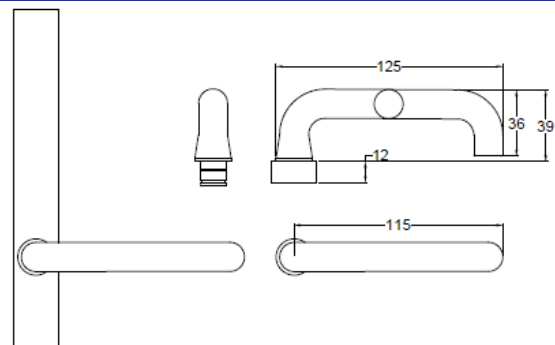


### Lever 27

Overall Length:	125mm
Total Projection:	51mm
Finger Clearance:	39mm
Plate Length x Width	186 x 25mm
Plate Height	12mm

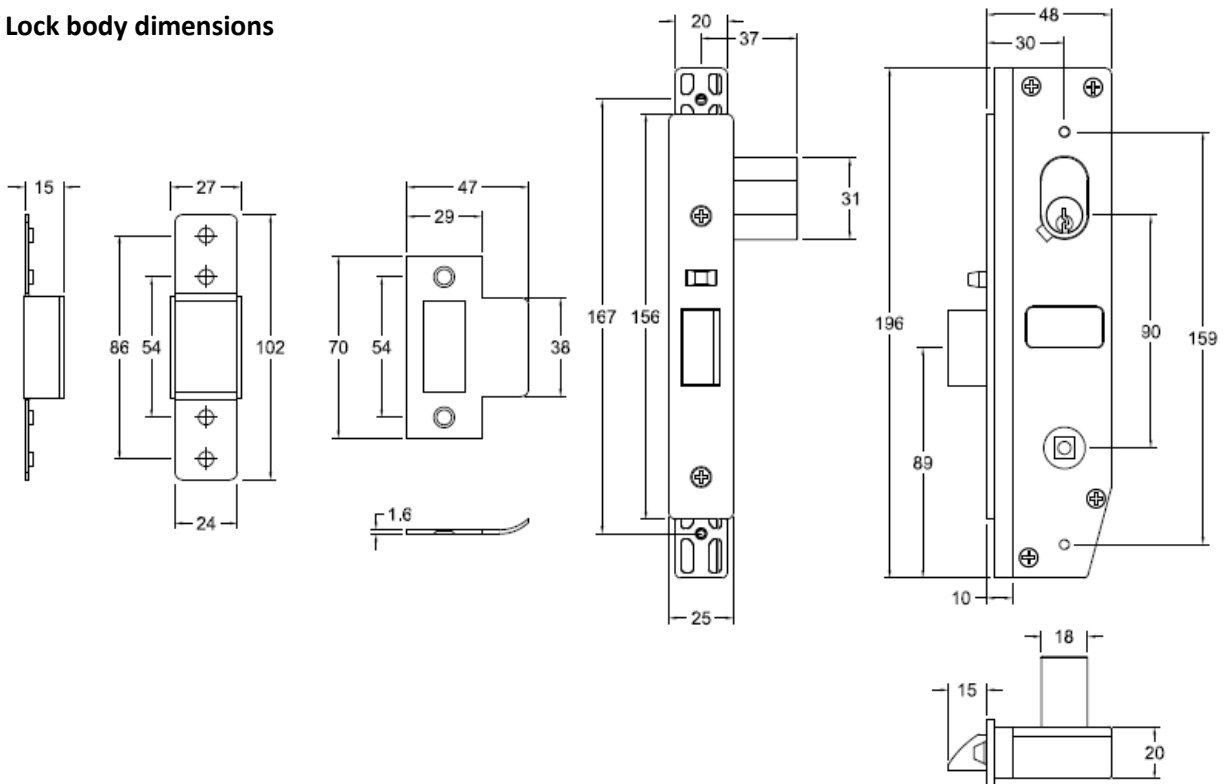


AS1428.1 Compliant

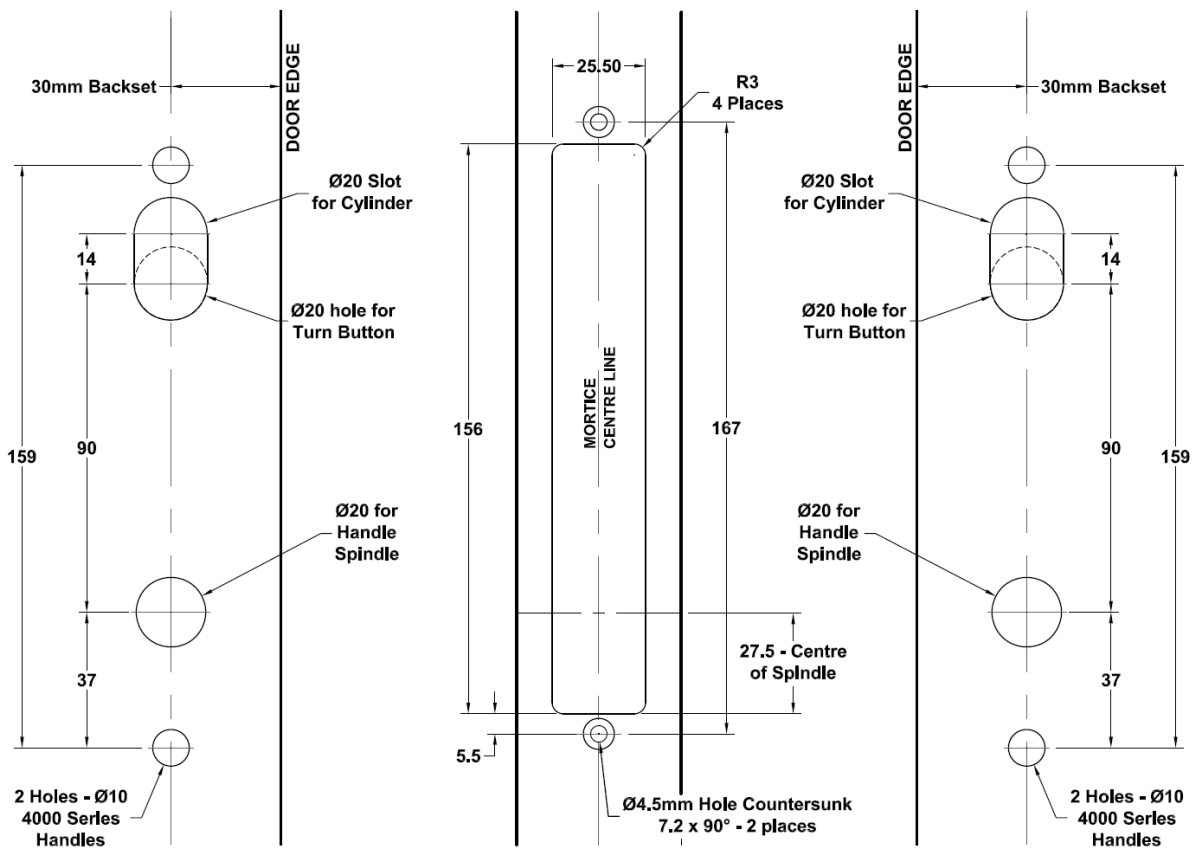


# 12000 series Lock Dimensions

## Lock body dimensions



## Lock cut-out dimensions



---

## Commercial Mortice Lock

The McCallum 10000 series commercial mortice locks have been manufactured to meet the requirements of the Australian market. Using high quality materials to meet the durability and strength required for use in commercial and industrial building applications.

The 10000 series is a multi-functional lock that allows for simple switching between vestibule and combination locking functions by an external operation prior to installation.



### SPECIFICATION

**Lock Case:**

Material high purity zinc alloy

**Face Plate:**

Stainless Steel 304 grade

**Strike Plate:**

Universal "T" Strike plate - Stainless Steel 304 grade

**Backset:**

Standard 60mm

**Door Thickness:**

32 - 50mm

**Latchbolt:**

Stainless Steel 15mm projection

**Auxiliary bolt:**

Stainless Steel activates dead latching.

**Handing:**

Reversible latchbolt (non-handed)

**Spindle Hub:**

Accepts 7.6 & 8mm spindles.

**Cylinder:**

Oval Brass outer Cylinder and inner Barrel

**Cylinder retention:**

Spring Steel Retaining Pin

**Operation:**

Multi-functional lock body allowing for simple switching from combination to vestibule locking functions.

**Durability:**

10000 series Commercial Mortice Locks conform with level D8 (Durability) Australian Lock Standard (AS 4145.2-2008).

**Security:**

10000 series Commercial Mortice Locks conform with level S5 (Physical Security) Australian Lock Standard (AS 4145.2-2008).

**Fire Rated:**

Successfully tested in accordance with Australian Lock Standard (AS 1905.1-2005).

**Electric Strikes:**

The 10000 series Commercial Mortice Locks are compatible with most electric strikes.

**Warranty:**

10 Year mechanical

**Finishes:**

SSS: Satin Stainless Steel

BLK: Black

---

## 10000 series Lock & 3000 series Door Furniture Kits

---

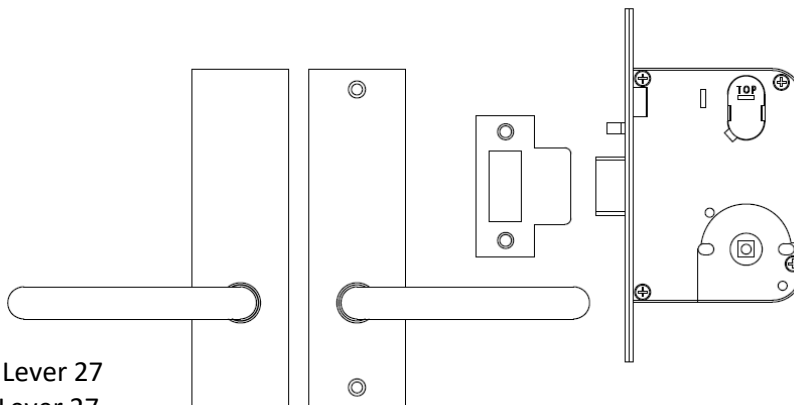
### 10L27-00 PRIMARY VEST/COMB LOCK & DOOR FURNITURE KIT

#### LOCK FUNCTION

PASSAGE LATCH

#### Kit inclusions:

- 10000 Primary Vest/Comb Lock
- P3127 External Plate Cylinder & Lever 27
- P3227 Internal Plate Cylinder & Lever 27



---

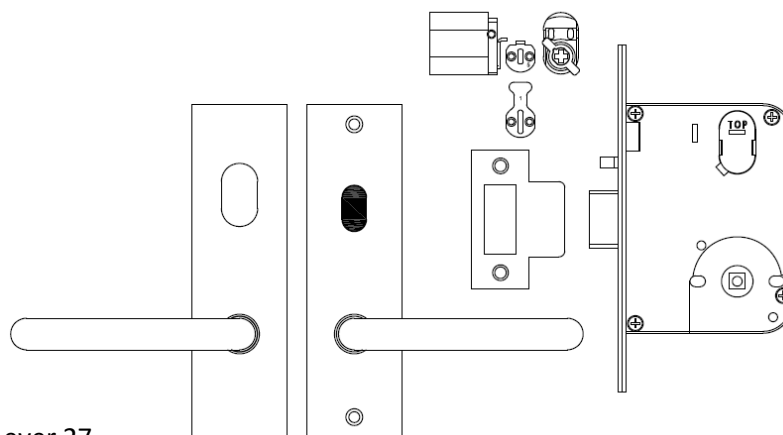
### 10L27-01 SINGLE CYLINDER & TURN LOCK & DOOR FURNITURE KIT

#### LOCK FUNCTION

ENTRANCE / OFFICE DOOR LOCK

#### Kit inclusions:

- 10000 Primary Vest/Comb Lock
- CML-05 Oval Cylinder #5 Cam
- CML-CAM1 #1 Cylinder Cam
- CML-TA6 #6 Turn Adaptor
- P3127 External Plate Cylinder & Lever 27
- P3627 Internal Plate Turn Button & Lever 27



---

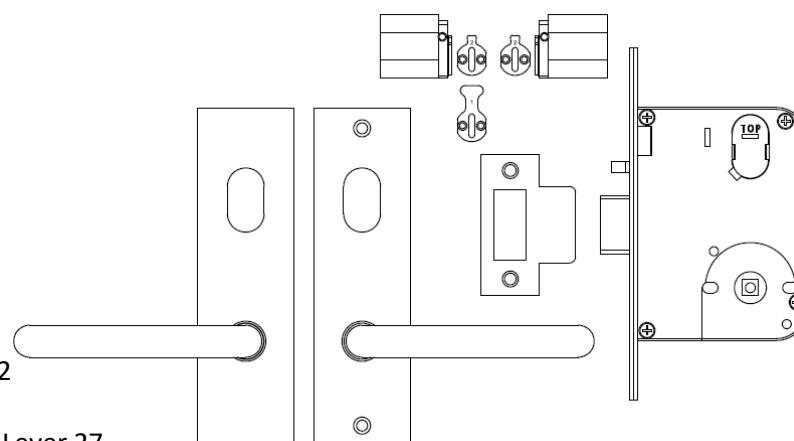
### 10L27-02 DOUBLE CYLINDER LOCK & DOOR FURNITURE KIT

#### LOCK FUNCTION

GLASS DOOR LOCK

#### Kit inclusions:

- 10000 Primary Vest/Comb Lock
- CML-02 Oval Cylinder #2 Cam x 2
- CML-CAM1 #1 Cylinder Cam
- P3127 External Plate Cylinder & Lever 27
- P3227 Internal Plate Cylinder & Lever 27



---

---

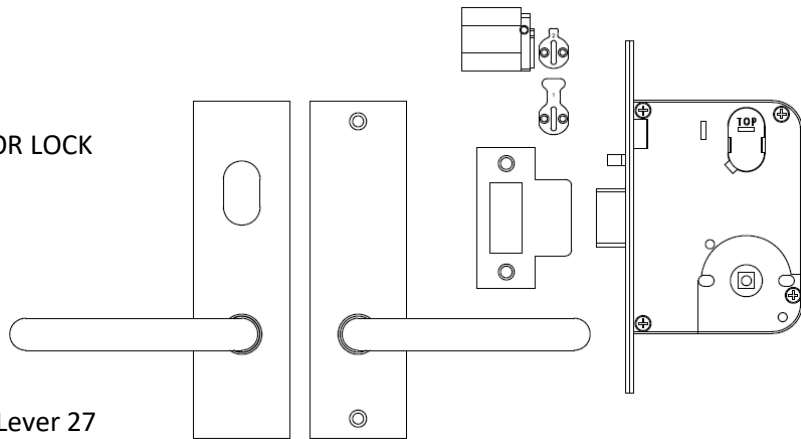
## 10L27-03 SINGLE CYLINDER LOCK & DOOR FURNITURE KIT

### LOCK FUNCTION

CLASSROOM / STOREROOM DOOR LOCK

### Kit inclusions:

- 10000 Primary Vest/Comb Lock
- CML-02 Oval Cylinder #2 Cam
- CML-CAM1 #1 Cylinder Cam
- P3127 External Plate Cylinder & Lever 27
- P3427 Internal Plate Plain & Lever 27



---

---

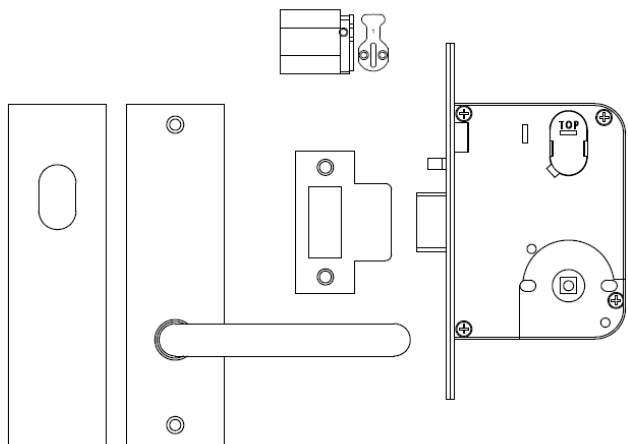
## 10L27-04 EXTERIOR EXIT SINGLE CYLINDER LOCK & DOOR FURNITURE KIT

### LOCK FUNCTION

EXIT DOOR LOCK

### Kit inclusions:

- 10000 Primary Vest/Comb Lock
- CML-01 Oval Cylinder #1 Cam
- P3002 External Plate Cylinder only
- P3427 Internal Plate Plain & Lever 27

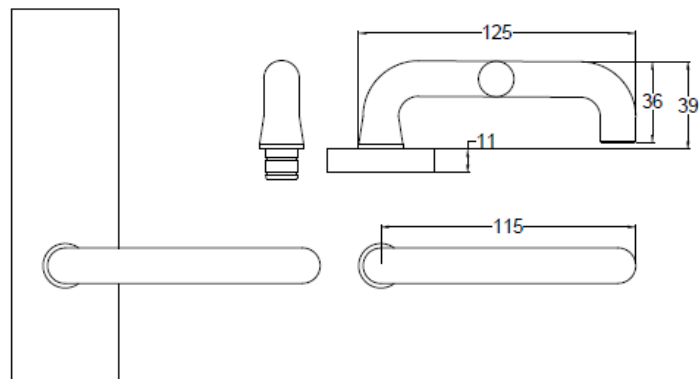


Product Code	Description	Finish
10L27-00	Primary Vest/Comb Lock + Door Furniture Kit	SSS, BLK
10L27-01	Single Cylinder, Turn Lock + Door Furniture Kit	SSS, BLK
10L27-02	Double Cylinder Lock + Door Furniture Kit	SSS, BLK
10L27-03	Single Cylinder Lock + Door Furniture Kit	SSS, BLK
10L27-04	Exterior Exit Single Cylinder Lock + Door Furniture Kit	SSS, BLK

## Lever Dimensions

### Lever 27

Overall Length:	125mm
Total Projection:	50mm
Finger Clearance:	39mm
Plate Length x Width	168 x 48mm
Plate Height	11mm



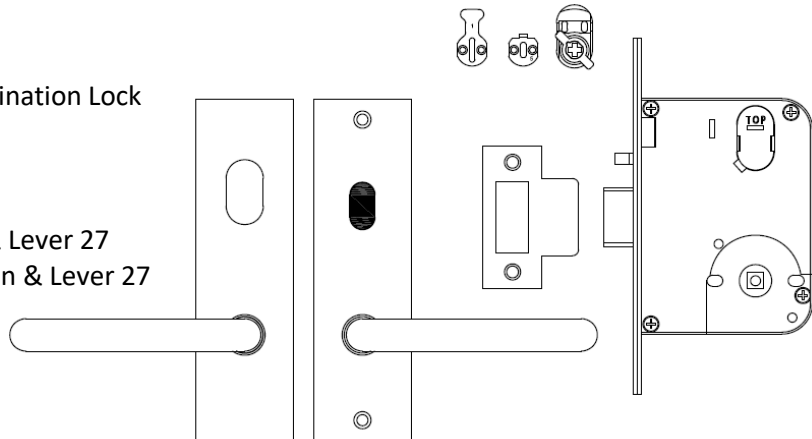
AS1428.1 Compliant

## 10000 series Lock & 3000 series Door Furniture Kits (Less Cylinder)

### 10L27-156LC ENTRANCE / OFFICE DOOR LOCK & DOOR FURNITURE KIT LESS CYLINDER

**Kit inclusions:**

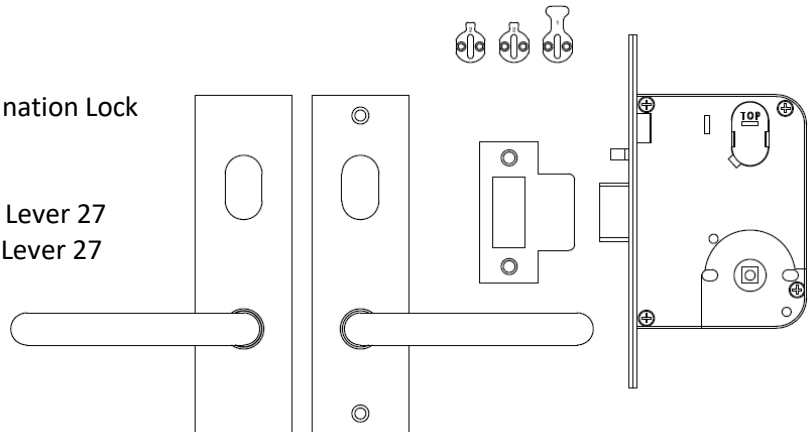
- 10000 Primary Vestibule/Combination Lock
- CML-CAM1 #1 Cylinder Cam
- CML-CAM5 #5 Cylinder Cam
- CML-TA6 #6 Turn Adaptor
- P3127 External Plate Cylinder & Lever 27
- P3627 Internal Plate Turn Button & Lever 27



### 10L27-221LC DOUBLE CYLINDER LOCK & DOOR FURNITURE KIT LESS CYLINDER

**Kit inclusions:**

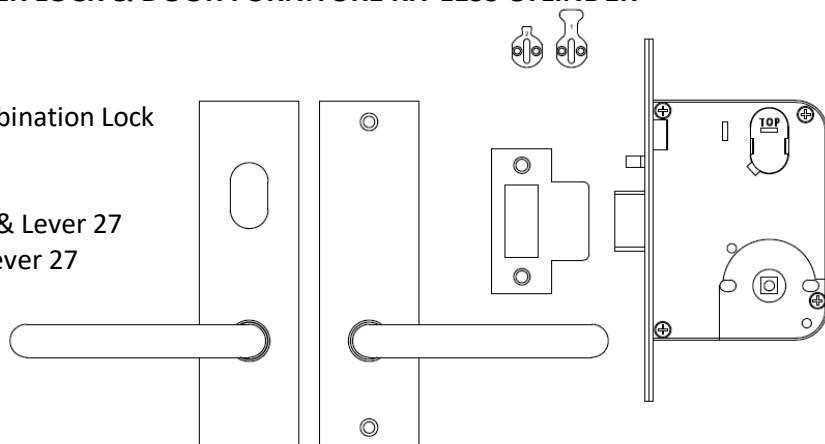
- 10000 Primary Vestibule/Combination Lock
- CML-CAM2 #2 Cylinder Cam x 2
- CML-CAM1 #1 Cylinder Cam
- P3127 External Plate Cylinder & Lever 27
- P3227 Internal Plate Cylinder & Lever 27



### 10L27-12LC SINGLE CYLINDER LOCK & DOOR FURNITURE KIT LESS CYLINDER

**Kit inclusions:**

- 10000 Primary Vestibule/Combination Lock
- CML-CAM1 #1 Cylinder Cam
- CML-CAM2 #2 Cylinder Cam
- P3127 External Plate Cylinder & Lever 27
- P3427 Internal Plate Plain & Lever 27



Product Code	Description	Finish
10L27-156LC	Single Cylinder & Turn Lock + Door Furniture Kit (Less Cyl)	SSS, BLK
10L27-22LC	Double Cylinder Lock & Door Furniture Kit (Less Cyl)	SSS, BLK
10L27-12LC	Single Cylinder Lock & Door Furniture Kit (Less Cyl)	SSS, BLK



---

## 10000 series Lock & 5000 series Door Furniture Kits

---

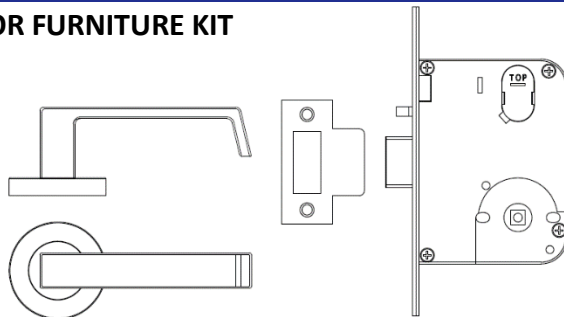
### 10R26-00 PRIMARY VEST/COMB LOCK & DOOR FURNITURE KIT

#### LOCK FUNCTION

PASSAGE LATCH

#### Kit inclusions:

10000 Primary Vest/Comb Lock  
R5126 Passage Set Round Rosette - Lever 26



---

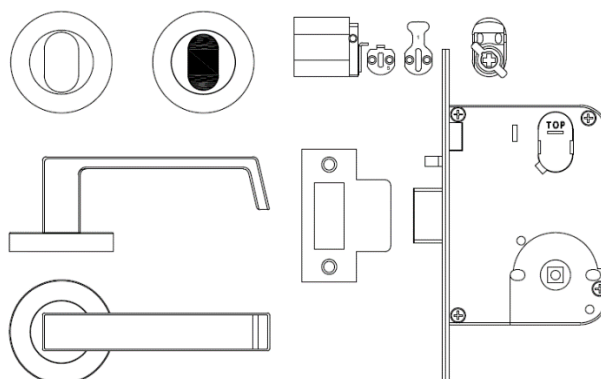
### 10R26-01 SINGLE CYLINDER & TURN LOCK & DOOR FURNITURE KIT

#### LOCK FUNCTION

ENTRANCE / OFFICE DOOR LOCK

#### Kit inclusions:

10000 Primary Vestibule/Combination Lock  
CML-CAM1 #1 Cylinder Cam  
CML-OC5 #5 Oval Cylinder #5 Cam  
CML-TA6 #6 Turn Adaptor  
R5126 Passage Set Round Rosette - Lever 26  
R50E1 Round Oval Cylinder Escutcheon  
R50T3 Round Turn Button Escutcheon



---

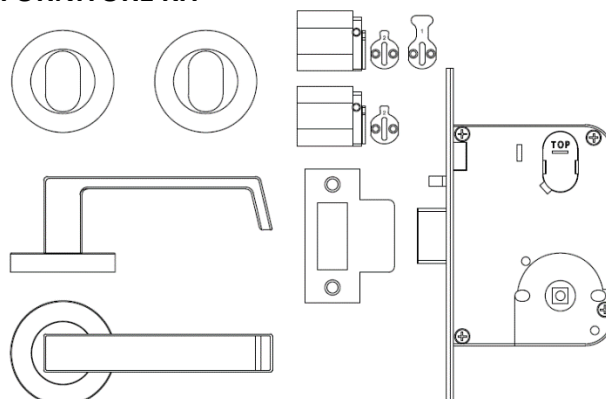
### 10R26-02 DOUBLE CYLINDER LOCK & DOOR FURNITURE KIT

#### LOCK FUNCTION

GLASS DOOR LOCK

#### Kit inclusions:

10000 Primary Vestibule/Combination Lock  
CML-OC2 Oval Cylinders #2 Cam x 2  
CML-CAM1 #1 Cylinder Cam  
R5126 Passage Set Round Rosette - Lever 26  
R50E1 Round Oval Cylinder Escutcheon x 2



---

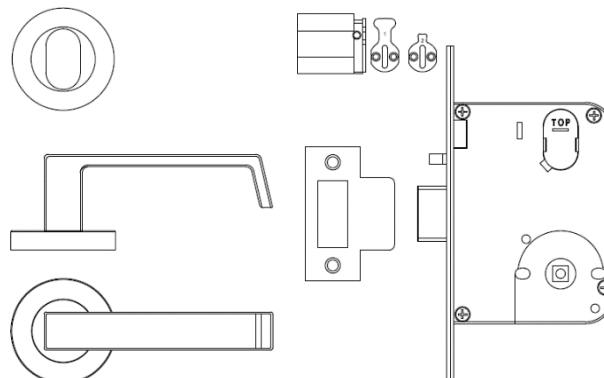
### 10R26-03 SINGLE CYLINDER LOCK & DOOR FURNITURE KIT

#### LOCK FUNCTION

CLASSROOM / STOREROOM DOOR LOCK

#### Kit inclusions:

10000 Primary Vestibule/Combination Lock  
CML-OC1 Oval Cylinder #1 Cam  
CML-CAM2 #2 Cylinder Cam  
R5126 Passage Set Round Rosette - Lever 26  
R50E1 Round Oval Cylinder Escutcheon



---

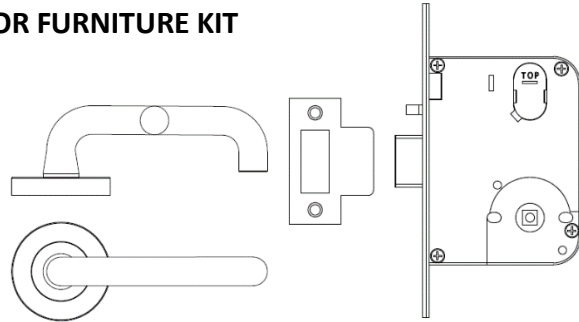
## 10R27-00 PRIMARY VEST/COMB LOCK & DOOR FURNITURE KIT

### LOCK FUNCTION

PASSAGE LATCH

#### Kit inclusions:

10000 Primary Vest/Comb Lock  
R5127 Passage Set Round Rosette - Lever 27



---

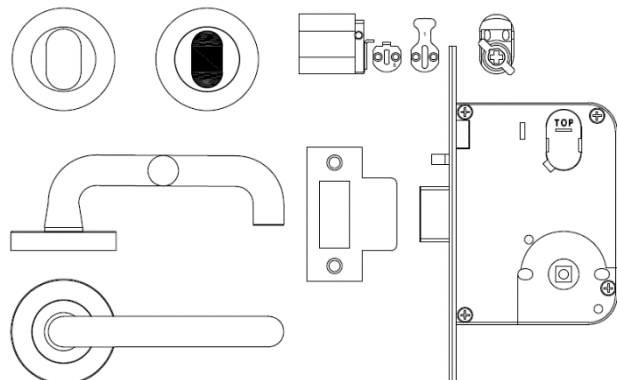
## 10R27-01 SINGLE CYLINDER & TURN LOCK & DOOR FURNITURE KIT

### LOCK FUNCTION

ENTRANCE / OFFICE DOOR LOCK

#### Kit inclusions:

10000 Primary Vestibule/Combination Lock  
CML-CAM1 #1 Cylinder Cam  
CML-OC5 #5 Oval Cylinder #5 Cam  
CML-TA6 #6 Turn Adaptor  
R5127 Passage Set Round Rosette - Lever 27  
R50E1 Round Oval Cylinder Escutcheon  
R50T3 Round Turn Button Escutcheon



---

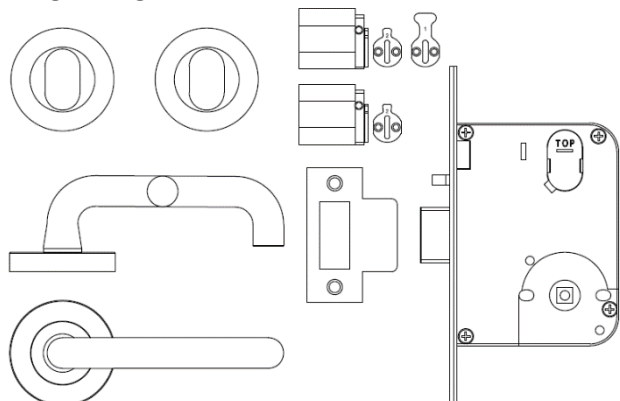
## 10R27-221 DOUBLE CYLINDER LOCK & DOOR FURNITURE KIT

### LOCK FUNCTION

GLASS DOOR LOCK

#### Kit inclusions:

10000 Primary Vestibule/Combination Lock  
CML-OC2 Oval Cylinders #2 Cam x 2  
CML-CAM1 #1 Cylinder Cam  
R5127 Passage Set Round Rosette - Lever 27  
R50E1 Round Oval Cylinder Escutcheon x 2



---

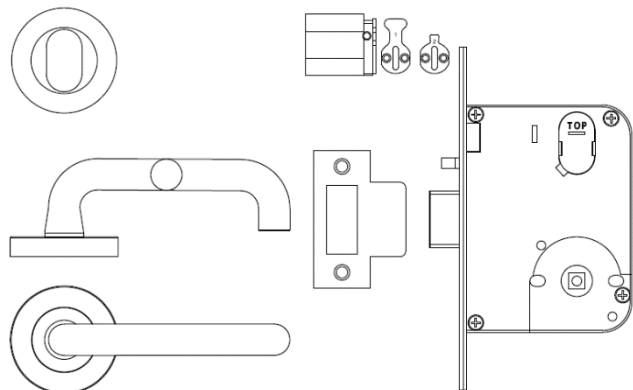
## 10R27-12 SINGLE CYLINDER LOCK & DOOR FURNITURE KIT

### LOCK FUNCTION

CLASSROOM / STOREROOM DOOR LOCK

#### Kit inclusions:

10000 Primary Vestibule/Combination Lock  
CML-OC1 Oval Cylinder #1 Cam  
CML-CAM2 #2 Cylinder Cam  
R5127 Passage Set Round Rosette - Lever 27  
R50E1 Round Oval Cylinder Escutcheon



---

<b>Product Code</b>	<b>Description</b>	<b>Finish</b>
10R26-00	Primary Vest/Comb Lock + Door Furniture Kit	SSS, BLK
10R26-01	Single Cylinder, Turn Lock + Door Furniture Kit	SSS, BLK
10R26-02	Double Cylinder Lock + Door Furniture Kit	SSS, BLK
10R26-03	Single Cylinder Lock + Door Furniture Kit	SSS, BLK
<hr/>		
10R27-00	Primary Vest/Comb Lock + Door Furniture Kit	SSS, BLK
10R27-01	Single Cylinder, Turn Lock + Door Furniture Kit	SSS, BLK
10R27-02	Double Cylinder Lock + Door Furniture Kit	SSS, BLK
10R27-03	Single Cylinder Lock + Door Furniture Kit	SSS, BLK

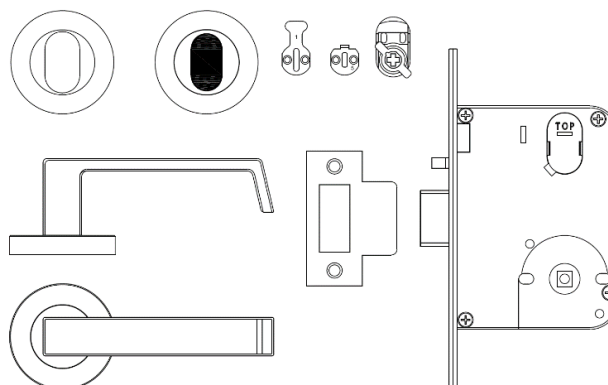
---

## 10000 series Lock & 5000 series Door Furniture Kits (Less Cylinder)

### 10R26-156LC ENTRANCE / OFFICE DOOR LOCK & DOOR FURNITURE KIT LESS CYLINDER

**Kit inclusions:**

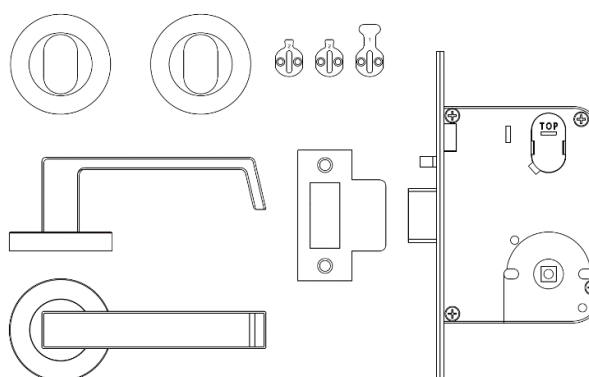
10000 Primary Vestibule/Combination Lock  
 CML-CAM1 #1 Cylinder Cam  
 CML-CAM5 #5 Cylinder Cam  
 CML-TA6 #6 Turn Adaptor  
 R5126 Passage Set Round Rosette - Lever 26  
 R50E1 Round Oval Cylinder Escutcheon  
 R50T3 Round Turn Button Escutcheon



### 10R26-221LC DOUBLE CYLINDER LOCK & DOOR FURNITURE KIT LESS CYLINDER

**Kit inclusions:**

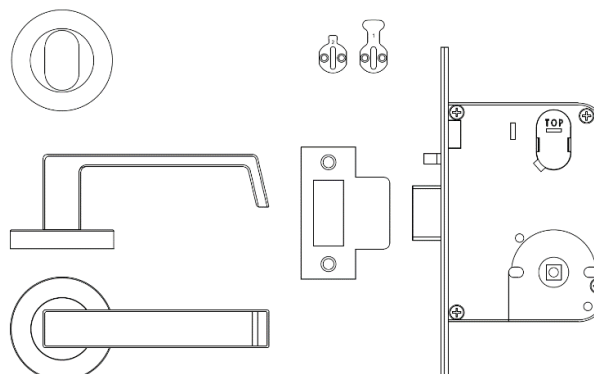
10000 Primary Vestibule/Combination Lock  
 CML-CAM2 #2 Cylinder Cam x 2  
 CML-CAM1 #1 Cylinder Cam  
 R5126 Passage Set Round Rosette - Lever 26  
 R50E1 Round Oval Cylinder Escutcheon x 2



### 10L26-12LC SINGLE CYLINDER LOCK & DOOR FURNITURE KIT LESS CYLINDER

**Kit inclusions:**

10000 Primary Vestibule/Combination Lock  
 CML-CAM1 #1 Cylinder Cam  
 CML-CAM2 #2 Cylinder Cam  
 R5126 Passage Set Round Rosette - Lever 26  
 R50E1 Round Oval Cylinder Escutcheon



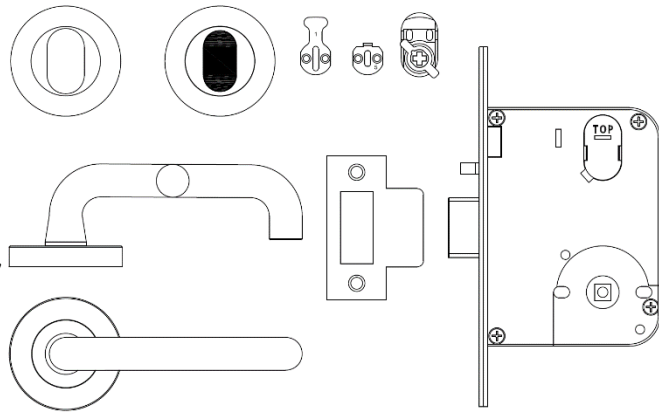
Product Code	Description	Finish
10R26-156LC	Single Cylinder & Turn Lock + Door Furniture Kit (Less Cyl)	SSS, BLK
10R26-22LC	Double Cylinder Lock & Door Furniture Kit (Less Cyl)	SSS, BLK
10R26-12LC	Single Cylinder Lock & Door Furniture Kit (Less Cyl)	SSS, BLK

---

## 10R27-156LC ENTRANCE / OFFICE DOOR LOCK & DOOR FURNITURE KIT LESS CYLINDER

### Kit inclusions:

- 10000 Primary Vestibule/Combination Lock
- CML-CAM1 #1 Cylinder Cam
- CML-CAM5 #5 Cylinder Cam
- CML-TA6 #6 Turn Adaptor
- R5127 Passage Set Round Rosette - Lever 27
- R50E1 Round Oval Cylinder Escutcheon
- R50T3 Round Turn Button Escutcheon

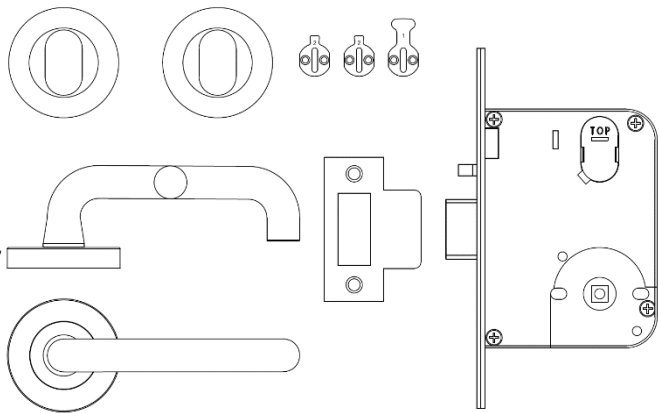



---

## 10R27-221LC DOUBLE CYLINDER LOCK & DOOR FURNITURE KIT LESS CYLINDER

### Kit inclusions:

- 10000 Primary Vestibule/Combination Lock
- CML-CAM2 #2 Cylinder Cam x 2
- CML-CAM1 #1 Cylinder Cam
- R5127 Passage Set Round Rosette - Lever 27
- R50E1 Round Oval Cylinder Escutcheon x 2

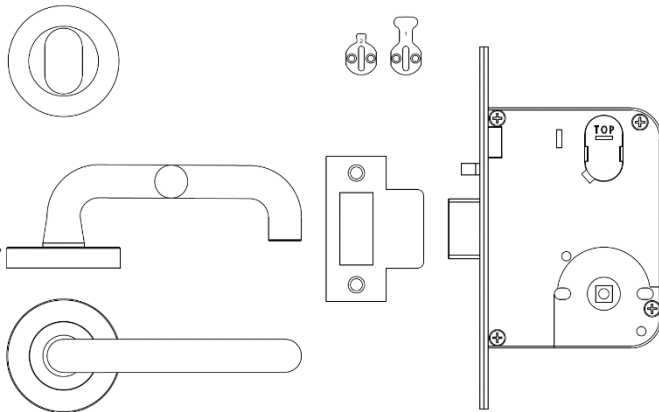



---

## 10L27-12LC SINGLE CYLINDER LOCK & DOOR FURNITURE KIT LESS CYLINDER

### Kit inclusions:

- 10000 Primary Vestibule/Combination Lock
- CML-CAM1 #1 Cylinder Cam
- CML-CAM2 #2 Cylinder Cam
- R5127 Passage Set Round Rosette - Lever 27
- R50E1 Round Oval Cylinder Escutcheon




---

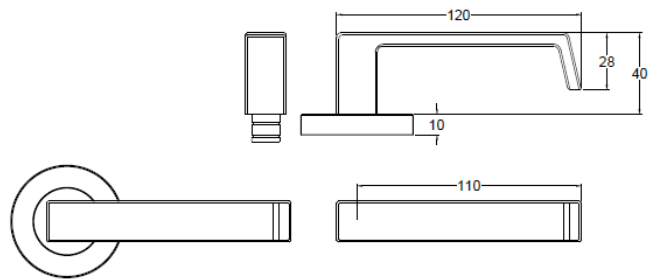
Product Code	Description	Finish
10R27-156LC	Single Cylinder & Turn Lock + Door Furniture Kit (Less Cyl)	SSS, BLK
10R27-22LC	Double Cylinder Lock & Door Furniture Kit (Less Cyl)	SSS, BLK
10R27-12LC	Single Cylinder Lock & Door Furniture Kit (Less Cyl)	SSS, BLK

---

## Lever Dimensions

### R5126 Round Rosette Passage Set

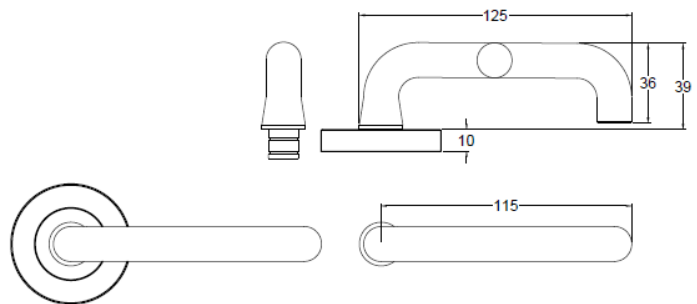
Rosette diameter: 55mm  
Rosette Height: 10mm  
Lever Overall Length: 120mm  
Lever Total Projection: 51mm  
Finger Clearance: 40mm



AS1428.1 Compliant

### R5127 Round Rosette Passage Set

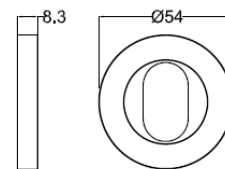
Rosette diameter: 55mm  
Rosette Height: 10mm  
Lever Overall Length: 125mm  
Lever Total Projection: 50mm  
Finger Clearance: 39mm



AS1428.1 Compliant

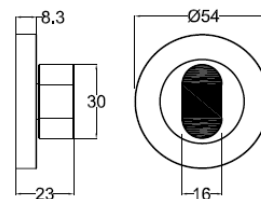
### R50E1 Round Oval Cylinder Escutcheon

Rosette diameter: 54mm  
Rosette Height: 8.3mm



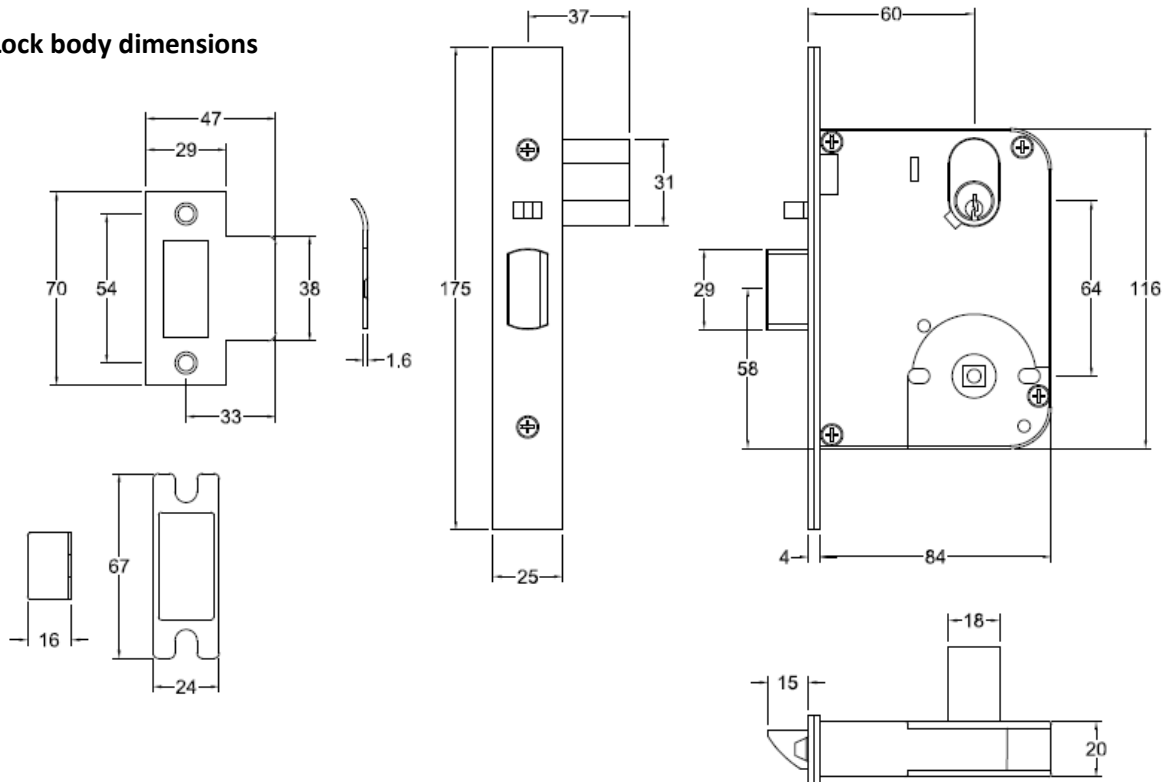
### R50T3 Round Turn Button Escutcheon

Rosette diameter: 54mm  
Rosette Height: 8.3mm



# 10000 series Lock Dimensions

## Lock body dimensions



## Lock mortise dimensions

