



Quality Products Since 1939

The background of the central section is a light gray architectural floor plan. It shows various rooms and areas with labels such as "CAR GARAGE", "ROOM", "LIVING ROOM", and "BALCONY". There are also numerical dimensions and elevation markers like "+0.10", "+0.70", and "+0.50".

Aluminium Hinges

www.mccallumhinges.com.au

sales@mccallumhinges.com.au

02 9698 5111

About McCallum Australia

McCallum Australia has been manufacturing high quality hardware products for the Australian market since 1939.

Our products are designed and developed in Australia, made from the highest quality materials and processes to exceed the high demands of Australian Standards and the market.

McCallum Australia is the pre-eminent hinge manufacturer for Australia. Our products have been used in hundreds of thousands of projects across Australia – including some of the most prominent such as, The Sydney Opera House, New Parliament House Canberra, and Crown Casino.

McCallum's pioneered the extruded aluminium hinge that features aluminium pressed endcaps, keyed flanged nylon bearings and stainless-steel hinge pins. We have included these innovative design features in our popular heavy duty fast-fix hinge range.

Our range of products are used extensively throughout the Australian market and are sort after by tradespeople, specifiers and technicians for new projects, repairs, refurbishments, and retrofits.

McCallum Australia products are sought for their key attributes:

- Quality
- Reliability
- Technical innovation
- Value

We support this with a focus on strong customer support.

McCallum representatives and stockists would be pleased to discuss and offer advice regarding your hardware requirements.

For additional technical information please contact us

+61 2 9698 5111

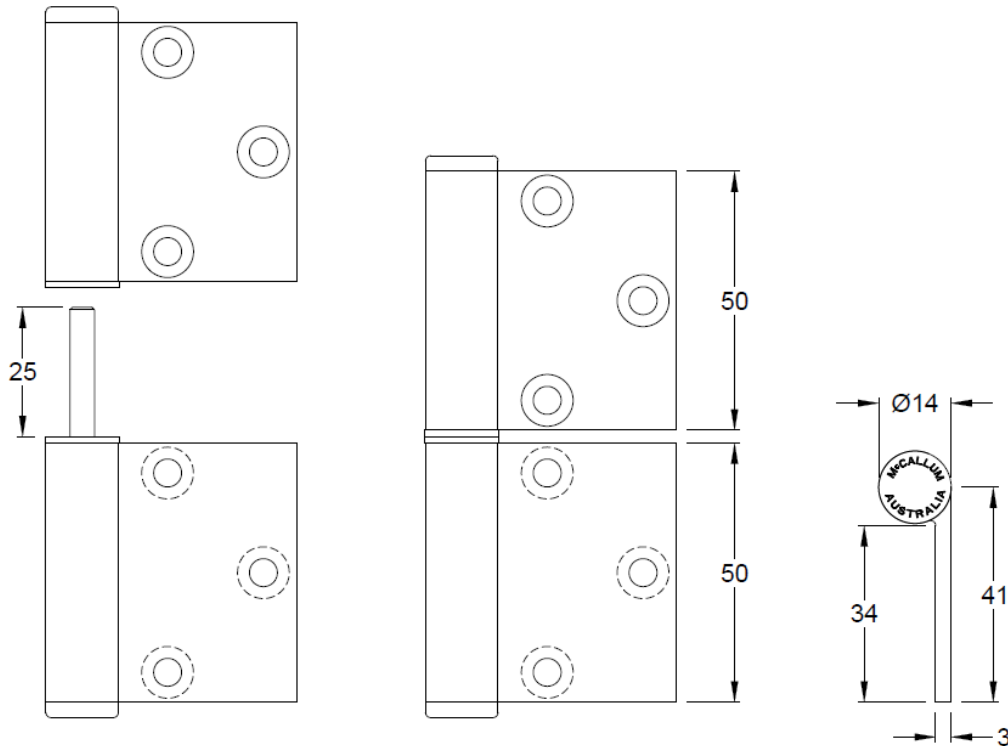
sales@mccallumhinges.com.au



Contents

About McCallum Australia	1
A101 Aluminium Lift Off Hinge 103x40x3mm - Left Hand	3
A102 Aluminium Lift Off Hinge 103x40x3mm - Right Hand	4
A103 Aluminium Lift Off Hinge 103x40x3mm – Non-Handed	5
A104 Aluminium Interfold Hinge 130mm Wrap-around face fix	6
A105 Aluminium Interfold Hinge 130mm	7
A107 Aluminium Interfold Hinge 130mm - Offset	8
A114 Aluminium Interfold Hinge 110mm Wrap-around face fix	9
A115 Aluminium Interfold Hinge 110mm	10
A117 Aluminium Interfold Hinge 110mm - Offset	11
A124 Aluminium Interfold Hinge 100mm Wrap-around face fix	12
A125 Aluminium Interfold Hinge 100mm	13
A127 Aluminium Interfold Hinge 100mm - Offset	14
A134 Aluminium Interfold Hinge 200mm Wrap-around face fix	15
A137 Aluminium Interfold Hinge 200mm - Offset	16
A140 Aluminium Blank Butt Hinge 100x51x3mm - Undrilled	17
A141 Aluminium Blank Butt Hinge 100x63x3mm - Undrilled	18
A142 Aluminium Blank Butt Hinge 100x83x3mm - Undrilled	19
A143 Aluminium Combination Butt Hinge 100x80x3mm	20
A146 Aluminium Door & Window Butt Hinge 76x55x2.2mm	21
A150 Aluminium Butt Hinge 100x76mm	22
A151 Aluminium Cabinet Butt Hinge 76x49mm	23
A154 Aluminium Interfold Hinge 130mm Wrap-around face fix	24
A155 Aluminium Wide Throw Interfold Hinge 110mm	25
A163 Aluminium Interfold Hinge 100mm - Offset	26
A165 Aluminium Interfold Hinge 100mm - Offset	27
A166 Aluminium Interfold Hinge 100mm - Offset	28
A167 Aluminium Interfold Hinge 100mm - Offset	29
A168 Aluminium Interfold Hinge 100mm - Offset	30
A170 Aluminium Door & Shower Butt Hinge 76x48x2.2mm	31
A171 Aluminium Parliament Wide Throw Interfold Hinge	32
A172 Aluminium Parliament Wide Throw Interfold Hinge	33
A173 Aluminium Interfold Hinge 100mm – Loose Pin	34
A174 Aluminium Interfold Hinge 100mm	35
A176 Aluminium Interfold Hinge 76mm	36
A13040 Aluminium Frame-Fold Interfold Hinge 130mm	37
A20040 Aluminium Frame-Fold Interfold Hinge 200mm	38
AL104 Aluminium Anti-Ligature Interfold Hinge 130mm	39
AL105 Aluminium Anti-Ligature Interfold Hinge 130mm	40
AL13025 Aluminium Anti-Ligature Frame-Fold Interfold Hinge 130mm	41
Notes:	42

A101 Aluminium Lift Off Hinge 103x40x3mm - Left Hand



SPECIFICATION

- **Hinge Type:** Lift Off Butt – Left Hand
- **Material:** High strength Aluminium Alloy T6 minimum tensile 254 mpa
- **Hinge Pin:** 4.7mm Diameter 304 grade Stainless Steel
- **Hinge Pin Length:** 26mm.
- **Bushes:** Flanged Nylon
- **Knuckle:** Round Offset
- **Endcaps:** Aluminium Pressed Interference fit

Maximum Weight Capacity: 25kg's – 3 Hinges

INSTALLATION GUIDE

- Minimum Door Thickness 35mm
- Suitable for Aluminium & Timber doors in Aluminium or Timber frames
- As a guide doors:
 - 2040 high x 820 up to 25kg– 3 hinges
- For Lift off clearance, we suggest undercutting the top of door at 35-40mm minimum.
- Recommended that the minimum of 3 hinges be used with the top hinge be located as high as possible.

FIXING

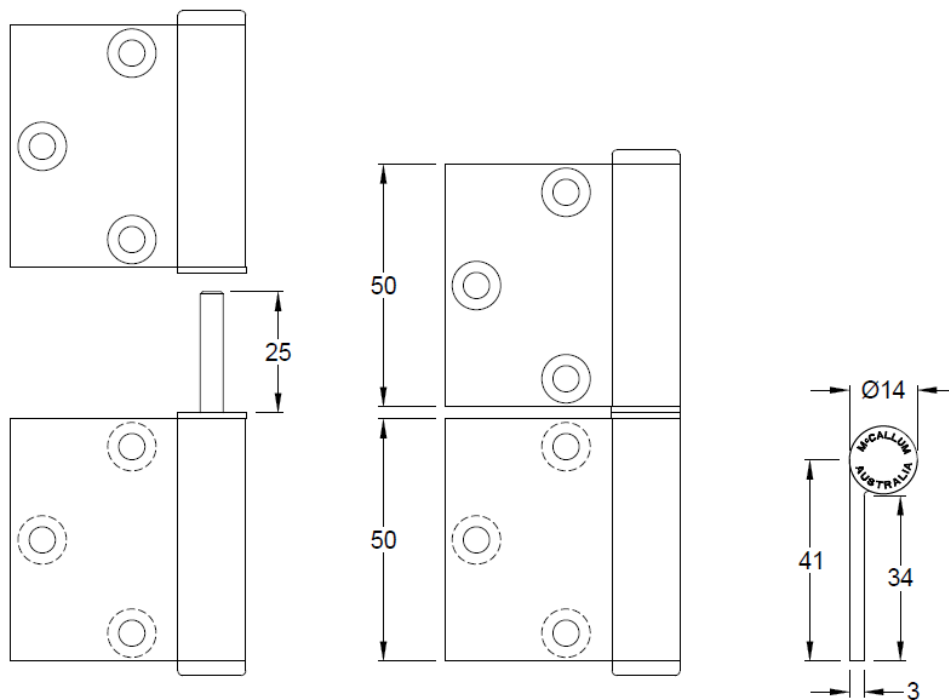
- Fastening screws supplied
- Timber fixings – 10G x 32mm Stainless Steel type AB self-tapping Phillips drive screw

Pop Rivets are NOT RECOMMENDED

FINISH

A101SNA – Satin Natural Anodised
A101BLK – Black Powder Coat
A101WHT – White Powder Coat
A101SPC – Special Powder Coat

A102 Aluminium Lift Off Hinge 103x40x3mm - Right Hand



SPECIFICATION

- **Hinge Type:** Right Off Butt – Right Hand
- **Material:** High strength Aluminium Alloy T6 minimum tensile 254 mpa
- **Hinge Pin:** 4.7mm Diameter 304 grade Stainless Steel
- **Hinge Pin Length:** 26mm.
- **Bushes:** Flanged Nylon
- **Knuckle:** Round Offset
- **Endcaps:** Aluminium Pressed Interference fit

Maximum Weight Capacity: 25kg's – 3 Hinges

INSTALLATION GUIDE

- Minimum Door Thickness 35mm
- Suitable for Aluminium & Timber doors in Aluminium or Timber frames
- As a guide doors:
 - 2040 high x 820 up to 25kg– 3 hinges
- For Lift off clearance, we suggest undercutting the top of door at 35-40mm minimum.
- Recommended that the minimum of 3 hinges be used with the top hinge be located as high as possible.

FIXING

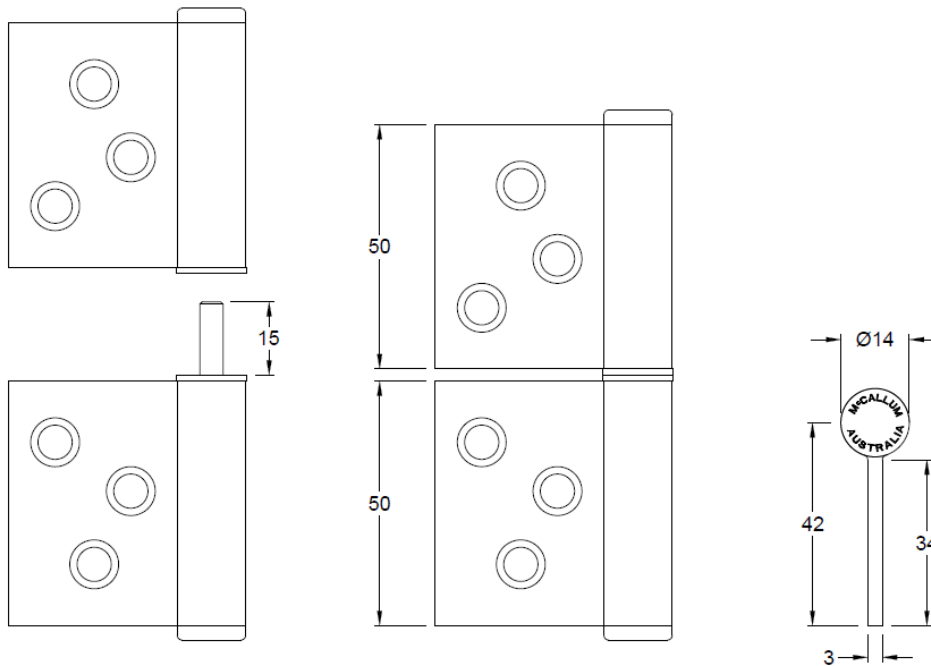
- Fastening screws supplied
- Timber fixings – 10G x 32mm Stainless Steel type AB self-tapping Phillips drive screw

Pop Rivets are NOT RECOMMENDED

FINISH

A102SNA – Satin Natural Anodised
A102BLK – Black Powder Coat
A102WHT – White Powder Coat
A102SPC – Special Powder Coat

A103 Aluminium Lift Off Hinge 103x40x3mm – Non-Handed



SPECIFICATION

- **Hinge Type:** Lift Off Butt – Non-Hand
- **Material:** High strength Aluminium Alloy T6 minimum tensile 254 mpa
- **Hinge Pin:** 4.7mm Diameter 304 grade Stainless Steel
- **Hinge Pin Length:** 26mm.
- **Bushes:** Flanged Nylon
- **Knuckle:** Round Offset
- **Endcaps:** Aluminium Pressed Interference fit

Maximum Weight Capacity: 25kg's – 3 Hinges

INSTALLATION GUIDE

- Minimum Door Thickness 35mm
- Suitable for Aluminium & Timber doors in Aluminium or Timber frames
- As a guide doors:
 - 2040 high x 820 up to 25kg– 3 hinges
- For Lift off clearance, we suggest undercutting the top of door at 35-40mm minimum.
- Recommended that the minimum of 3 hinges be used with the top hinge be located as high as possible.

FIXING

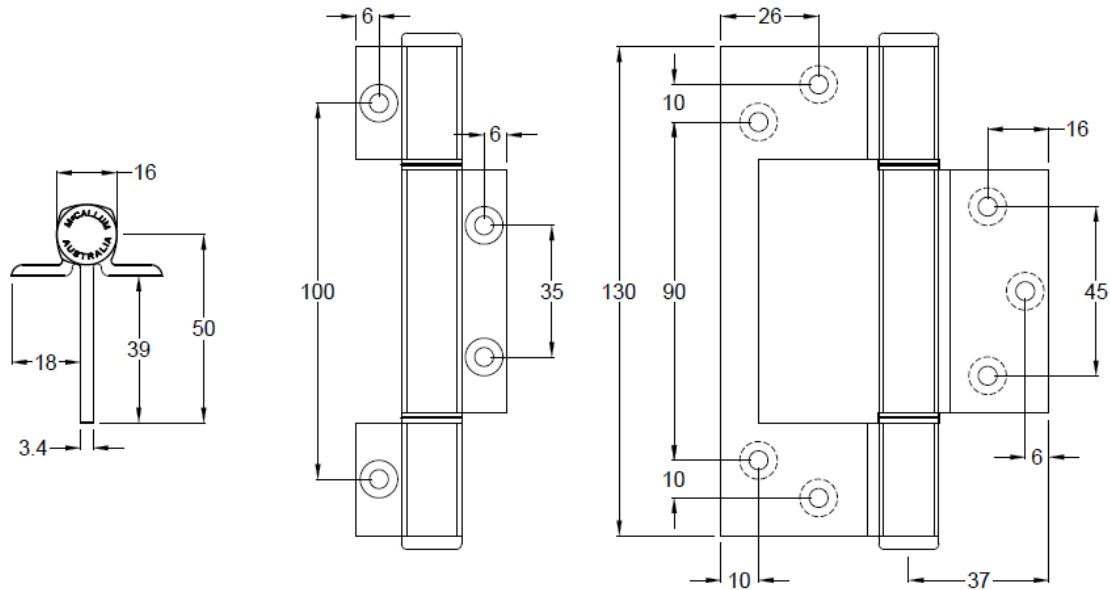
- Fastening screws supplied
- Metal fixings – M5 x 12mm, Countersunk Phillips Stainless Steel metal screw
- Timber fixings – 10G x 32mm Stainless Steel type AB self-tapping Phillips drive screw

Pop Rivets are NOT RECOMMENDED

FINISH

A103SNA – Satin Natural Anodised
A103BLK – Black Powder Coat
A103WHT – White Powder Coat
A103SPC – Special Powder Coat

A104 Aluminium Interfold Hinge 130mm Wrap-around face fix



SPECIFICATION

- **Hinge Type:** Interfold Hinge
- **Material:** High strength Aluminium Alloy T6 minimum tensile 254 mpa
- **Hinge Pin:** 6mm Diameter Stainless Steel 304 grade.
- **Bushes:** Flanged Nylon
- **Knuckle:** Squareline - Heavy Duty
- **Endcaps:** Aluminium Pressed Interference fit
- **Face Fix:** Wrap-around face fixing to door & frame.
- **Hinge Positioning Locator:** Yes
- **Maximum Weight Capacity:** 100kg's – 3 Hinges

INSTALLATION GUIDE

- Minimum Door Thickness 40mm
- Suitable for Aluminium & some Timber doors in Aluminium frames
- As a guide doors:
 - 2040 high x 820 up to 100kg – 3 hinges
- Recommended that the minimum of 3 hinges be used with the top hinge located as high as possible.
- Where door closers are or to be installed and or higher traffic doors a fourth hinge may be required
- A104 Spacer – 1.0mm Packer is available as a separate item. The spacer may be required to help align door position against door seals.

FIXING

- Fastening screws supplied
- Aluminium fixings - 10G x 13mm, Stainless Steel undercut countersunk self-tapping Phillips drive screw.
- Face fixing to the door and frame.

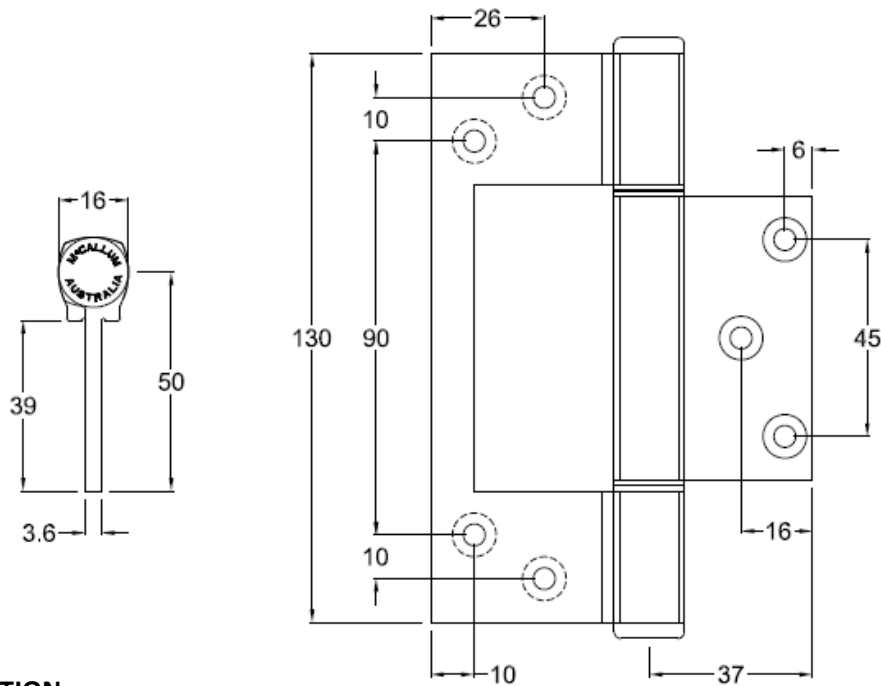
Pop Rivets are NOT RECOMMENDED

FINISH

A104SNA – Satin Natural Anodised
A104BLK – Black Powder Coat
A104WHT – White Powder Coat

A104MBLK – Matt Black Powder Coat
A104SPC – Special Powder Coat

A105 Aluminium Interfold Hinge 130mm



SPECIFICATION

- **Hinge Type:** Interfold Hinge
- **Material:** High strength Aluminium Alloy T6 minimum tensile 254 mpa
- **Hinge Pin:** 6mm Diameter Stainless Steel 304 grade.
- **Bushes:** Flanged Nylon
- **Knuckle:** Squareline - Heavy Duty
- **Endcaps:** Aluminium Pressed Interference fit
- **Face Fix:** N/A
- **Hinge Positioning Locator:** Yes
- **Maximum Weight Capacity:** 80kg's – 3 Hinges

INSTALLATION GUIDE

- Minimum Door Thickness 40mm
- Suitable for Aluminium & some Timber doors in Aluminium frames
- As a guide doors:
 - 2040 high x 820 up to 80kg – 3 hinges
- Recommended that the minimum of 3 hinges be used with the top hinge located as high as possible.
- Where door closers are or to be installed and or higher traffic doors a fourth hinge may be required

FIXING

- Fastening screws supplied
- Aluminium fixings - 10G x 13mm Stainless Steel undercut countersunk self-tapping Phillips drive screw.
- Timber fixings – 10G x 32mm Stainless Steel type AB self-tapping Phillips drive screw

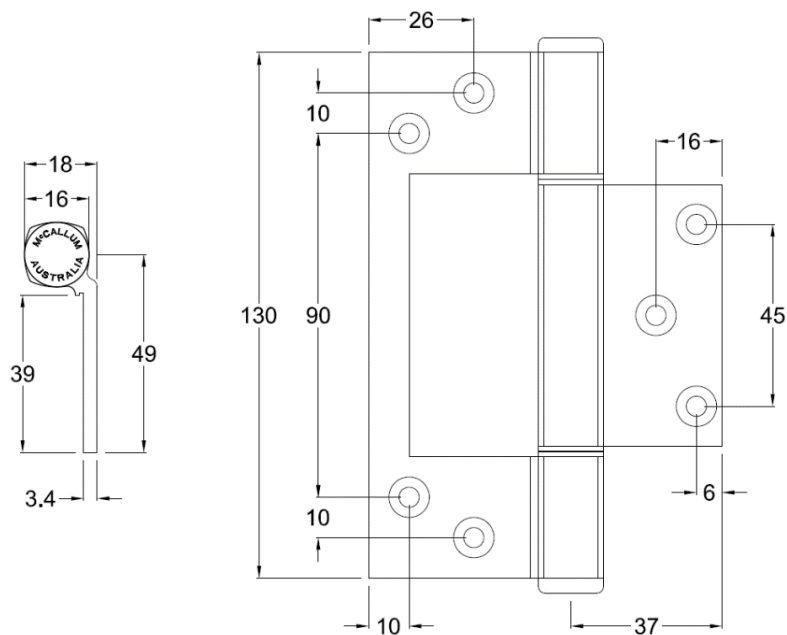
Pop Rivets are NOT RECOMMENDED

FINISH

A105SNA – Satin Natural Anodised
A105BLK – Black Powder Coat
A105WHT – White Powder Coat

A105MBLK – Matt Black Powder Coat
A105SPC – Special Powder Coat

A107 Aluminium Interfold Hinge 130mm - Offset



SPECIFICATION

- **Hinge Type:** Interfold Hinge - Offset
- **Material:** High strength Aluminium Alloy T6 minimum tensile 254 mpa
- **Hinge Pin:** 6mm Diameter Stainless Steel 304 grade.
- **Bushes:** Flanged Nylon
- **Knuckle:** Squareline - Heavy Duty
- **Endcaps:** Aluminium Pressed Interference fit
- **Face Fix:** N/A
- **Hinge Positioning Locator:** Yes
- **Maximum Weight Capacity:** 80kg's – 3 Hinges

INSTALLATION GUIDE

- Minimum Door Thickness 40mm
- Suitable for Aluminium & some Timber doors in Aluminium frames
- As a guide doors:
 - 2040 high x 820 up to 80kg – 3 hinges
- Recommended that the minimum of 3 hinges be used with the top hinge located as high as possible.
- Where door closers are or to be installed and or higher traffic doors a fourth hinge may be required

FIXING

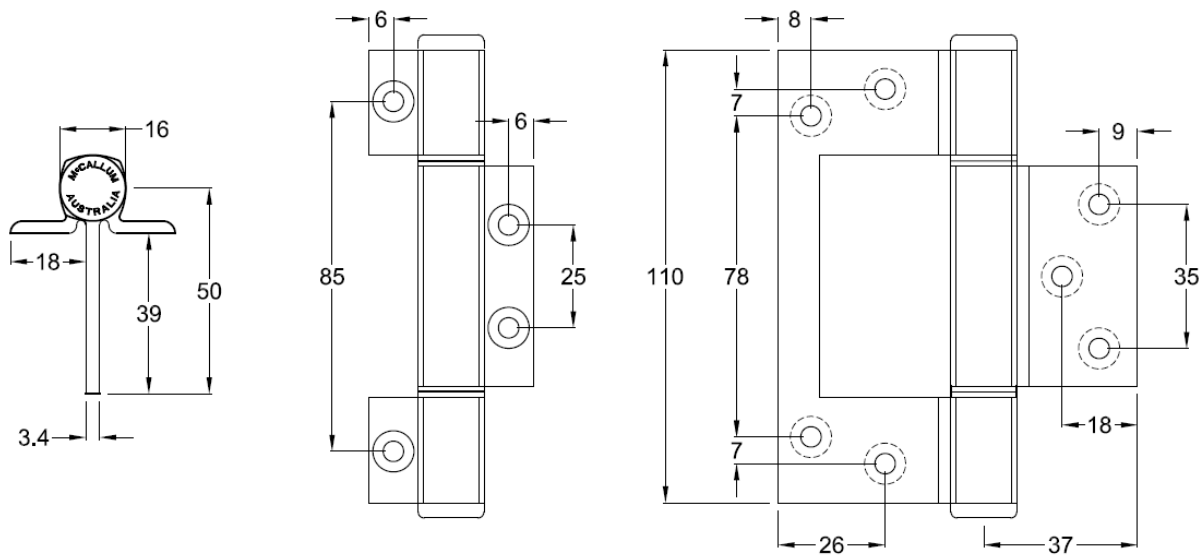
- Fastening screws supplied
- Aluminium fixings - 10G x 13mm, Stainless Steel undercut countersunk self-tapping Phillips drive screw.
- Timber fixings – 10G x 32mm Stainless Steel type AB self-tapping Phillips drive screw

Pop Rivets are NOT RECOMMENDED

FINISH

A107SNA – Satin Natural Anodised
A107BLK – Black Powder Coat
A107WHT – White Powder Coat
A107SPC – Special Powder Coat

A114 Aluminium Interfold Hinge 110mm Wrap-around face fix



SPECIFICATION

- **Hinge Type:** Interfold Hinge
- **Material:** High strength Aluminium Alloy T6 minimum tensile 254 mpa
- **Hinge Pin:** 6mm Diameter Stainless Steel 304 grade.
- **Bushes:** Flanged Nylon
- **Knuckle:** Squareline - Heavy Duty
- **Endcaps:** Aluminium Pressed Interference fit
- **Face Fix:** Wrap-around face fixing to door & frame.
- **Hinge Positioning Locator:** Yes
- **Maximum Weight Capacity:** 60kg's – 3 Hinges

INSTALLATION GUIDE

- Minimum Door Thickness 40mm
- Suitable for Aluminium & some Timber doors in Aluminium frames
- As a guide doors:
 - 2040 high x 820 up to 60kg – 3 hinges
- Recommended that the minimum of 3 hinges be used with the top hinge located as high as possible.
- Where door closers are or to be installed and or higher traffic doors a fourth hinge may be required

FIXING

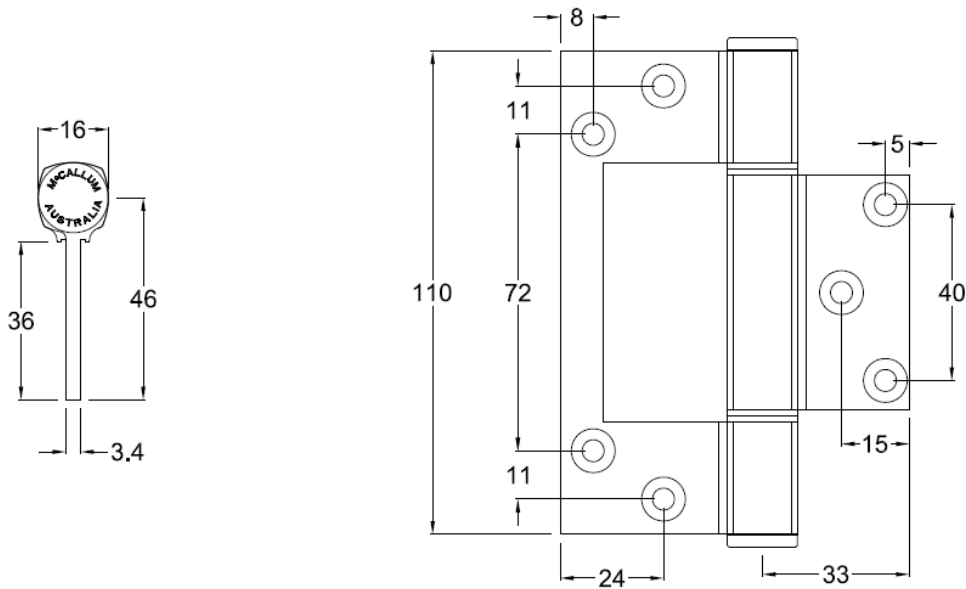
- Fastening screws supplied
- Aluminium fixings - 10G x 13mm, Stainless Steel undercut countersunk self-tapping Phillips drive screw.
- Face fixing to the door and frame.

Pop Rivets are NOT RECOMMENDED

FINISH

- A114SNA – Satin Natural Anodised
- A114BLK – Black Powder Coat
- A114WHT – White Powder Coat
- A114SPC – Special Powder Coat

A115 Aluminium Interfold Hinge 110mm



SPECIFICATION

- **Hinge Type:** Interfold Hinge
- **Material:** High strength Aluminium Alloy T6 minimum tensile 254 mpa
- **Hinge Pin:** 6mm Diameter Stainless Steel 304 grade.
- **Bushes:** Flanged Nylon
- **Knuckle:** Squareline - Heavy Duty
- **Endcaps:** Aluminium Pressed Interference fit
- **Face Fix:** N/A
- **Hinge Positioning Locator:** Yes
- **Maximum Weight Capacity:** 40kg's – 3 Hinges

INSTALLATION GUIDE

- Minimum Door Thickness 35mm
- Suitable for Aluminium & some Timber doors in Aluminium frames
- As a guide doors:
 - 2040 high x 820 up to 80kg – 3 hinges
- Recommended that the minimum of 3 hinges be used with the top hinge located as high as possible.
- Where door closers are or to be installed and or higher traffic doors a fourth hinge may be required

FIXING

- Fastening screws supplied
- Aluminium fixings - 10G x 13mm, Stainless Steel undercut countersunk self-tapping Phillips drive screw.
- Timber fixings – 10G x 32mm Stainless Steel type AB self-tapping Phillips drive screw

Pop Rivets are NOT RECOMMENDED

FINISH

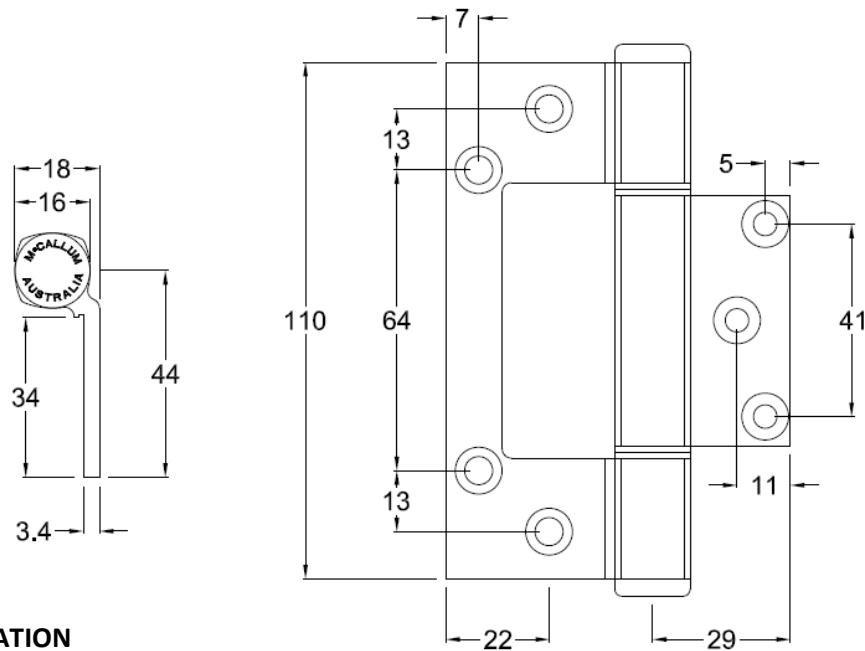
A115SNA – Satin Natural Anodised

A115BLK – Black Powder Coat

A115WHT – White Powder Coat

A115SPC – Special Powder Coat

A117 Aluminium Interfold Hinge 110mm - Offset



SPECIFICATION

- **Hinge Type:** Interfold Hinge - Offset
- **Material:** High strength Aluminium Alloy T6 minimum tensile 254 mpa
- **Hinge Pin:** 6mm Diameter Stainless Steel 304 grade.
- **Bushes:** Flanged Nylon
- **Knuckle:** Squareline Offset - Heavy Duty
- **Endcaps:** Aluminium Pressed Interference fit
- **Face Fix:** N/A
- **Hinge Positioning Locator:** Yes
- **Maximum Weight Capacity:** 50kg's – 3 Hinges

INSTALLATION GUIDE

- Minimum Door Thickness 35mm
- Suitable for Aluminium & some Timber doors in Aluminium frames
- As a guide doors:
 - 2040 high x 820 up to 50kg – 3 hinges
- Recommended that the minimum of 3 hinges be used with the top hinge located as high as possible.
- Where door closers are or to be installed and or higher traffic doors a fourth hinge may be required

FIXING

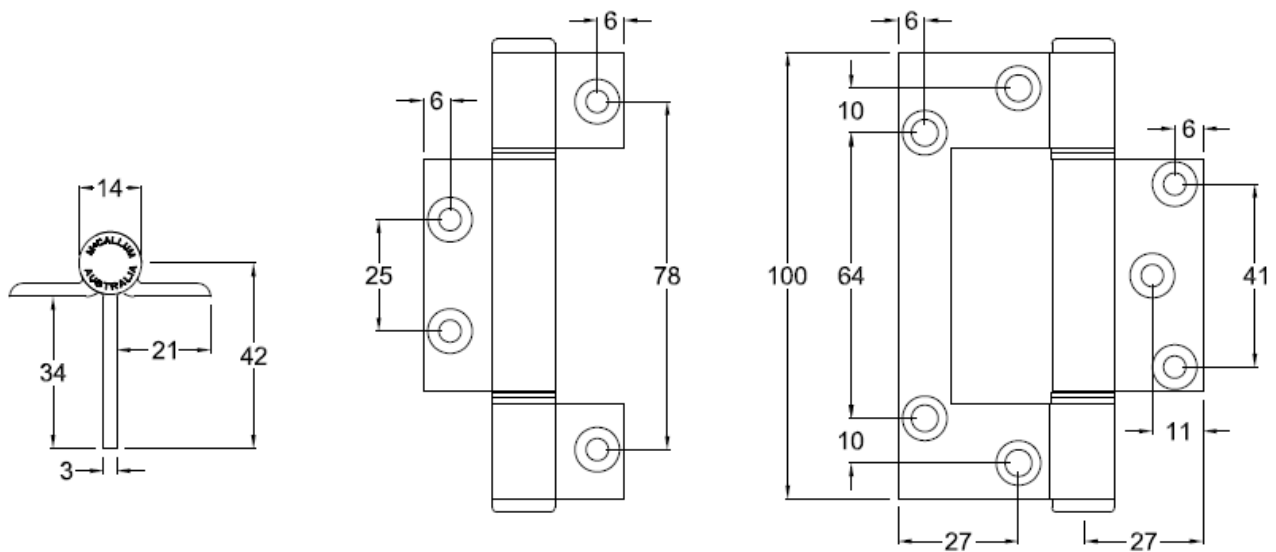
- Fastening screws supplied
- Aluminium fixings - 10G x 13mm, Stainless Steel undercut countersunk self-tapping Phillips drive screw.
- Timber fixings – 10G x 32mm Stainless Steel type AB self-tapping Phillips drive screw

Pop Rivets are NOT RECOMMENDED

FINISH

- A117SNA – Satin Natural Anodised
- A117BLK – Black Powder Coat
- A117WHT – White Powder Coat
- A117SPC – Special Powder Coat

A124 Aluminium Interfold Hinge 100mm Wrap-around face fix



SPECIFICATION

- **Hinge Type:** Interfold Hinge
- **Material:** High strength Aluminium Alloy T6 minimum tensile 254 mpa
- **Hinge Pin:** 6mm Diameter Stainless Steel 304 grade.
- **Bushes:** Flanged Nylon
- **Knuckle:** Round Centre - Medium Duty
- **Endcaps:** Aluminium Pressed Interference fit
- **Face Fix:** Wrap-around face fixing to door & frame.
- **Hinge Positioning Locator:** Yes
- **Maximum Weight Capacity:** 20kg's – 3 Hinges

INSTALLATION GUIDE

- Minimum Door Thickness 35mm
- Suitable for Aluminium & some Timber doors in Aluminium frames
- As a guide doors:
 - 2040 high x 820 up to 20kg – 3 hinges
- Recommended that the minimum of 3 hinges be used with the top hinge located as high as possible.
- Where door closers are or to be installed and or higher traffic doors a fourth hinge may be required

FIXING

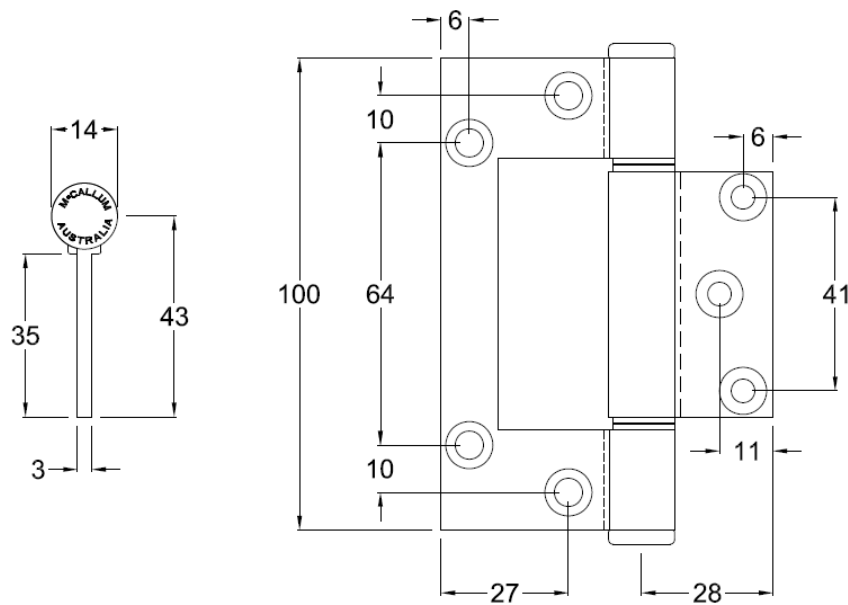
- Fastening screws supplied
- Aluminium fixings - 10G x 13mm, Stainless Steel undercut countersunk self-tapping Phillips drive screw.
- Face fixing to the door and frame.

Pop Rivets are NOT RECOMMENDED

FINISH

A124SNA – Satin Natural Anodised
A124BLK – Black Powder Coat
A124WHT – White Powder Coat
A124SPC – Special Powder Coat

A125 Aluminium Interfold Hinge 100mm



SPECIFICATION

- **Hinge Type:** Interfold Hinge
- **Material:** High strength Aluminium Alloy T6 minimum tensile 254 mpa
- **Hinge Pin:** 6mm Diameter Stainless Steel 304 grade.
- **Bushes:** Flanged Nylon
- **Knuckle:** Round Centre - Medium Duty
- **Endcaps:** Aluminium Pressed Interference fit
- **Face Fix:** N/A
- **Hinge Positioning Locator:** Yes
- **Maximum Weight Capacity:** 20kg's – 3 Hinges

INSTALLATION GUIDE

- Minimum Door Thickness 35mm
- Suitable for Aluminium & some Timber doors in Aluminium frames
- As a guide doors:
 - 2040 high x 820 up to 20kg – 3 hinges
- Recommended that the minimum of 3 hinges be used with the top hinge located as high as possible.
- Where door closers are or to be installed and or higher traffic doors a fourth hinge may be required

FIXING

- Fastening screws supplied
- Aluminium fixings - 10G x 13mm, Stainless Steel undercut countersunk self-tapping Phillips drive screw.
- Timber fixings – 10G x 32mm Stainless Steel type AB self-tapping Phillips drive screw

Pop Rivets are NOT RECOMMENDED

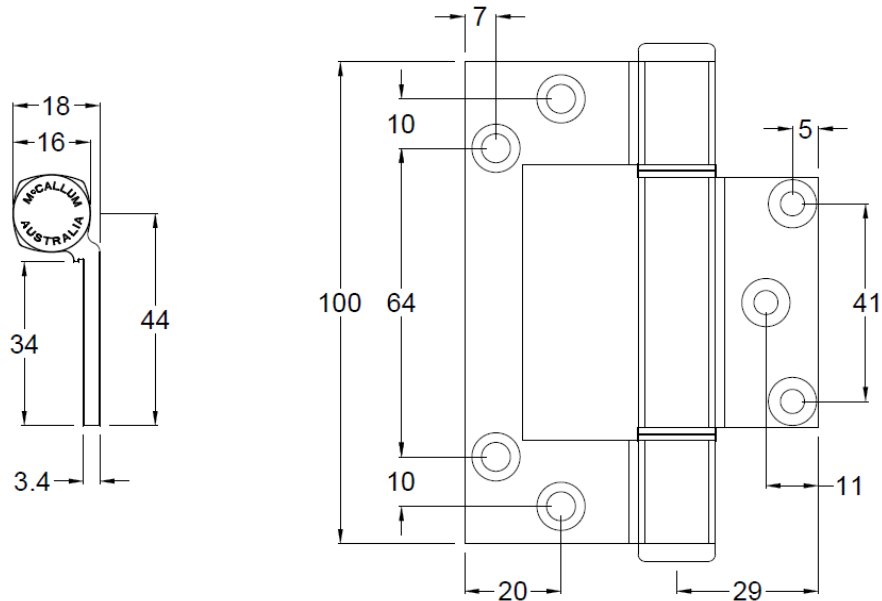
FINISH

A125SNA – Satin Natural Anodised

A125BLK – Black Powder Coat

A125WHT – White Powder Coat

A127 Aluminium Interfold Hinge 100mm - Offset



SPECIFICATION

- **Hinge Type:** Interfold Hinge - Offset
- **Material:** High strength Aluminium Alloy T6 minimum tensile 254 mpa
- **Hinge Pin:** 6mm Diameter Stainless Steel 304 grade.
- **Bushes:** Flanged Nylon
- **Knuckle:** Squareline Offset - Heavy Duty
- **Endcaps:** Aluminium Pressed Interference fit
- **Face Fix:** N/A
- **Hinge Positioning Locator:** Yes
- **Maximum Weight Capacity:** 40kg's – 3 Hinges

INSTALLATION GUIDE

- Minimum Door Thickness 35mm
- Suitable for Aluminium & some Timber doors in Aluminium frames
- As a guide doors:
 - 2040 high x 820 up to 40kg – 3 hinges
- Recommended that the minimum of 3 hinges be used with the top hinge located as high as possible.
- Where door closers are or to be installed and or higher traffic doors a fourth hinge may be required

FIXING

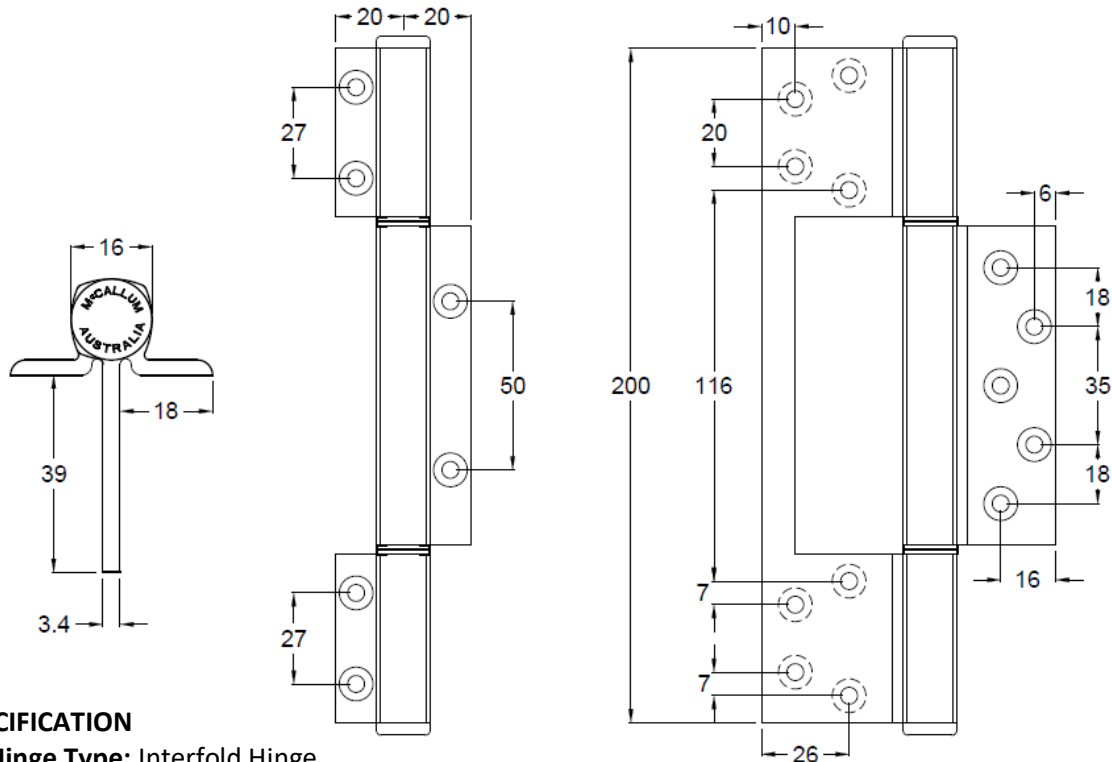
- Fastening screws supplied
- Aluminium fixings - 10G x 13mm, Stainless Steel undercut countersunk self-tapping Phillips drive screw.
- Timber fixings – 10G x 32mm Stainless Steel type AB self-tapping Phillips drive screw

Pop Rivets are NOT RECOMMENDED

FINISH

- A127SNA – Satin Natural Anodised
- A127BLK – Black Powder Coat
- A127WHT – White Powder Coat
- A127SPC – Special Powder Coat

A134 Aluminium Interfold Hinge 200mm Wrap-around face fix



SPECIFICATION

- **Hinge Type:** Interfold Hinge
- **Material:** High strength Aluminium Alloy T6 minimum tensile 254 mpa
- **Hinge Pin:** 6mm Diameter Stainless Steel 304 grade.
- **Bushes:** Flanged Nylon
- **Knuckle:** Squareline - Heavy Duty
- **Endcaps:** Aluminium Pressed Interference fit
- **Face Fix:** Wrap-around face fixing to door & frame.
- **Hinge Positioning Locator:** Yes
- **Maximum Weight Capacity:** 120kg's – 3 Hinges

INSTALLATION GUIDE

- Minimum Door Thickness 40mm
- Suitable for Aluminium & some Timber doors in Aluminium frames
- As a guide doors:
 - 2040 high x 820 up to 120kg – 3 hinges
- Recommended that the minimum of 3 hinges be used with the top hinge located as high as possible.
- Where door closers are or to be installed and or higher traffic doors a fourth hinge may be required

FIXING

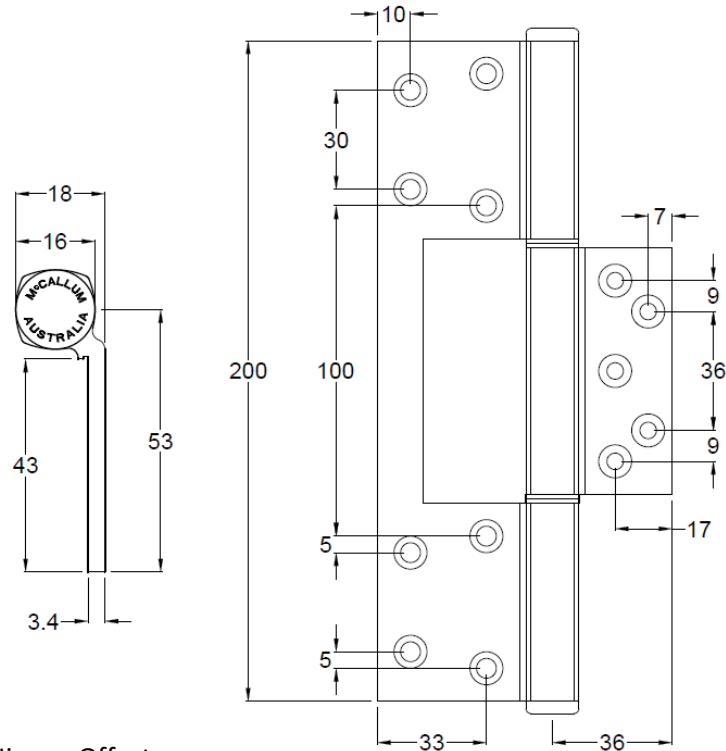
- Fastening screws supplied
- Aluminium fixings - 10G x 13mm, Stainless Steel undercut countersunk self-tapping Phillips drive screw.
- Face fixing to the door and frame.

Pop Rivets are NOT RECOMMENDED

FINISH

A134SNA – Satin Natural Anodised
A134BLK – Black Powder Coat
A134WHT – White Powder Coat

A137 Aluminium Interfold Hinge 200mm - Offset



SPECIFICATION

- **Hinge Type:** Interfold Hinge - Offset
- **Material:** High strength Aluminium Alloy T6 minimum tensile 254 mpa
- **Hinge Pin:** 6mm Diameter Stainless Steel 304 grade.
- **Bushes:** Flanged Nylon
- **Knuckle:** Squareline Offset - Heavy Duty
- **Endcaps:** Aluminium Pressed Interference fit
- **Face Fix:** N/A
- **Hinge Positioning Locator:** Yes
- **Maximum Weight Capacity:** 100kg's – 3 Hinges

INSTALLATION GUIDE

- Minimum Door Thickness 45mm
- Suitable for Aluminium & some Timber doors in Aluminium frames
- As a guide doors:
 - 2040 high x 820 up to 100kg – 3 hinges
- Recommended that the minimum of 3 hinges be used with the top hinge located as high as possible.
- Where door closers are or to be installed and or higher traffic doors a fourth hinge may be required

FIXING

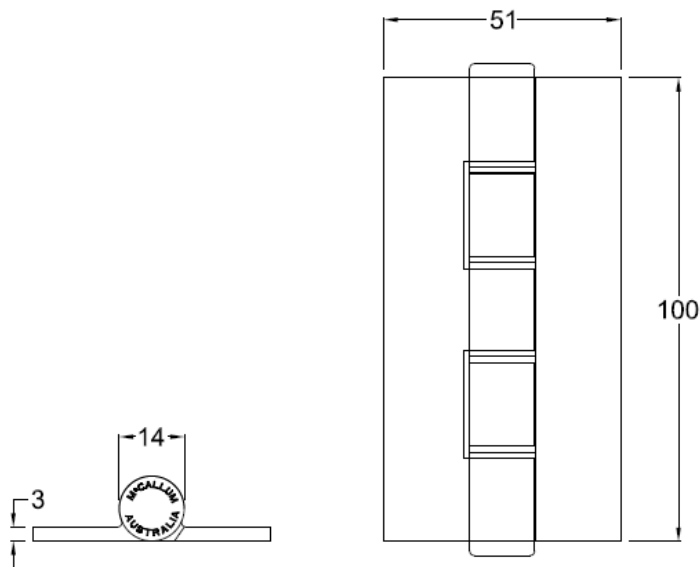
- Fastening screws supplied
- Aluminium fixings - 10G x 13mm, Stainless Steel undercut countersunk self-tapping Phillips drive screw.

Pop Rivets are NOT RECOMMENDED

FINISH

A137SNA – Satin Natural Anodised
A137BLK – Black Powder Coat
A137WHT – White Powder Coat

A140 Aluminium Blank Butt Hinge 100x51x3mm - Undrilled



SPECIFICATION

- **Hinge Type:** Butt Hinge - Undrilled
- **Material:** High strength Aluminium Alloy T6 minimum tensile 254 mpa
- **Hinge Pin:** 4.7mm Diameter Stainless Steel 304 grade.
- **Bushes:** Flanged Nylon
- **Knuckle:** Round
- **Endcaps:** Aluminium Pressed Interference fit
- **Face Fix:** N/A
- **Hinge Positioning Locator:** N/A
- **Maximum Weight Capacity:** 20kg's – 3 Hinges

INSTALLATION GUIDE

- Minimum Door Thickness 35mm
- Suitable for Aluminium & partitions in medium usage situations.
- As a guide doors:
 - 2040 high x 820 up to 20kg – 3 hinges
- Recommended that the minimum of 3 hinges be used with the top hinge located as high as possible.

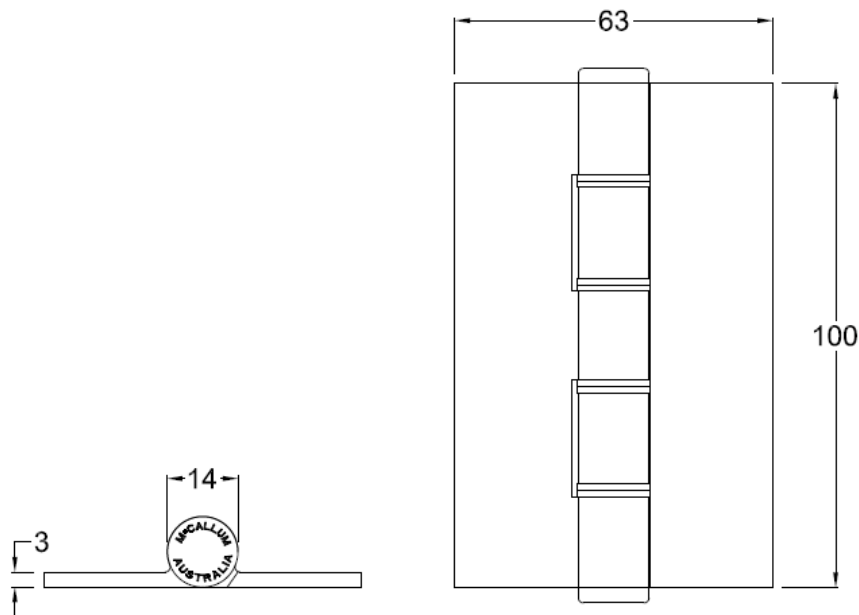
FIXING

- Fastening screws **NOT** supplied
- Pop Rivets are NOT RECOMMENDED**

FINISH

A140SNA – Satin Natural Anodised

A141 Aluminium Blank Butt Hinge 100x63x3mm - Undrilled



SPECIFICATION

- **Hinge Type:** Butt Hinge - Undrilled
- **Material:** High strength Aluminium Alloy T6 minimum tensile 254 mpa
- **Hinge Pin:** 4.7mm Diameter Stainless Steel 304 grade.
- **Bushes:** Flanged Nylon
- **Knuckle:** Round
- **Endcaps:** Aluminium Pressed Interference fit
- **Face Fix:** N/A
- **Hinge Positioning Locator:** N/A
- **Maximum Weight Capacity:** 20kg's – 3 Hinges

INSTALLATION GUIDE

- Minimum Door Thickness 35mm
- Suitable for Aluminium & partitions in medium usage situations.
- As a guide doors:
 - 2040 high x 820 up to 20kg – 3 hinges
- Recommended that the minimum of 3 hinges be used with the top hinge located as high as possible.

FIXING

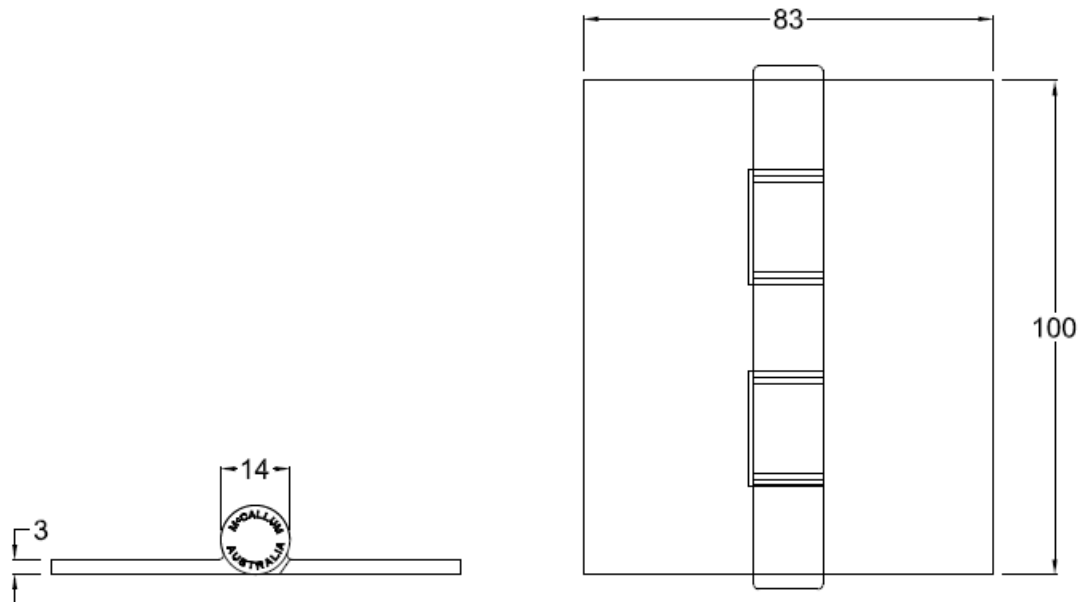
- Fastening screws **NOT** supplied

Pop Rivets are NOT RECOMMENDED

FINISH

A141SNA – Satin Natural Anodised

A142 Aluminium Blank Butt Hinge 100x83x3mm - Undrilled



SPECIFICATION

- **Hinge Type:** Butt Hinge - Undrilled
- **Material:** High strength Aluminium Alloy T6 minimum tensile 254 mpa
- **Hinge Pin:** 4.7mm Diameter Stainless Steel 304 grade.
- **Bushes:** Flanged Nylon
- **Knuckle:** Round
- **Endcaps:** Aluminium Pressed Interference fit
- **Face Fix:** N/A
- **Hinge Positioning Locator:** N/A
- **Maximum Weight Capacity:** 20kg's – 3 Hinges

INSTALLATION GUIDE

- Minimum Door Thickness 35mm
- Suitable for Aluminium & partitions in medium usage situations.
- As a guide doors:
 - 2040 high x 820 up to 20kg – 3 hinges
- Recommended that the minimum of 3 hinges be used with the top hinge located as high as possible.

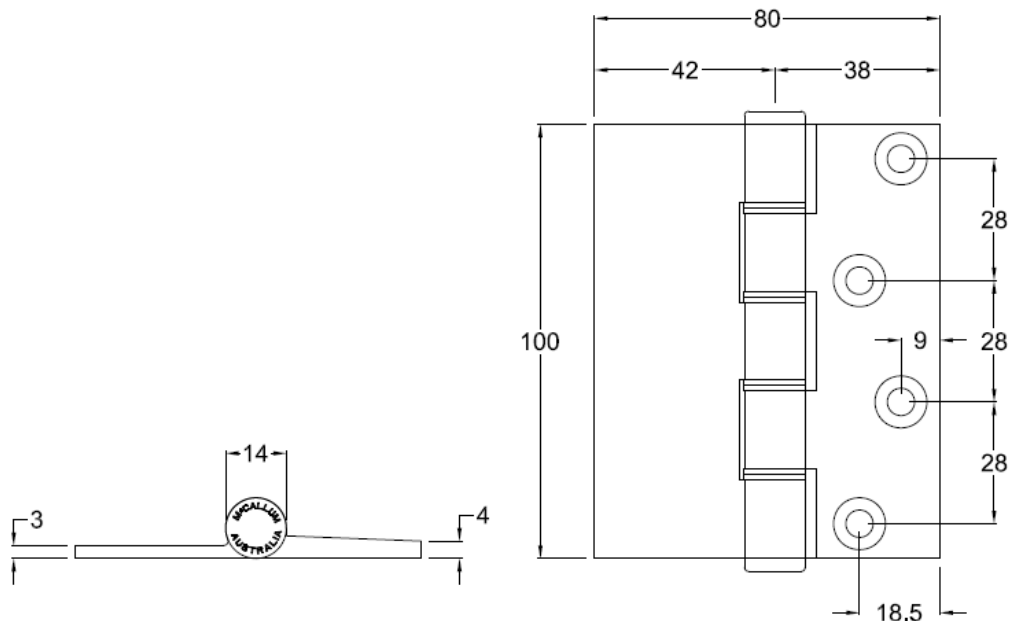
FIXING

- Fastening screws **NOT** supplied
- Pop Rivets are NOT RECOMMENDED**

FINISH

A142SNA – Satin Natural Anodised

A143 Aluminium Combination Butt Hinge 100x80x3mm



SPECIFICATION

- **Hinge Type:** Combination Butt Hinge Fixed Pin
- **Material:** High strength Aluminium Alloy T6 minimum tensile 254 mpa
- **Hinge Pin:** 4.7mm Diameter Stainless Steel 304 grade.
- **Bushes:** Flanged Nylon
- **Knuckle:** Round
- **Endcaps:** Aluminium Pressed Interference fit
- **Face Fix:** N/A
- **Hinge Positioning Locator:** N/A
- **Maximum Weight Capacity:** 20kg's – 3 Hinges

INSTALLATION GUIDE

- Minimum Door Thickness 35mm
- Suitable for Timber doors in Aluminium frames and partitions.
- As a guide doors:
 - 2040 high x 820 up to 20kg – 3 hinges
- Recommended that the minimum of 3 hinges be used with the top hinge located as high as possible.

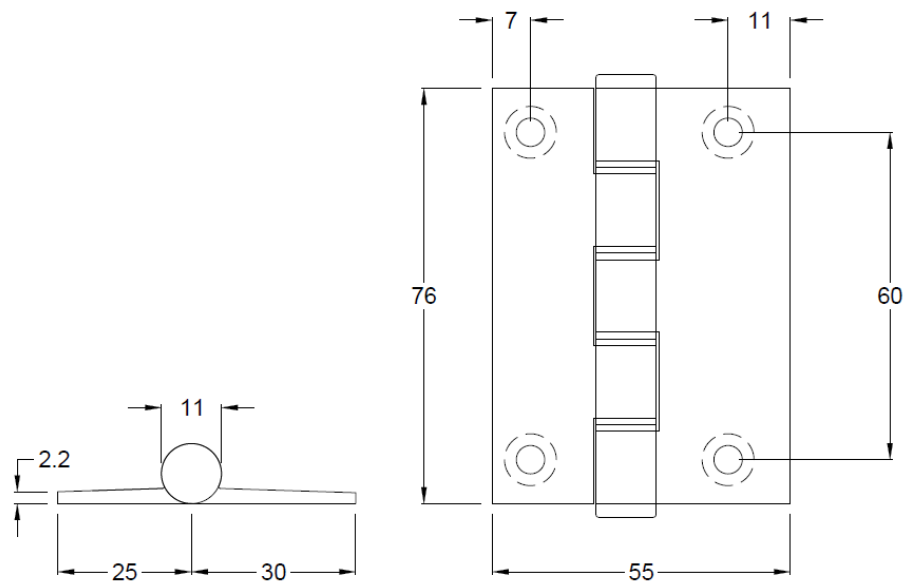
FIXING

- Fastening screws **NOT** supplied
- Pop Rivets are NOT RECOMMENDED**

FINISH

A143SNA – Satin Natural Anodised

A146 Aluminium Door & Window Butt Hinge 76x55x2.2mm



SPECIFICATION

- **Hinge Type:** Butt Hinge Fixed Pin
- **Material:** High strength Aluminium Alloy T6 minimum tensile 254 mpa
- **Hinge Pin:** 4mm Diameter Stainless Steel 304 grade.
- **Bushes:** Flanged Nylon
- **Knuckle:** Round
- **Endcaps:** Aluminium Pressed Interference fit
- **Face Fix:** N/A
- **Hinge Positioning Locator:** N/A
- **Maximum Weight Capacity:** 20kg's – 3 Hinges

INSTALLATION GUIDE

- Minimum Door Thickness 30mm
- Suitable for Aluminium doors and window in aluminium frames.
- As a guide doors:
 - 2040 high x 820 up to 20kg – 3 hinges
- Recommended that the minimum of 3 hinges be used with the top hinge located as high as possible.

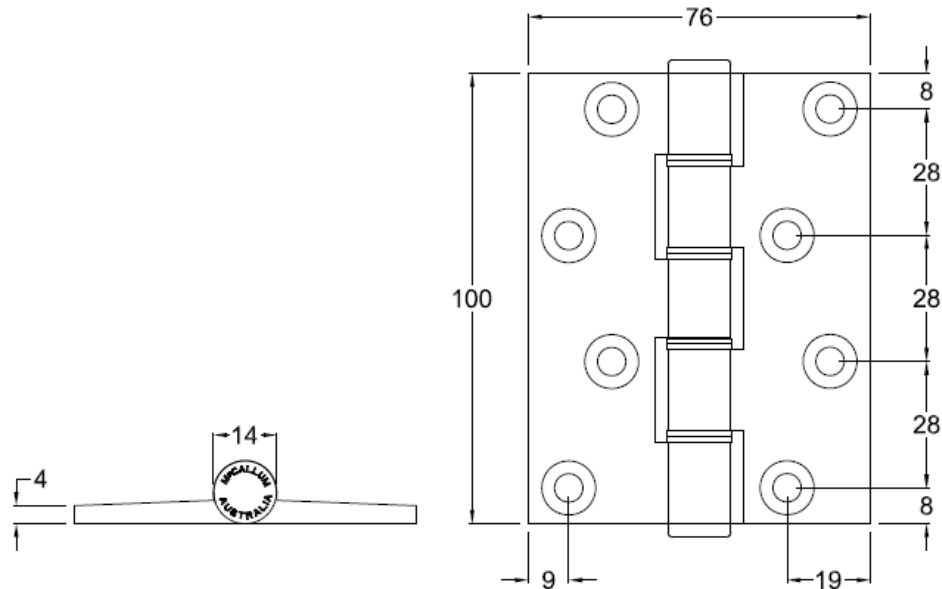
FIXING

- Fastening screws **NOT** supplied
- Pop Rivets are NOT RECOMMENDED**

FINISH

A146SNA – Satin Natural Anodised

A150 Aluminium Butt Hinge 100x76mm



SPECIFICATION

- **Hinge Type:** Butt Hinge Fixed Pin
- **Material:** High strength Aluminium Alloy T6 minimum tensile 254 mpa
- **Hinge Pin:** 4.7mm Diameter Stainless Steel 304 grade.
- **Bushes:** Flanged Nylon
- **Knuckle:** Round
- **Endcaps:** Aluminium Pressed Interference fit
- **Face Fix:** N/A
- **Hinge Positioning Locator:** N/A
- **Maximum Weight Capacity:** 20kg's – 3 Hinges

INSTALLATION GUIDE

- Minimum Door Thickness 30mm
- Suitable for Timber doors in Timber frames.
- As a guide doors:
 - 2040 high x 820 up to 20kg – 3 hinges
- Recommended that the minimum of 3 hinges be used with the top hinge located as high as possible.

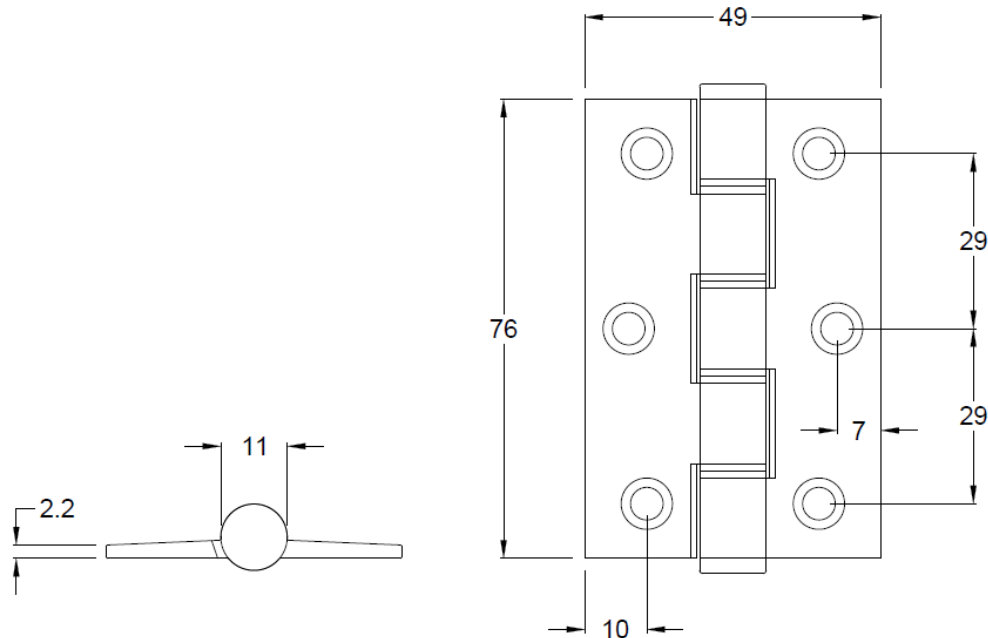
FIXING

- Fastening screws **NOT** supplied
- Pop Rivets are NOT RECOMMENDED**

FINISH

A150SNA – Satin Natural Anodised

A151 Aluminium Cabinet Butt Hinge 76x49mm



SPECIFICATION

- **Hinge Type:** Butt Hinge Fixed Pin
- **Material:** High strength Aluminium Alloy T6 minimum tensile 254 mpa
- **Hinge Pin:** 4mm Diameter Stainless Steel 304 grade.
- **Bushes:** Flanged Nylon
- **Knuckle:** Round
- **Endcaps:** Aluminium Pressed Interference fit
- **Face Fix:** N/A
- **Hinge Positioning Locator:** N/A

INSTALLATION GUIDE

- Minimum Door Thickness 17mm
- Suitable for Timber or Metal cabinet / furniture doors.

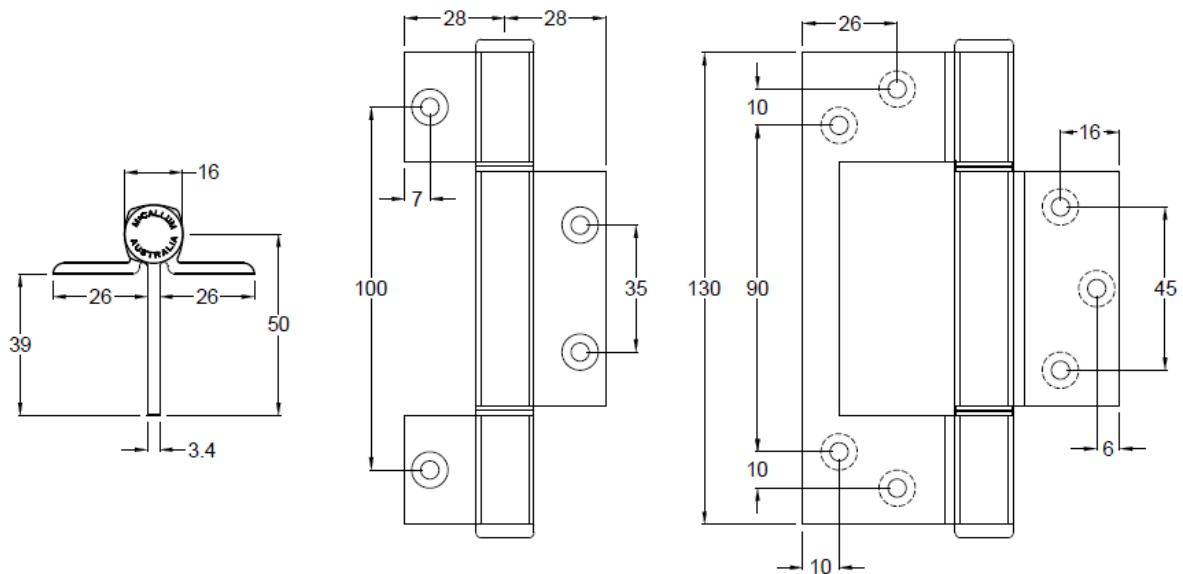
FIXING

- Fastening screws **NOT** supplied
- Pop Rivets are NOT RECOMMENDED**

FINISH

A151SNA – Satin Natural Anodised

A154 Aluminium Interfold Hinge 130mm Wrap-around face fix



SPECIFICATION

- **Hinge Type:** Interfold Hinge
- **Material:** High strength Aluminium Alloy T6 minimum tensile 254 mpa
- **Hinge Pin:** 6mm Diameter Stainless Steel 304 grade.
- **Bushes:** Flanged Nylon
- **Knuckle:** Squareline - Heavy Duty
- **Endcaps:** Aluminium Pressed Interference fit
- **Face Fix:** Wrap-around face fixing to door & frame.
- **Hinge Positioning Locator:** Yes
- **Maximum Weight Capacity:** 100kg's – 3 Hinges

INSTALLATION GUIDE

- Minimum Door Thickness 40mm
- Suitable for Aluminium & Timber doors in Aluminium frames
- As a guide doors:
 - 2040 high x 820 up to 100kg – 3 hinges
- Recommended that the minimum of 3 hinges be used with the top hinge located as high as possible.
- Where door closers are or to be installed and or higher traffic doors a fourth hinge may be required

FIXING

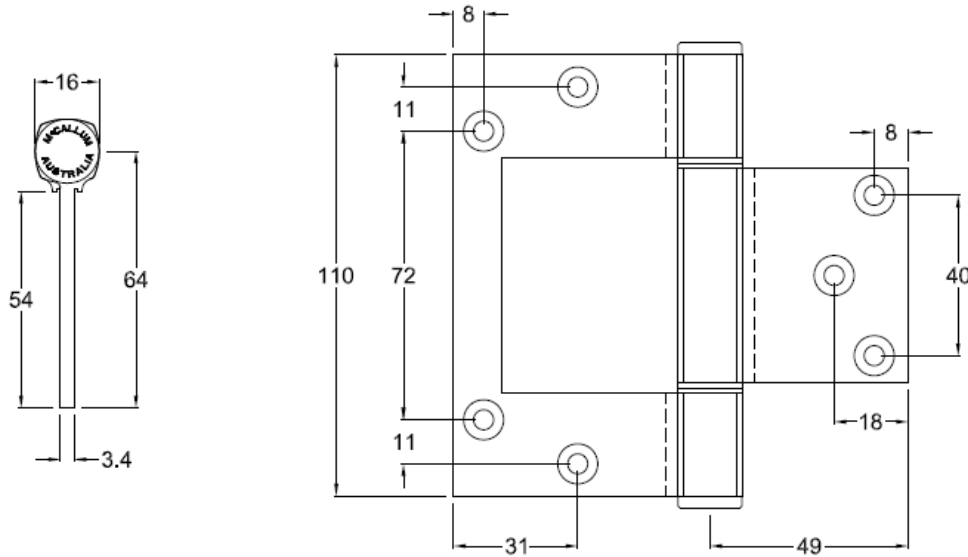
- Fastening screws supplied
- Aluminium fixings - 10G x 13mm, Stainless Steel undercut countersunk self-tapping Phillips drive screw.
- Timber fixings – 10G x 32mm Stainless Steel type AB self-tapping Phillips drive screw

Pop Rivets are NOT RECOMMENDED

FINISH

A154SNA – Satin Natural Anodised
A154BLK – Black Powder Coat
A154WHT – White Powder Coat
A154SPC – Special Powder Coat

A155 Aluminium Wide Throw Interfold Hinge 110mm



SPECIFICATION

- **Hinge Type:** Wide Throw Interfold Hinge – 15mm extra wide throw.
- **Material:** High strength Aluminium Alloy T6 minimum tensile 254 mpa
- **Hinge Pin:** 6mm Diameter Stainless Steel 304 grade.
- **Bushes:** Flanged Nylon
- **Knuckle:** Squareline - Heavy Duty
- **Endcaps:** Aluminium Pressed Interference fit
- **Face Fix:** N/A
- **Hinge Positioning Locator:** Yes
- **Maximum Weight Capacity:** 40kg's – 3 Hinges

INSTALLATION GUIDE

- Minimum Door Thickness 40mm
- Suitable for Aluminium & some Timber doors in Aluminium frames
- As a guide doors:
 - 2040 high x 820 up to 40kg – 3 hinges
- Recommended that the minimum of 3 hinges be used with the top hinge located as high as possible.
- Where door closers are or to be installed and or higher traffic doors a fourth hinge may be required

FIXING

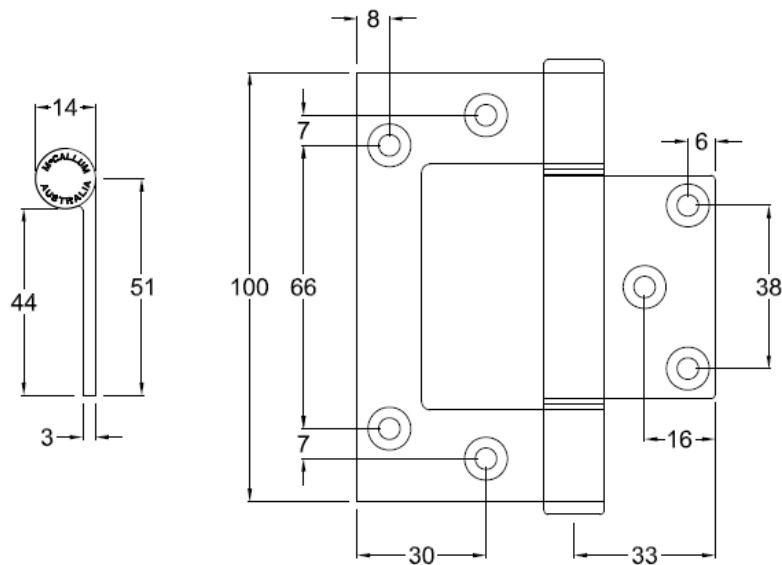
- Fastening screws supplied
- Aluminium fixings - 10G x 13mm, Stainless Steel undercut countersunk self-tapping Phillips drive screw.
- Timber fixings – 10G x 32mm Stainless Steel type AB self-tapping Phillips drive screw

Pop Rivets are NOT RECOMMENDED

FINISH

A155SNA – Satin Natural Anodised
A155BLK – Black Powder Coat
A155WHT – White Powder Coat

A163 Aluminium Interfold Hinge 100mm - Offset



SPECIFICATION

- **Hinge Type:** Interfold Hinge - Offset
- **Material:** High strength Aluminium Alloy T6 minimum tensile 254 mpa
- **Hinge Pin:** 4.7mm Diameter Stainless Steel 304 grade.
- **Bushes:** Flanged Nylon
- **Knuckle:** Round Offset - Medium Duty
- **Endcaps:** Aluminium Pressed Interference fit
- **Face Fix:** N/A
- **Hinge Positioning Locator:** N/A
- **Maximum Weight Capacity:** 20kg's – 3 Hinges

INSTALLATION GUIDE

- Minimum Door Thickness 35mm
- Suitable for Aluminium & some Timber doors in Aluminium frames
- As a guide doors:
 - 2040 high x 820 up to 20kg – 3 hinges
- Recommended that the minimum of 3 hinges be used with the top hinge located as high as possible.
- Where door closers are or to be installed and or higher traffic doors a fourth hinge may be required

FIXING

- Fastening screws supplied
- Aluminium fixings - 10G x 13mm, Stainless Steel undercut countersunk self-tapping Phillips drive screw.
- Timber fixings – 10G x 32mm Stainless Steel type AB self-tapping Phillips drive screw

Pop Rivets are NOT RECOMMENDED

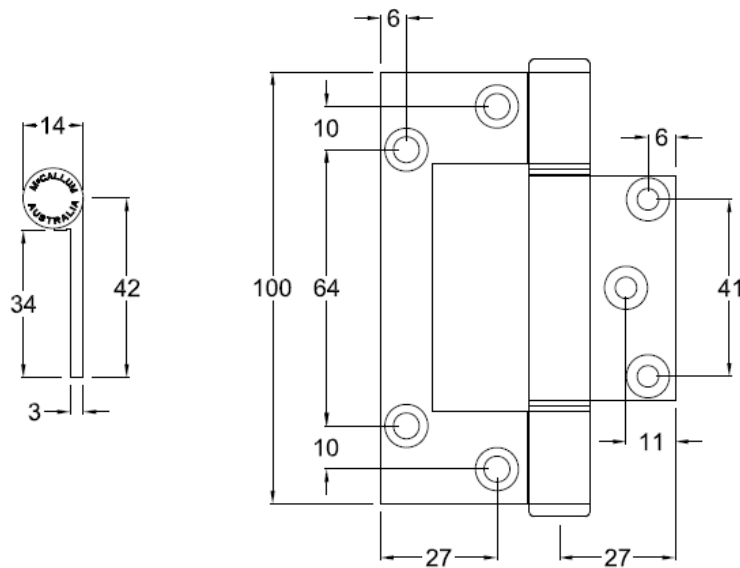
FINISH

A163SNA – Satin Natural Anodised

A163BLK – Black Powder Coat

A163WHT – White Powder Coat

A165 Aluminium Interfold Hinge 100mm - Offset



SPECIFICATION

- **Hinge Type:** Interfold Hinge - Offset
- **Material:** High strength Aluminium Alloy T6 minimum tensile 254 mpa
- **Hinge Pin:** 4.7mm Diameter Stainless Steel 304 grade.
- **Bushes:** Flanged Nylon
- **Knuckle:** Round Offset - Medium Duty
- **Endcaps:** Aluminium Pressed Interference fit
- **Face Fix:** N/A
- **Hinge Positioning Locator:** Yes
- **Maximum Weight Capacity:** 20kg's – 3 Hinges

INSTALLATION GUIDE

- Minimum Door Thickness 35mm
- Suitable for Aluminium & some Timber doors in Aluminium frames
- As a guide doors:
 - 2040 high x 820 up to 20kg – 3 hinges
- Recommended that the minimum of 3 hinges be used with the top hinge located as high as possible.
- Where door closers are or to be installed and or higher traffic doors a fourth hinge may be required

FIXING

- Fastening screws supplied
- Aluminium fixings - 10G x 13mm, Stainless Steel undercut countersunk self-tapping Phillips drive screw.
- Timber fixings – 10G x 32mm Stainless Steel type AB self-tapping Phillips drive screw

Pop Rivets are NOT RECOMMENDED

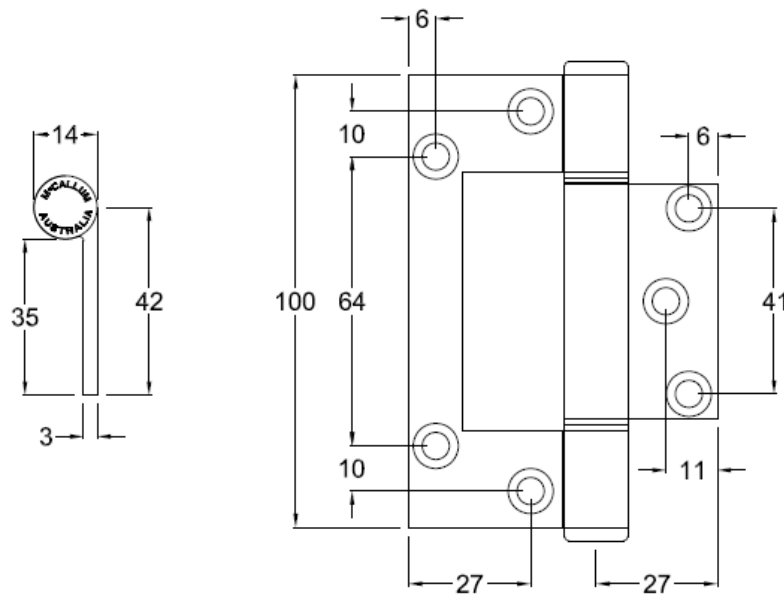
FINISH

A165SNA – Satin Natural Anodised

A165BLK – Black Powder Coat

A165WHT – White Powder Coat

A166 Aluminium Interfold Hinge 100mm - Offset



SPECIFICATION

- **Hinge Type:** Interfold Hinge - Offset
- **Material:** High strength Aluminium Alloy T6 minimum tensile 254 mpa
- **Hinge Pin:** 4.7mm Diameter Stainless Steel 304 grade.
- **Bushes:** Flanged Nylon
- **Knuckle:** Round Offset - Medium Duty
- **Endcaps:** Aluminium Pressed Interference fit
- **Face Fix:** N/A
- **Hinge Positioning Locator:** N/A
- **Maximum Weight Capacity:** 20kg's – 3 Hinges

INSTALLATION GUIDE

- Minimum Door Thickness 35mm
- Suitable for Aluminium & some Timber doors in Aluminium frames
- As a guide doors:
 - 2040 high x 820 up to 20kg – 3 hinges
- Recommended that the minimum of 3 hinges be used with the top hinge located as high as possible.
- Where door closers are or to be installed and or higher traffic doors a fourth hinge may be required

FIXING

- Fastening screws supplied
- Aluminium fixings - 10G x 13mm, Stainless Steel undercut countersunk self-tapping Phillips drive screw.
- Timber fixings – 10G x 32mm Stainless Steel type AB self-tapping Phillips drive screw

Pop Rivets are NOT RECOMMENDED

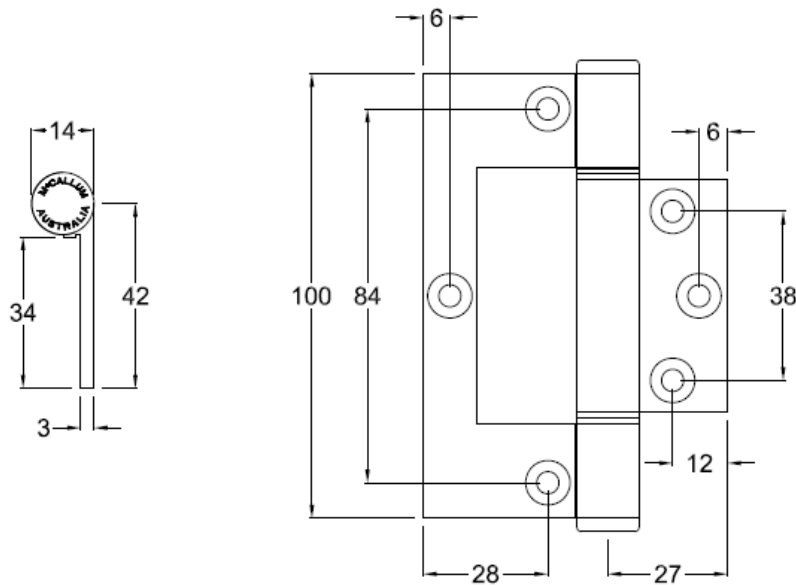
FINISH

A166SNA – Satin Natural Anodised

A166BLK – Black Powder Coat

A166WHT – White Powder Coat

A167 Aluminium Interfold Hinge 100mm - Offset



SPECIFICATION

- **Hinge Type:** Interfold Hinge - Offset
- **Material:** High strength Aluminium Alloy T6 minimum tensile 254 mpa
- **Hinge Pin:** 4.7mm Diameter Stainless Steel 304 grade.
- **Bushes:** Flanged Nylon
- **Knuckle:** Round Offset - Medium Duty
- **Endcaps:** Aluminium Pressed Interference fit
- **Face Fix:** N/A
- **Hinge Positioning Locator:** Yes
- **Maximum Weight Capacity:** 20kg's – 3 Hinges

INSTALLATION GUIDE

- Minimum Door Thickness 35mm
- Suitable for Aluminium & some Timber doors in Aluminium frames
- As a guide doors:
 - 2040 high x 820 up to 20kg – 3 hinges
- Recommended that the minimum of 3 hinges be used with the top hinge located as high as possible.
- Where door closers are or to be installed and or higher traffic doors a fourth hinge may be required

FIXING

- Fastening screws supplied
- Aluminium fixings - 10G x 13mm, Stainless Steel undercut countersunk self-tapping Phillips drive screw.
- Timber fixings – 10G x 32mm Stainless Steel type AB self-tapping Phillips drive screw

Pop Rivets are NOT RECOMMENDED

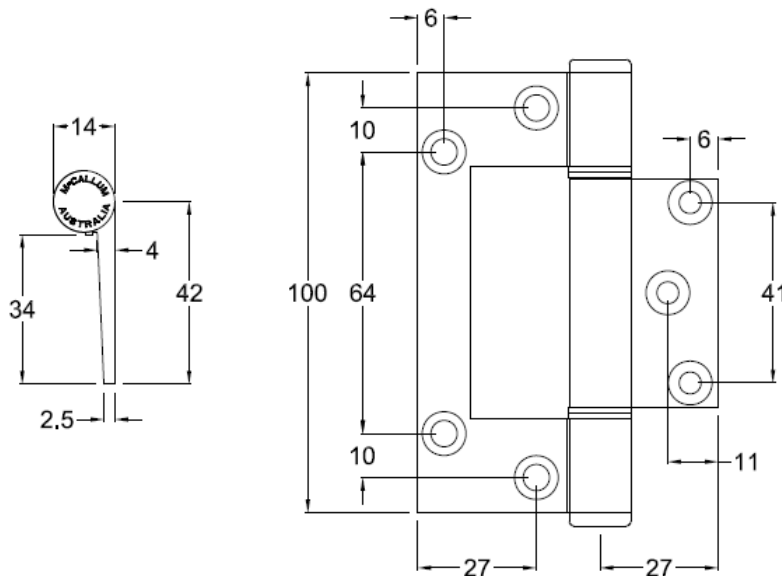
FINISH

A167SNA – Satin Natural Anodised

A167BLK – Black Powder Coat

A167WHT – White Powder Coat

A168 Aluminium Interfold Hinge 100mm - Offset



SPECIFICATION

- **Hinge Type:** Interfold Hinge - Offset
- **Material:** High strength Aluminium Alloy T6 minimum tensile 254 mpa
- **Hinge Pin:** 4.7mm Diameter Stainless Steel 304 grade.
- **Bushes:** Flanged Nylon
- **Knuckle:** Round Offset - Medium Duty
- **Endcaps:** Aluminium Pressed Interference fit
- **Face Fix:** N/A
- **Hinge Positioning Locator:** Yes
- **Maximum Weight Capacity:** 20kg's – 3 Hinges

INSTALLATION GUIDE

- Minimum Door Thickness 35mm
- Suitable for Aluminium & some Timber doors in Aluminium frames
- As a guide doors:
 - 2040 high x 820 up to 20kg – 3 hinges
- Recommended that the minimum of 3 hinges be used with the top hinge located as high as possible.
- Where door closers are or to be installed and or higher traffic doors a fourth hinge may be required

FIXING

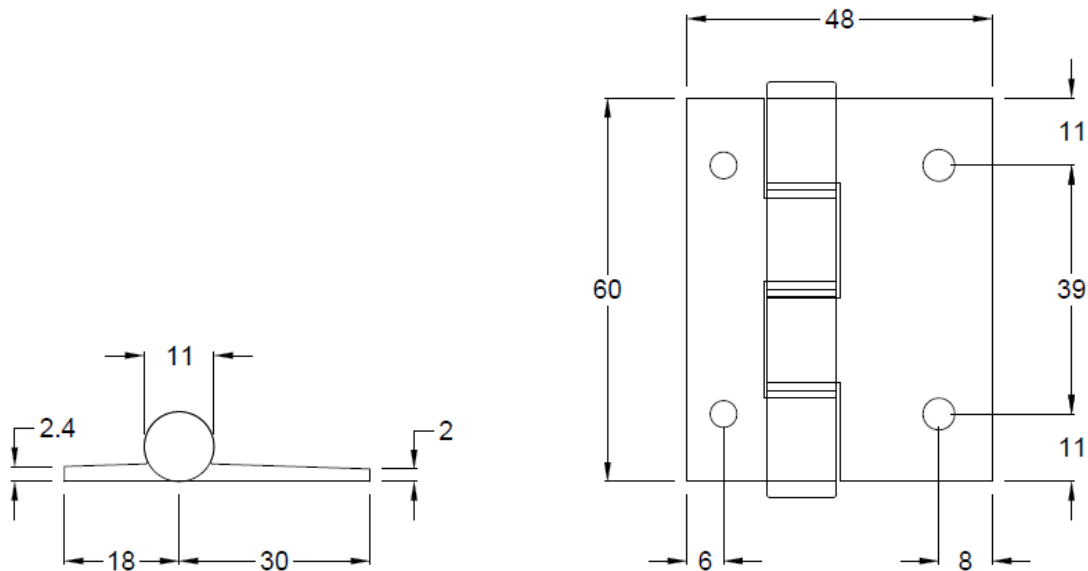
- Fastening screws supplied
- Aluminium fixings - 10G x 13mm, Stainless Steel undercut countersunk self-tapping Phillips drive screw.
- Timber fixings – 10G x 32mm Stainless Steel type AB self-tapping Phillips drive screw

Pop Rivets are NOT RECOMMENDED

FINISH

A168SNA – Satin Natural Anodised
A168BLK – Black Powder Coat
A168WHT – White Powder Coat

A170 Aluminium Door & Shower Butt Hinge 76x48x2.2mm



SPECIFICATION

- **Hinge Type:** Butt Hinge Fixed Pin
- **Material:** High strength Aluminium Alloy T6 minimum tensile 254 mpa
- **Hinge Pin:** 4mm Diameter Stainless Steel 304 grade.
- **Bushes:** Flanged Nylon
- **Knuckle:** Round
- **Endcaps:** Aluminium Pressed Interference fit
- **Face Fix:** N/A
- **Hinge Positioning Locator:** N/A

INSTALLATION GUIDE

- Suitable for Aluminium Windows and Frames as well as some Shower Screens.

FIXING

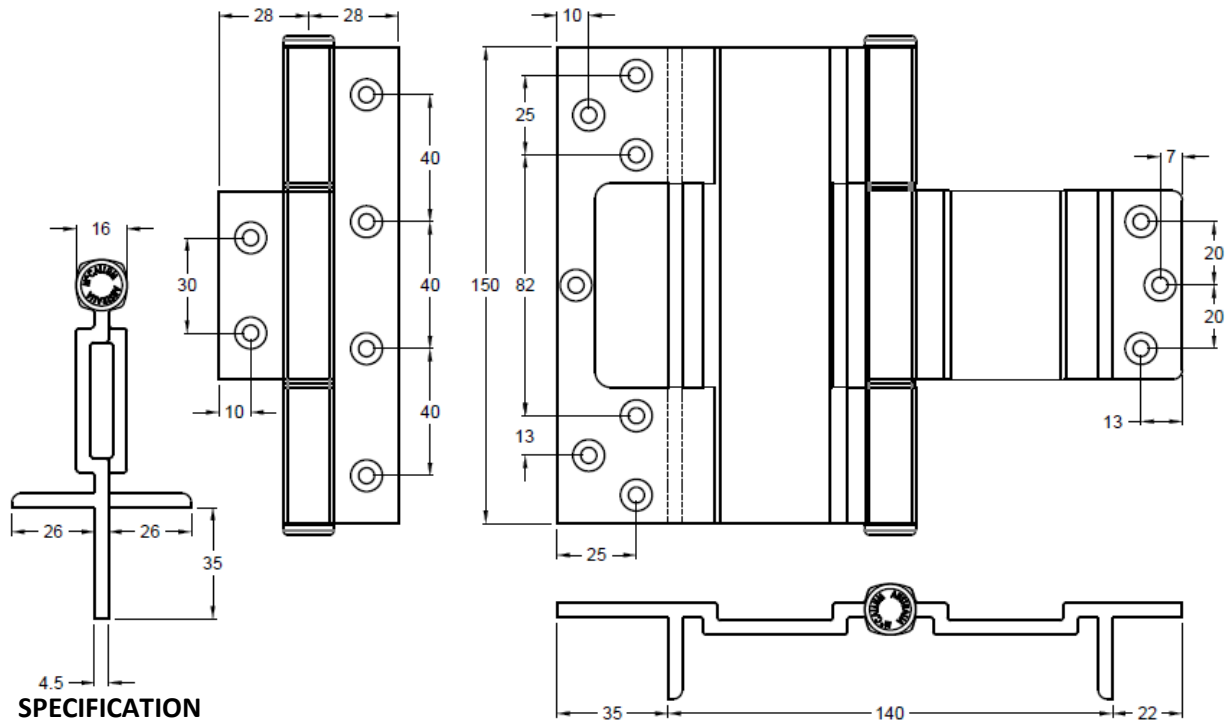
- Fastening screws **NOT** supplied

Pop Rivets are NOT RECOMMENDED

FINISH

A170SNA – Satin Natural Anodised

A171 Aluminium Parliament Wide Throw Interfold Hinge



SPECIFICATION

- **Hinge Type:** Wide Throw Interfold Hinge – 140mm wide throw.
- **Material:** High strength Aluminium Alloy T6 minimum tensile 254 mpa
- **Hinge Pin:** 6mm Diameter Stainless Steel 304 grade.
- **Bushes:** Flanged Nylon
- **Knuckle:** Squareline - Heavy Duty
- **Endcaps:** Aluminium Pressed Interference fit
- **Face Fix:** Wrap-around face fixing to door & frame.
- **Hinge Positioning Locator:** Yes
- **Maximum Weight Capacity:** 60kg's – 3 Hinges

INSTALLATION GUIDE

- Minimum Door Thickness 40mm
- Suitable for Aluminium & some Timber doors in Aluminium frames
- As a guide doors:
 - 2040 high x 820 up to 60kg – 3 hinges
- Recommended that the minimum of 3 hinges be used with the top hinge located as high as possible.
- Where door closers are or to be installed and or higher traffic doors a fourth hinge may be required

FIXING

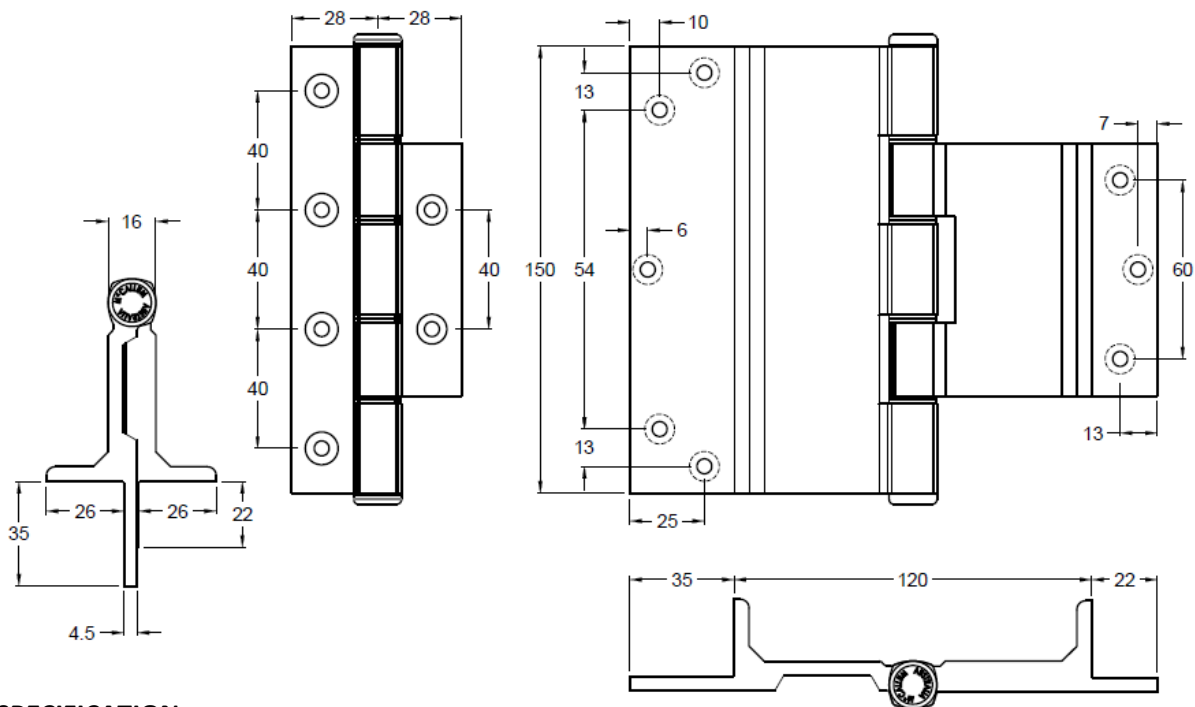
- Fastening screws supplied
- Aluminium fixings - 10G x 13mm, Stainless Steel undercut countersunk self-tapping Phillips drive screw.
- Timber fixings – 10G x 32mm Stainless Steel type AB self-tapping Phillips drive screw

Pop Rivets are NOT RECOMMENDED

FINISH

A171SNA – Satin Natural Anodised
A171BLK – Black Powder Coat
A171WHT – White Powder Coat

A172 Aluminium Parliament Wide Throw Interfold Hinge



SPECIFICATION

- **Hinge Type:** Wide Throw Interfold Hinge – 120mm wide throw.
- **Material:** High strength Aluminium Alloy T6 minimum tensile 254 mpa
- **Hinge Pin:** 8mm Diameter Stainless Steel 304 grade.
- **Bushes:** Flanged Nylon
- **Knuckle:** Squareline - Heavy Duty
- **Endcaps:** Aluminium Pressed Interference fit
- **Face Fix:** Wrap-around face fixing to door & frame.
- **Hinge Positioning Locator:** Yes
- **Maximum Weight Capacity:** 80kg's

INSTALLATION GUIDE

- Minimum Door Thickness 40mm
- Suitable for Aluminium & some Timber doors in Aluminium frames
- As a guide doors:
 - 2100 high x 920 up to 50kg – 3 hinges
 - 2100 high x 920 up to 80kg – 4 hinges
- Recommended that the minimum of 3 hinges be used with the top hinge located as high as possible.
- Where door closers are or to be installed and or higher traffic doors a fourth hinge may be required

FIXING

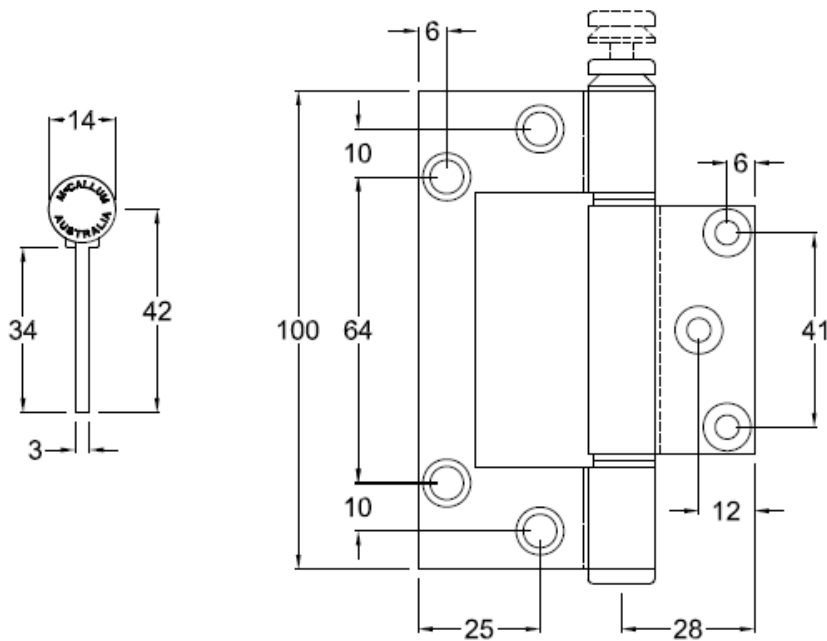
- Fastening screws supplied
- Aluminium fixings - 10G x 13mm, Stainless Steel undercut countersunk self-tapping Phillips drive screw.
- Timber fixings – 10G x 32mm Stainless Steel type AB self-tapping Phillips drive screw

Pop Rivets are NOT RECOMMENDED

FINISH

A172SNA – Satin Natural Anodised
A172BLK – Black Powder Coat
A172WHT – White Powder Coat

A173 Aluminium Interfold Hinge 100mm – Loose Pin



SPECIFICATION

- **Hinge Type:** Interfold Hinge – Loose Pin
- **Material:** High strength Aluminium Alloy T6 minimum tensile 254 mpa
- **Hinge Pin:** 6mm Diameter Stainless Steel 304 grade.
- **Bushes:** Flanged Nylon
- **Knuckle:** Squareline - Heavy Duty
- **Endcaps:** Aluminium Pressed Interference fit
- **Face Fix:** N/A
- **Hinge Positioning Locator:** Yes
- **Maximum Weight Capacity:** 20kg's – 3 Hinges

INSTALLATION GUIDE

- Minimum Door Thickness 35mm
- Suitable for Aluminium & some Timber doors in Aluminium frames
- Suits some **Lift Off** applications
- As a guide doors:
 - 2040 high x 820 up to 20kg – 3 hinges
- Recommended that the minimum of 3 hinges be used with the top hinge located as high as possible.
- Where door closers are or to be installed and or higher traffic doors a fourth hinge may be required

FIXING

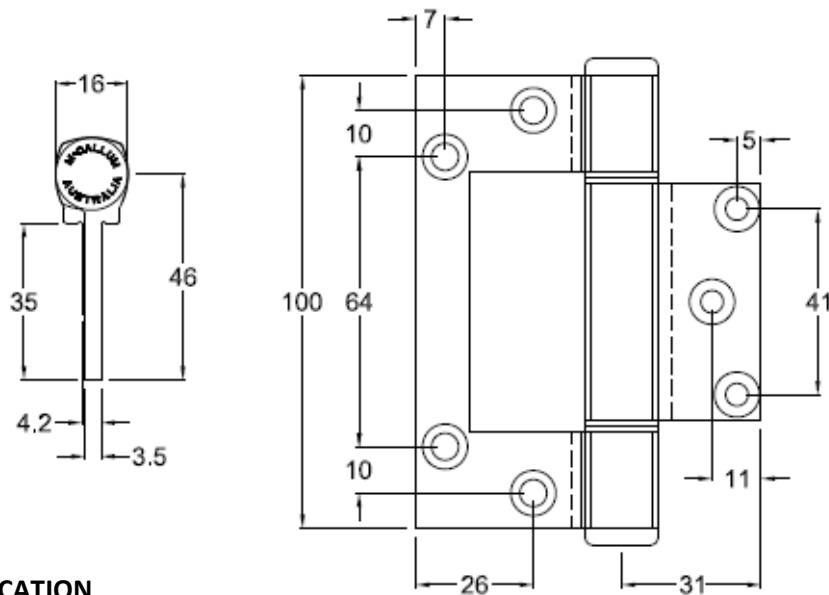
- Fastening screws supplied
- Aluminium fixings - 10G x 13mm, Stainless Steel undercut countersunk self-tapping Phillips drive screw.

Pop Rivets are NOT RECOMMENDED

FINISH

A173SNA – Satin Natural Anodised

A174 Aluminium Interfold Hinge 100mm



SPECIFICATION

- **Hinge Type:** Interfold Hinge
- **Material:** High strength Aluminium Alloy T6 minimum tensile 254 mpa
- **Hinge Pin:** 4.7mm Diameter Stainless Steel 304 grade.
- **Bushes:** Flanged Nylon
- **Knuckle:** Squareline - Heavy Duty
- **Endcaps:** Aluminium Pressed Interference fit
- **Face Fix:** N/A
- **Hinge Positioning Locator:** Yes
- **Maximum Weight Capacity:** 20kg's – 3 Hinges

INSTALLATION GUIDE

- Minimum Door Thickness 35mm
- Suitable for Aluminium & some Timber doors in Aluminium frames
- As a guide doors:
 - 2040 high x 820 up to 20kg – 3 hinges
- Recommended that the minimum of 3 hinges be used with the top hinge located as high as possible.
- Where door closers are or to be installed and or higher traffic doors a fourth hinge may be required
- This hinge is designed with a 1.0mm offset.
- Allow for a 4.5mm gap between door and frame due to the offset. This may help with distorted door when closed. The A115 should be considered if an offset hinge is not required.

FIXING

- Fastening screws supplied
- Aluminium fixings - 10G x 13mm Stainless Steel undercut countersunk self-tapping Phillips drive screw.

Pop Rivets are NOT RECOMMENDED

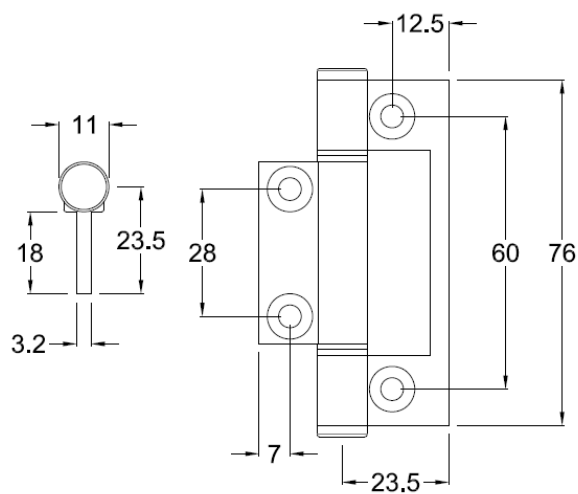
FINISH

A174SNA – Satin Natural Anodised

A174BLK – Black Powder Coat

A174WHT – White Powder Coat

A176 Aluminium Interfold Hinge 76mm



SPECIFICATION

- **Hinge Type:** Interfold Hinge
- **Material:** High strength Aluminium Alloy T6 minimum tensile 254 mpa
- **Hinge Pin:** 4mm Diameter Stainless Steel 304 grade.
- **Bushes:** Flanged Nylon
- **Knuckle:** Round
- **Endcaps:** Aluminium Pressed Interference fit
- **Face Fix:** N/A
- **Hinge Positioning Locator:** Yes

INSTALLATION GUIDE

- Minimum Door Thickness 20mm
- Suitable for Cabinet doors, Screens and Windows

FIXING

- Fastening screws **NOT** supplied

Pop Rivets are NOT RECOMMENDED

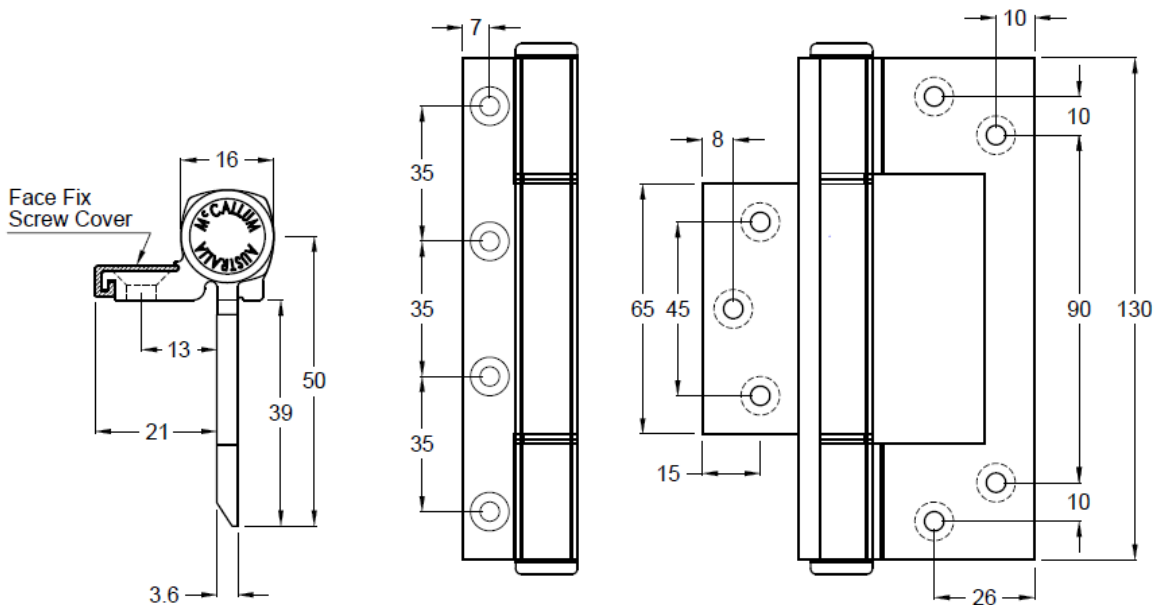
FINISH

A176SNA – Satin Natural Anodised

A176BLK – Black Powder Coat

A176WHT – White Powder Coat

A13040 Aluminium Frame-Fold Interfold Hinge 130mm



SPECIFICATION

- **Hinge Type:** Interfold Hinge
- **Material:** High strength Aluminium Alloy T6 minimum tensile 254 mpa
- **Hinge Pin:** 6mm Diameter Stainless Steel 304 grade.
- **Bushes:** Flanged Nylon
- **Knuckle:** Squareline - Heavy Duty
- **Endcaps:** Aluminium Pressed Interference fit
- **Face Fix:** Concealed Wrap-around face fixing to door frame.
- **Hinge Positioning Locator:** Yes
- **Maximum Weight Capacity:** 100kg's

INSTALLATION GUIDE

- Minimum Door Thickness 40mm
- Suitable for Aluminium & some Timber doors in Aluminium frames
- As a guide doors:
 - 2100 high x 1050 up to 100kg – 3 hinges
 - 2400 high x 1050 up to 100kg – 4 hinges
- Recommended that the minimum of 3 hinges be used with the top hinge located as high as possible.
- Where door closers are or to be installed and or higher traffic doors a fourth hinge may be required

FIXING

- Fastening screws supplied
- Aluminium fixings - 10G x 13mm, Stainless Steel undercut countersunk self-tapping Phillips drive screw.
- Timber fixings – 10G x 32mm Stainless Steel type AB self-tapping Phillips drive screw
- Concealed face fixing to door frame.

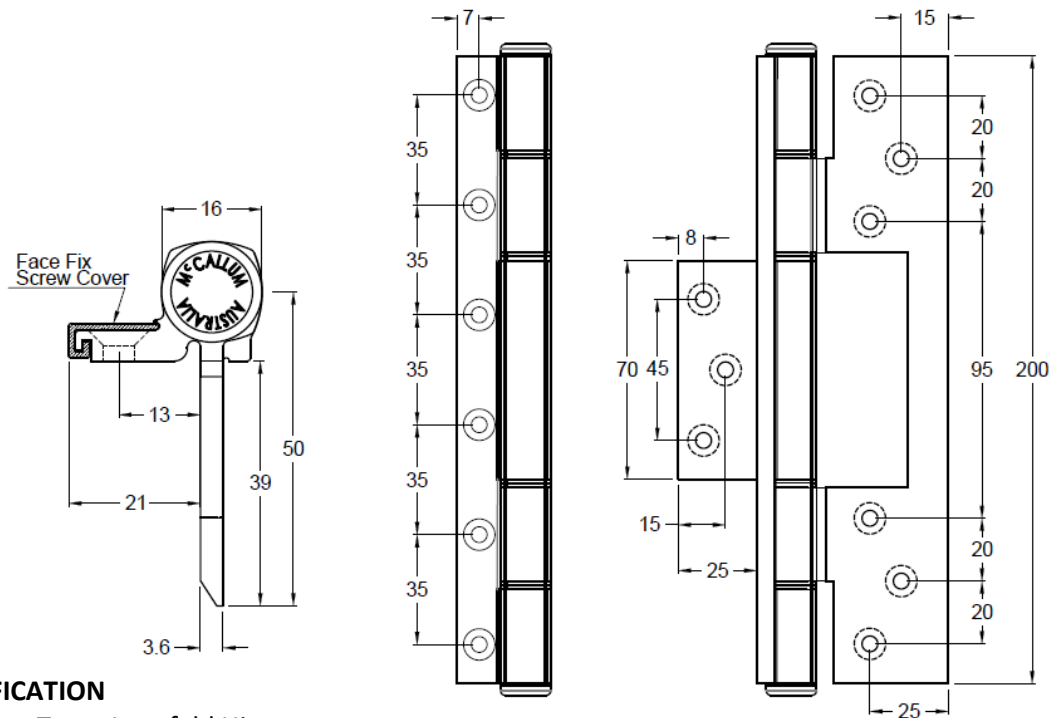
Pop Rivets are NOT RECOMMENDED

FINISH

A13040SNA – Satin Natural Anodised
A13040BLK – Black Powder Coat
A13040WHT – White Powder Coat

A13040MBLK – Matt Black Powder Coat
A13040SPC – Special Powder Coat

A20040 Aluminium Frame-Fold Interfold Hinge 200mm



SPECIFICATION

- **Hinge Type:** Interfold Hinge
- **Material:** High strength Aluminium Alloy T6 minimum tensile 254 mpa
- **Hinge Pin:** 6mm Diameter Stainless Steel 304 grade.
- **Bushes:** Flanged Nylon
- **Knuckle:** Squareline - Heavy Duty
- **Endcaps:** Aluminium Pressed Interference fit
- **Face Fix:** Concealed Wrap-around face fixing to door frame.
- **Hinge Positioning Locator:** Yes
- **Maximum Weight Capacity:** 130kg's

INSTALLATION GUIDE

- Minimum Door Thickness 40mm
- Suitable for Aluminium & some Timber doors in Aluminium frames
- As a guide doors:
 - 2400 high x 1050 up to 130kg – 3 hinges
 - 2700 high x 1050 up to 130kg – 4 hinges
- Recommended that the minimum of 3 hinges be used with the top hinge located as high as possible.
- Where door closers are or to be installed and or higher traffic doors a fourth hinge may be required

FIXING

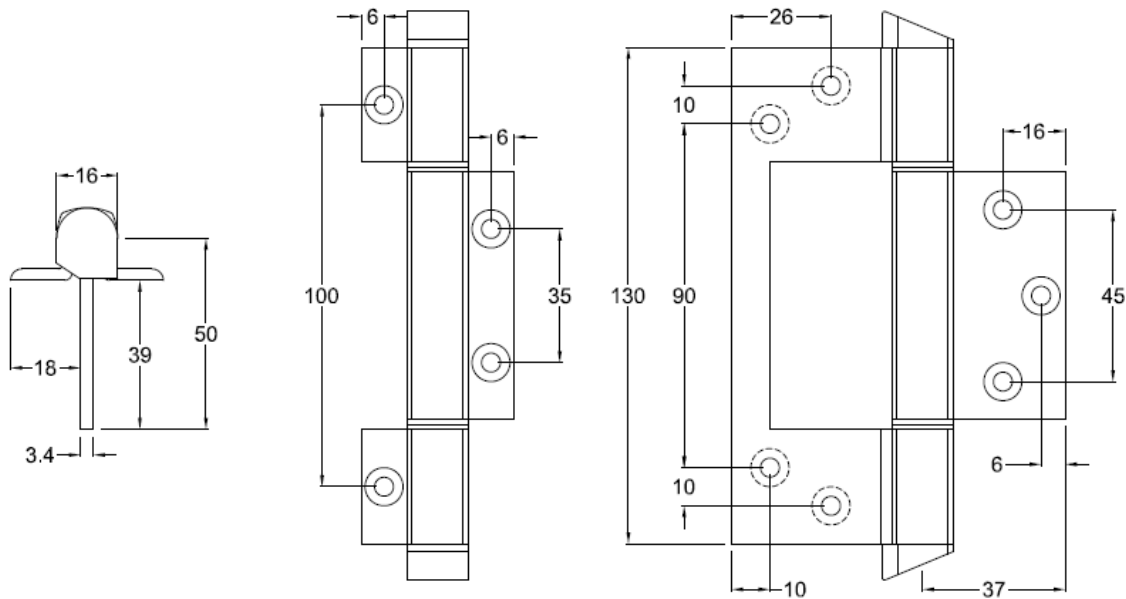
- Fastening screws supplied
- Aluminium fixings - 10G x 13mm, Stainless Steel undercut countersunk self-tapping Phillips drive screw.
- Timber fixings – 10G x 32mm Stainless Steel type AB self-tapping Phillips drive screw
- Concealed face fixing to door frame.

Pop Rivets are NOT RECOMMENDED

FINISH

- A20040SNA – Satin Natural Anodised
- A20040BLK – Black Powder Coat
- A20040WHT – White Powder Coat

AL104 Aluminium Anti-Ligature Interfold Hinge 130mm



SPECIFICATION

- **Hinge Type:** Anti-Ligature Interfold Hinge
- **Material:** High strength Aluminium Alloy T6 minimum tensile 254 mpa
- **Hinge Pin:** 6mm Diameter Stainless Steel 304 grade.
- **Bushes:** Flanged Nylon
- **Knuckle:** Squareline - Heavy Duty
- **Endcaps:** Anti-Ligature - Aluminium Pressed Interference fit
- **Face Fix:** Wrap-around face fixing to door & frame.
- **Hinge Positioning Locator:** Yes
- **Maximum Weight Capacity:** 100kg's – 3 Hinges

INSTALLATION GUIDE

- Minimum Door Thickness 40mm
- Suitable for Aluminium & some Timber doors in Aluminium frames
- Ideally suited for use internal doors in Care facilities, Hospitals, Public buildings, etc
- As a guide doors:
 - 2040 high x 820 up to 100kg – 3 hinges
- Recommended that the minimum of 3 hinges be used with the top hinge located as high as possible.
- Where door closers are or to be installed and or higher traffic doors a fourth hinge may be required

FIXING

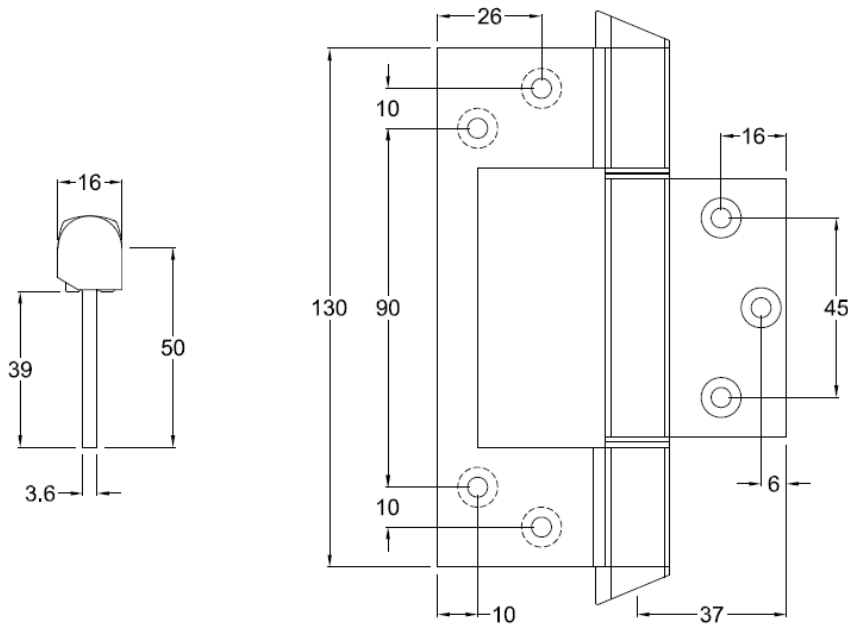
- Fastening screws supplied
- Aluminium fixings - 10G x 13mm, Stainless Steel undercut countersunk self-tapping Phillips drive screw.
- Face fixing to the door and frame.

Pop Rivets are NOT RECOMMENDED

FINISH

AL104SNA – Satin Natural Anodised
AL104BLK – Black Powder Coat
AL104WHT – White Powder Coat

AL105 Aluminium Anti-Ligature Interfold Hinge 130mm



SPECIFICATION

- **Hinge Type:** Interfold Hinge
- **Material:** High strength Aluminium Alloy T6 minimum tensile 254 mpa
- **Hinge Pin:** 6mm Diameter Stainless Steel 304 grade.
- **Bushes:** Flanged Nylon
- **Knuckle:** Squareline - Heavy Duty
- **Endcaps:** Anti-Ligature - Aluminium Pressed Interference fit
- **Face Fix:** N/A
- **Hinge Positioning Locator:** Yes
- **Maximum Weight Capacity:** 80kg's – 3 Hinges

INSTALLATION GUIDE

- Minimum Door Thickness 40mm
- Suitable for Aluminium & some Timber doors in Aluminium frames
- Ideally suited for use internal doors in Care facilities, Hospitals, Public buildings, etc
- As a guide doors:
 - 2040 high x 820 up to 80kg – 3 hinges
- Recommended that the minimum of 3 hinges be used with the top hinge located as high as possible.
- Where door closers are or to be installed and or higher traffic doors a fourth hinge may be required

FIXING

- Fastening screws supplied
- Aluminium fixings - 10G x 13mm, Stainless Steel undercut countersunk self-tapping Phillips drive screw.
- Timber fixings – 10G x 32mm Stainless Steel type AB self-tapping Phillips drive screw

Pop Rivets are NOT RECOMMENDED

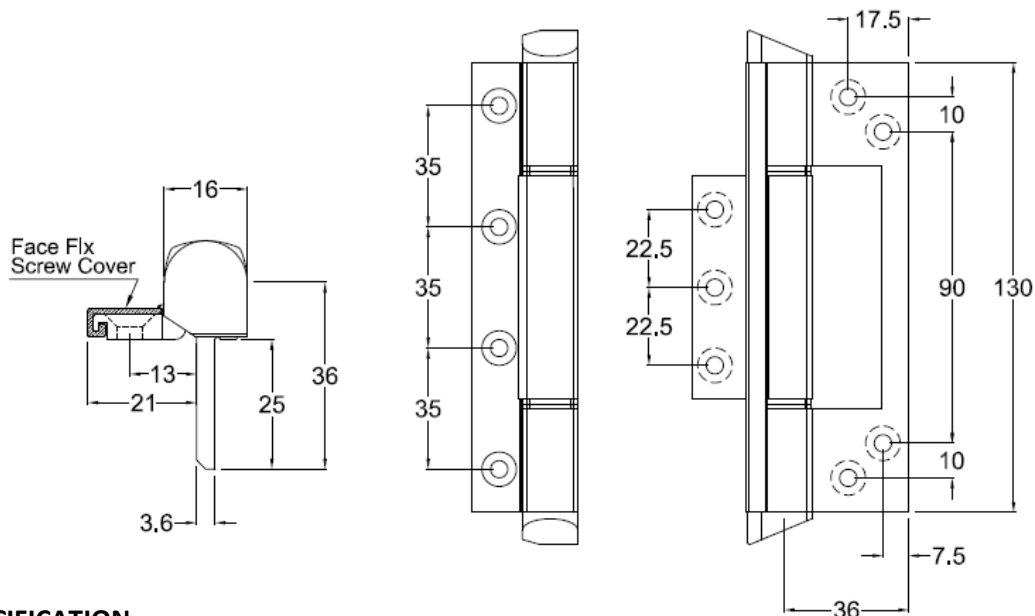
FINISH

AL105SNA – Satin Natural Anodised

AL105BLK – Black Powder Coat

AL105WHT – White Powder Coat

AL13025 Aluminium Anti-Ligature Frame-Fold Interfold Hinge 130mm



SPECIFICATION

- **Hinge Type:** Interfold Hinge
- **Material:** High strength Aluminium Alloy T6 minimum tensile 254 mpa
- **Hinge Pin:** 6mm Diameter Stainless Steel 304 grade.
- **Bushes:** Flanged Nylon
- **Knuckle:** Squareline - Heavy Duty
- **Endcaps:** Aluminium Pressed Interference fit
- **Face Fix:** Concealed Wrap-around face fixing to door frame.
- **Hinge Positioning Locator:** Yes
- **Maximum Weight Capacity:** 45kg's

INSTALLATION GUIDE

- Minimum Sash / Door Thickness 25mm
- Suitable for Aluminium and some timber windows & doors in Aluminium frames
- Suitable for Jockey sash and other window applications
- As a guide doors:
 - 2100 high x 870 up to 45kg's - 3 hinges
 - 2400 high x 870 up to 45kg's - 4 hinges
- Recommended that the minimum of 3 hinges be used with the top hinge located as high as possible.

FIXING

- Fastening screws supplied
- Aluminium fixings - 10G x 13mm, Stainless Steel undercut countersunk self-tapping Phillips drive screw.
- Timber fixings – 10G x 32mm Stainless Steel type AB self-tapping Phillips drive screw
- Concealed face fixing to door frame.

Pop Rivets are NOT RECOMMENDED

FINISH

A13025SNA – Satin Natural Anodised
A13025BLK – Black Powder Coat
A13025WHT – White Powder Coat

