




Quality Products Since 1939

The background of the middle section is a light gray architectural floor plan. It shows various rooms and areas with labels such as "POLY ROOM", "CAR GARAGE", "BALCONY", "STORAGE", "LAUNDRY", and "OFF". There are also numerical values and symbols scattered throughout the drawing, indicating dimensions and levels.

# General Hardware

[www.mccallumhinges.com.au](http://www.mccallumhinges.com.au)

[sales@mccallumhinges.com.au](mailto:sales@mccallumhinges.com.au)

02 9698 5111

---

## About McCallum Australia

McCallum Australia has been manufacturing high quality hardware products for the Australian market since 1939.

Our products are designed and developed in Australia, made from the highest quality materials and processes to exceed the high demands of Australian Standards and the market.

McCallum Australia is the pre-eminent hinge manufacturer for Australia. Our products have been used in hundreds of thousands of projects across Australia – including some of the most prominent such as, The Sydney Opera House, New Parliament House Canberra, and Crown Casino.

McCallum's pioneered the extruded aluminium hinge that features aluminium pressed endcaps, keyed flanged nylon bearings and stainless-steel hinge pins. We have included these innovative design features in our popular heavy duty fast-fix hinge range.

Our range of products are used extensively throughout the Australian market and are sort after by tradespeople, specifiers and technicians for new projects, repairs, refurbishments, and retrofits.

McCallum Australia products are sought for their key attributes:

- Quality
- Reliability
- Technical innovation
- Value

We support this with a focus on strong customer support.

McCallum representatives and stockists would be pleased to discuss and offer advice regarding your hardware requirements.

For additional technical information please contact us

+61 2 9698 5111

[sales@mccallumhinges.com.au](mailto:sales@mccallumhinges.com.au)



---

## Contents

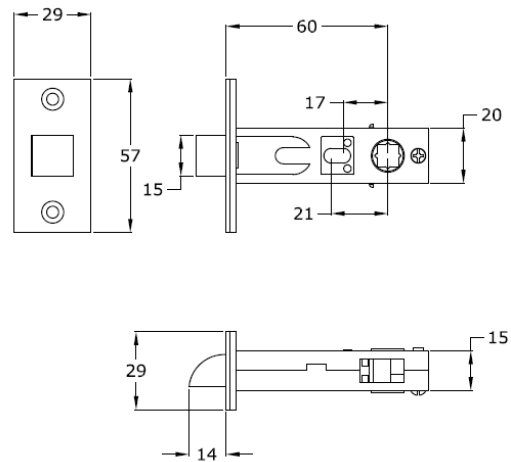
About McCallum Australia .....	1
4.1: Tubular Latches .....	3
4.3: Panic Bolts .....	7
4.4: Reverse Barrel Bolts .....	9
4.5: VIO Flush Bolts .....	10
4.6: Flush Pulls .....	12
4.7: Door Stops and Holders .....	13
Notes: .....	16

## 4.1: Tubular Latches



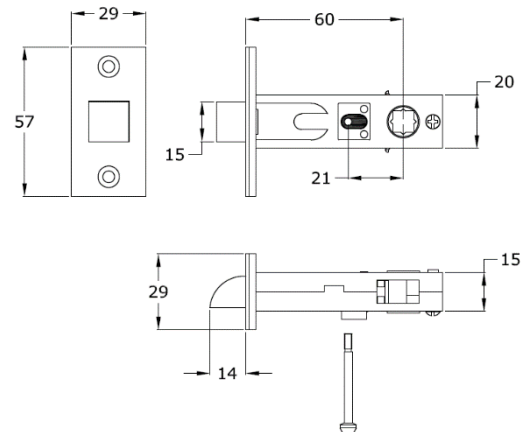
### TL60 Tubular Passage Latch

Backset: 60mm  
 Latchbolt: Stainless Steel  
 Faceplate: Stainless Steel  
 Strike Plate: Standard "D" Strike  
 Universal "T" Strike  
 Nylon Strike box



### TPL60 Tubular Privacy Latch

Backset: 60mm  
 Latchbolt: Stainless Steel  
 Faceplate: Stainless Steel  
 Strike Plate: Standard "D" Strike  
 Universal "T" Strike  
 Nylon Strike box



Product Code	Description	Finish
TL60	Tubular Passage Latch 60mm Backset	SSS, BLK, PSS
TPL60	Tubular Passage Latch 60mm Backset	SSS, BLK, PSS

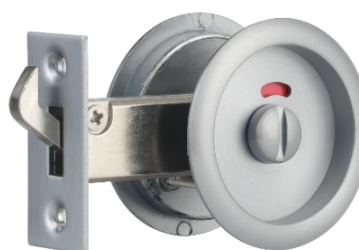
---

## 4.2: 600 series Cavity Sliding Door Locks

The 600 series Cavity sliding door lock range has been manufactured with several functions, Entrance, Passage, Privacy & Indicating Privacy.

Suitable for residential and semi commercial internal cavity sliding doors such as Office/Study, Garage to House/Unit, Bathroom/WC, etc.

Designed to install into a standard cross bore hole 25mm Latch hole and a 54mm through door hole.



### SPECIFICATION

**Escutcheons / Rosette:**

Round 63mm diameter & Square 63 x 63mm  
Zinc Alloy base

**Latch/Bolt:**

Tubular Hook Bolt 60mm Backset – Stainless  
Steel 304 grade Face Plate 70 x 25mm

**Backset:**

Standard 60mm

**Strike Plate:**

304 grade Stainless Steel 85 x 25mm

**Strike Box:**

304 grade Stainless Steel Adjustable Strike

**Door Thickness:**

32 – 40mm

**Handing:**

Reversible (non-handed)

**Warranty:**

10 Year mechanical

**Finishes:**

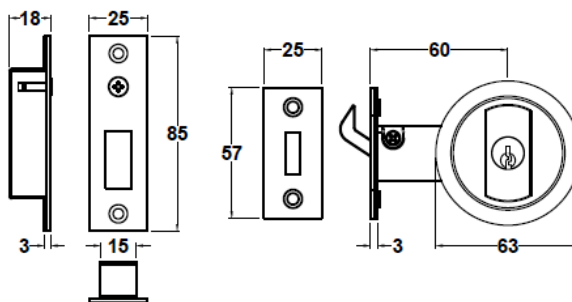
SC: Satin Chrome

BLK: Black

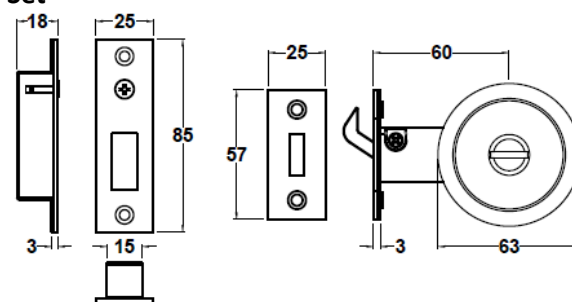
CP: Chrome Plate

## Round Cavity Sliding Locks

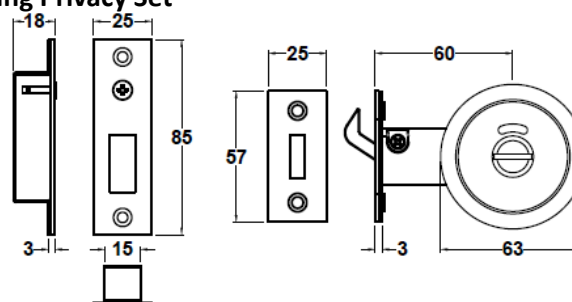
### CLR620 Round Cavity Sliding Door Entrance Set



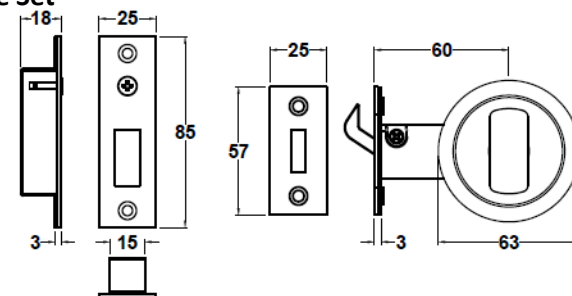
### CLR621 Round Cavity Sliding Door Privacy Set



### CLR622 Round Cavity Sliding Door Indicating Privacy Set



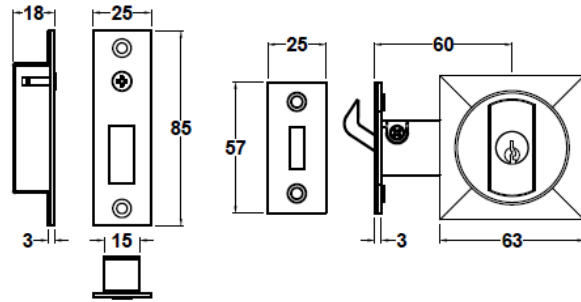
### CLR623 Round Cavity Sliding Door Passage Set



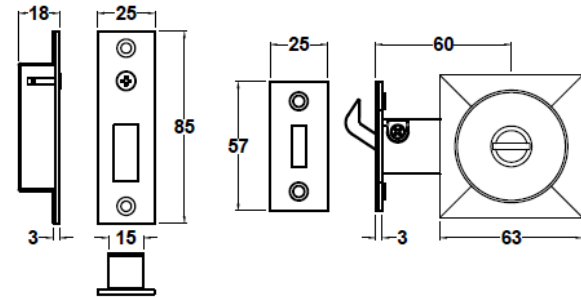
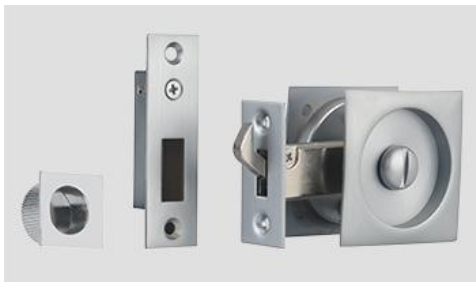
Product Code	Description	Finish
CLR620	Round Cavity Sliding Door Entrance Set	SC, BLK, CP
CLR621	Round Cavity Sliding Door Privacy Set	SC, BLK, CP
CLR622	Round Cavity Sliding Door Indicating Privacy Set	SC, BLK, CP
CLR623	Round Cavity Sliding Door Passage Set	SC, BLK, CP

# Square Cavity Sliding Locks

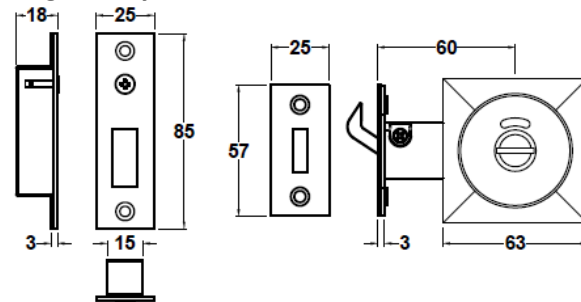
## CLS620 Square Cavity Sliding Door Entrance Set



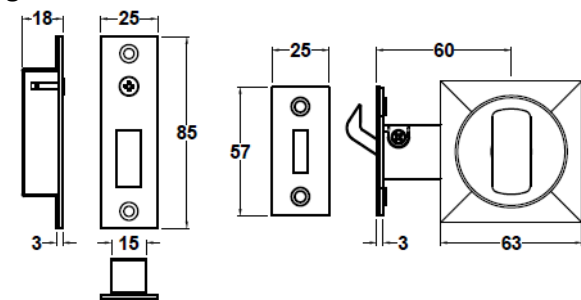
## CLS621 Square Cavity Sliding Door Privacy Set



## CLS622 Square Cavity Sliding Door Indicating Privacy Set



## CLS623 Square Cavity Sliding Door Passage Set



Product Code	Description	Finish
CLS620	Square Cavity Sliding Door Entrance Set	SC, BLK, CP
CLS621	Square Cavity Sliding Door Privacy Set	SC, BLK, CP
CLS622	Square Cavity Sliding Door Indicating Privacy Set	SC, BLK, CP
CLS623	Square Cavity Sliding Door Passage Set	SC, BLK, CP



---

## 4.3: Panic Bolts

The McCallum Panic (skeleton) Bolt range has been designed for use in commercial, residential applications. These bolts are suitable for installation to open-in or open-out timber, aluminium/metal doors and or gates.

Manufactured from high quality stainless steel to meet the strength and durability required for use in the Australian commercial, industrial and fabrication door market.



### SPECIFICATION

**Bolt Material:**

Stainless steel 304 grade

**Strike Plate:**

Stainless steel 304 grade

**Door Type:**

Suits bolt Timber and Aluminium Doors

**Bolt Staple/Guide:**

Stainless steel 304 grade with Nylon Insert

**Bolt Throw:**

Standard bolt throw 45mm

**Door Type:**

Suits bolt Timber and Aluminium Doors

**Styles:**

Visible Fix Straight

Visible Offset

**Fixings:**

Panic bolts supplied standard with timber fixing screws.

**Standard Lengths:**

Visible Fix	Offset
250mm	300mm
300mm	450mm
450mm	600mm
600mm	900mm
900mm	

**Warranty:**

10 Year mechanical

**Finishes:**

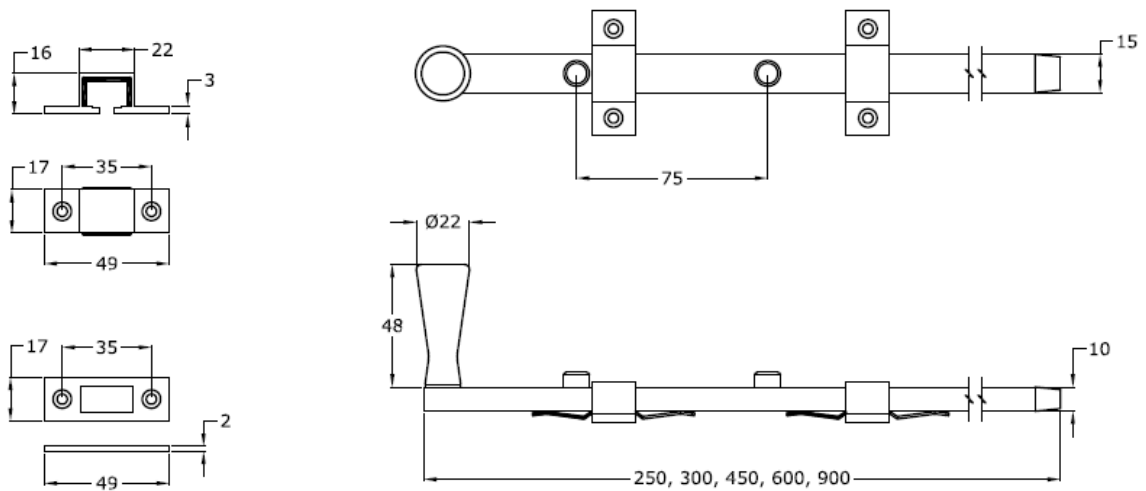
SSS: Satin Stainless Steel

PSS: Polished Stainless Steel

BLK: Black

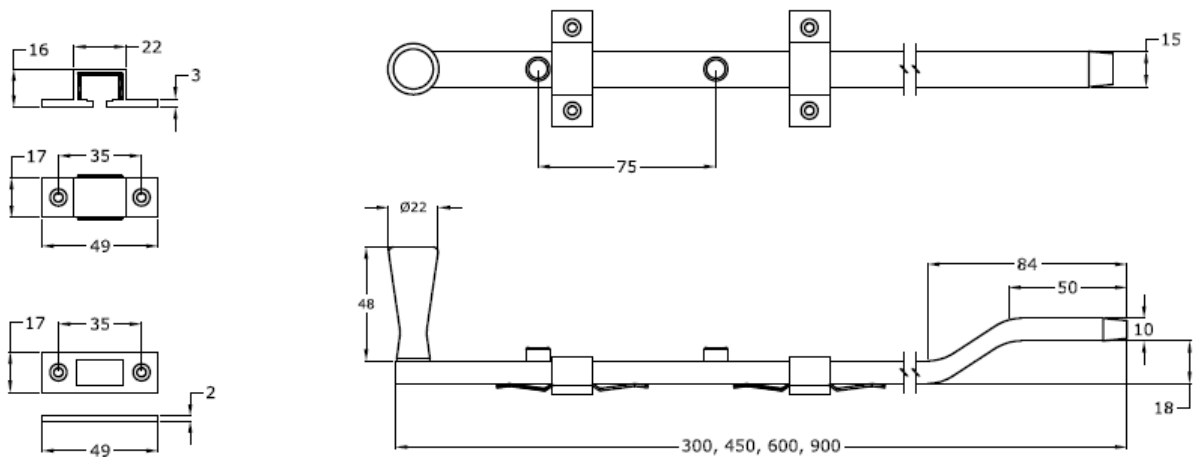


## Visible Fix Panic Bolts



Product Code	Description	Finish
PBV-25	Panic Bolt Visible Fix 250mm	SSS, BLK, PSS
PBV-30	Panic Bolt Visible Fix 300mm	SSS, BLK, PSS
PBV-45	Panic Bolt Visible Fix 450mm	SSS, BLK, PSS
PBV-60	Panic Bolt Visible Fix 600mm	SSS, BLK, PSS
PBV-90	Panic Bolt Visible Fix 900mm	SSS, BLK, PSS

## Offset Panic Bolts



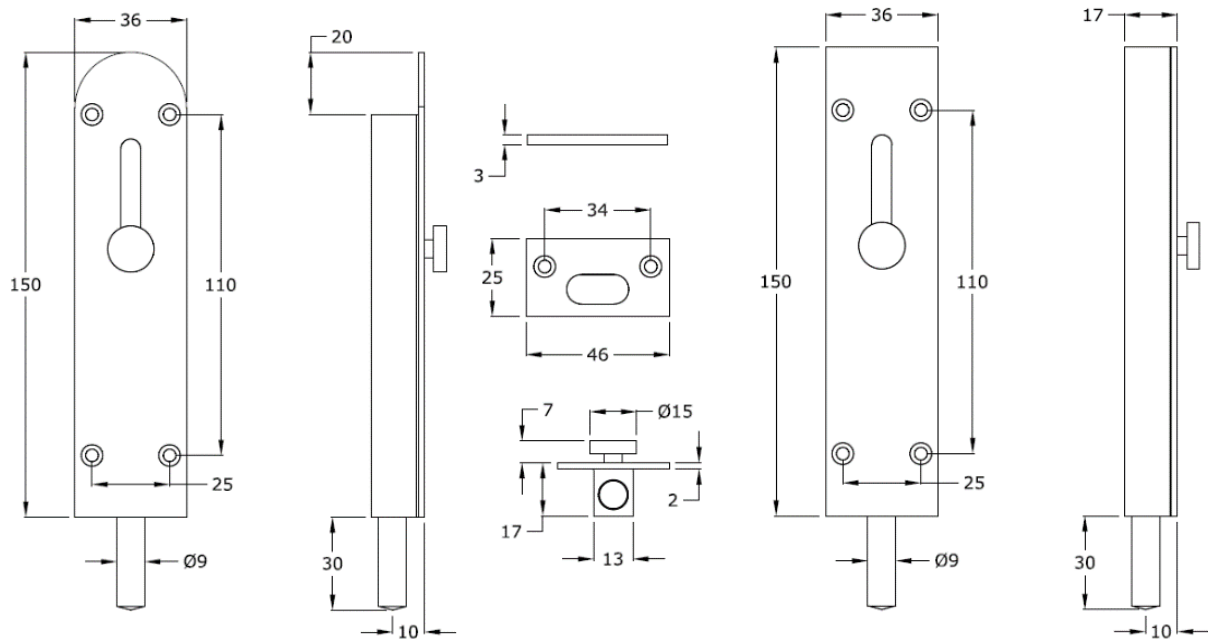
Product Code	Description	Finish
PBO-30	Panic Bolt Offset 300mm	SSS, BLK, PSS
PBO-45	Panic Bolt Offset 450mm	SSS, BLK, PSS
PBO-60	Panic Bolt Offset 600mm	SSS, BLK, PSS
PBO-90	Panic Bolt Offset 900mm	SSS, BLK, PSS

## 4.4: Reverse Barrel Bolts

The McCallum Reverse Barrel Bolts have been designed for use in the residential door applications. These bolts are suitable for installation to timber doors.

Manufactured from extruded Brass with stainless steel bolt for strength and durability.

Supplied with timber fixing screws.



Product Code	Description	Finish
RBB01-01	Reverse Barrel Bolt Radius 150mm	SC, BLK, CP
RBB02-01	Reverse Barrel Bolt Square 150mm	SC, BLK, CP

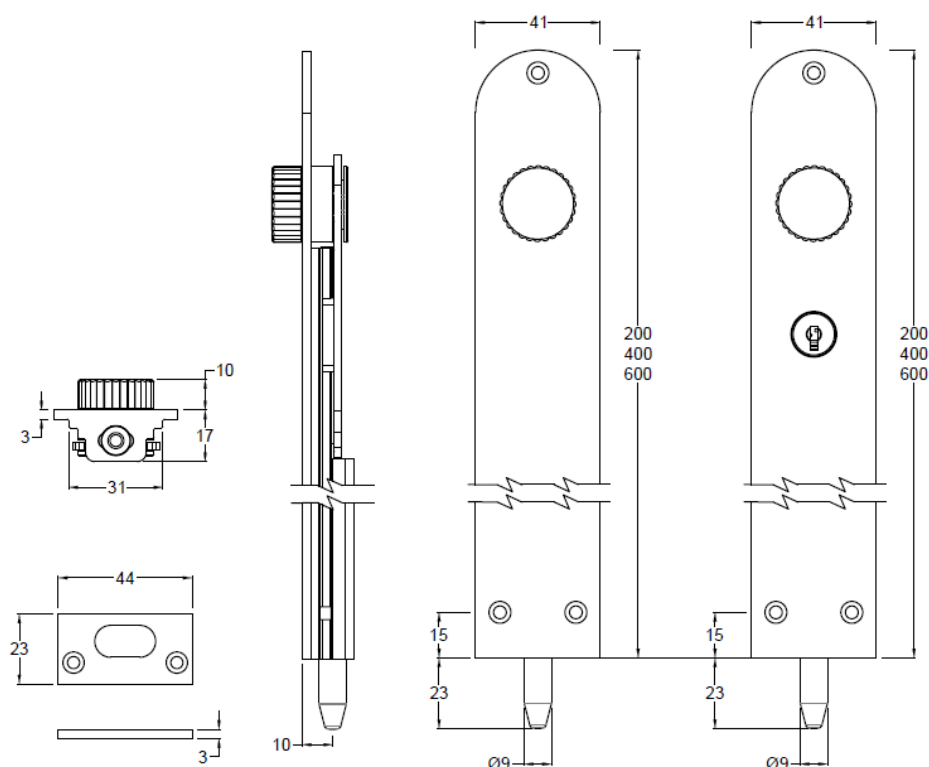
## 4.5: VIO Flush Bolts

VIO Flush Bolts are a specialized hardware option for enhancing the functionality and security of residential timber doors, particularly bi-fold doors.

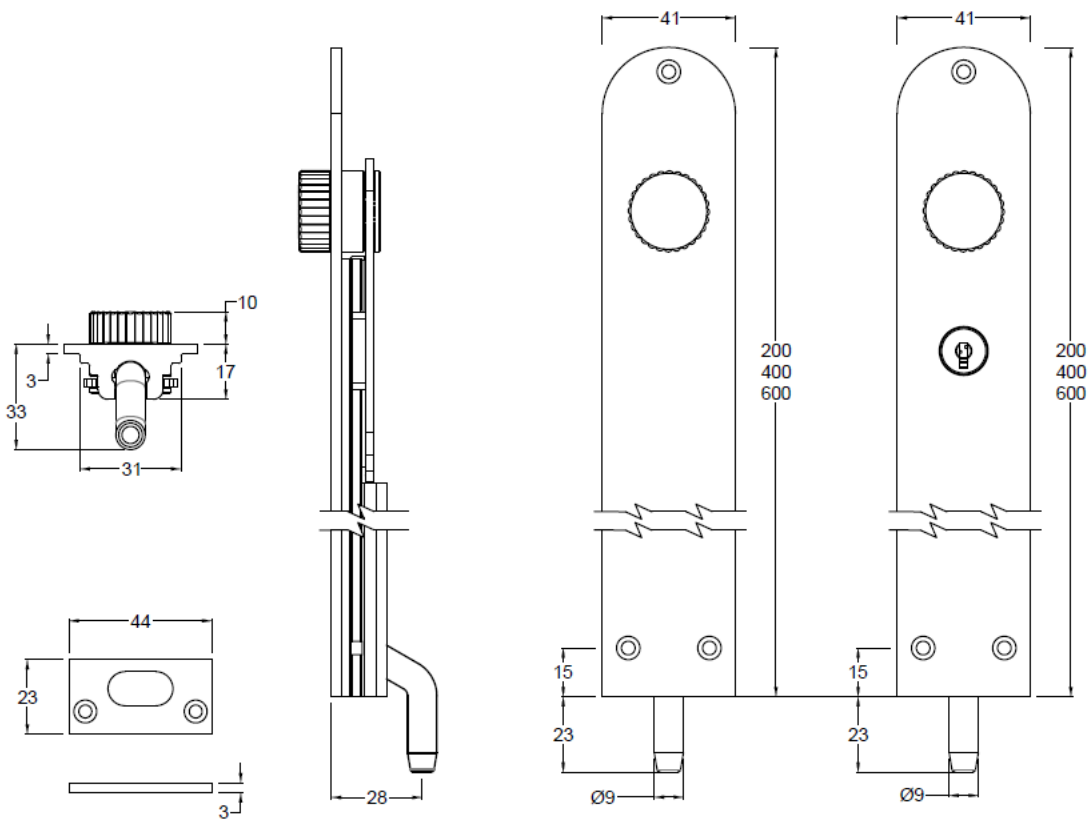
Manufactured from extruded aluminium with stainless steel bolt for strength and durability.

Available as non-locking and key lockable for added security, also suitable for open-in or with offset bolts for open-out doors.

Supplied with timber fixing screws.



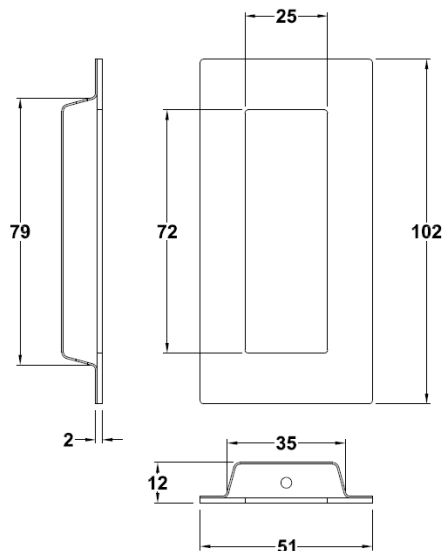
Product Code	Description	Finish
VFB-01	Flush Bolt Non-Lockable 200mm	SS, BLK, PS
VFB-02	Flush Bolt Non-Lockable 400mm	SS, BLK, PS
VFB-03	Flush Bolt Non-Lockable 600mm	SS, BLK, PS
VFBL-01	Flush Bolt Lockable 200mm	SS, BLK, PS
VFBL-02	Flush Bolt Lockable 400mm	SS, BLK, PS
VFBL-03	Flush Bolt Lockable 600mm	SS, BLK, PS



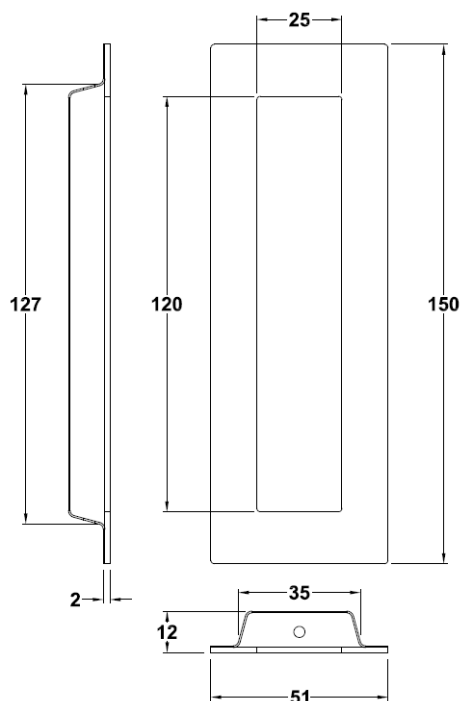
Product Code	Description	Finish
VFBO-01	Flush Bolt Offset Non-Lockable 200mm	SS, BLK, PS
VFBO-02	Flush Bolt Offset Non-Lockable 400mm	SS, BLK, PS
VFBO-03	Flush Bolt Offset Non-Lockable 600mm	SS, BLK, PS
VFBOL-01	Flush Bolt Offset Lockable 200mm	SS, BLK, PS
VFBOL-02	Flush Bolt Offset Lockable 400mm	SS, BLK, PS
VFBOL-03	Flush Bolt Offset Lockable 600mm	SS, BLK, PS

## 4.6: Flush Pulls

The McCallum range of flush pulls are suitable for sliding doors and offers a range of sizes. The flush pulls are manufactured from high quality stainless steel and are supplied with fixing screws.



Product Code	Description	Finish
FP102	Rectangular Flush Pull 102 x 51mm	SSS, BLK, PSS



Product Code	Description	Finish
FP103	Rectangular Flush Pull 150 x 51mm	SSS, BLK, PSS

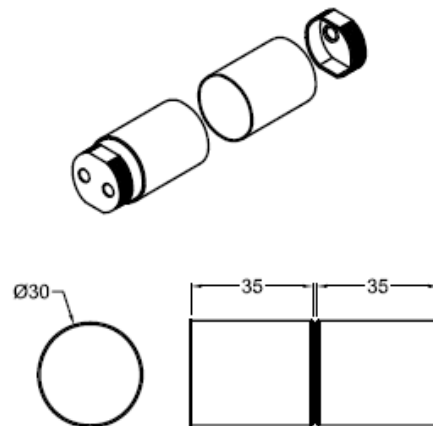
## 4.7: Door Stops and Holders

The McCallum range of door stops and holders are available in floor or wall mounted to suit most application.

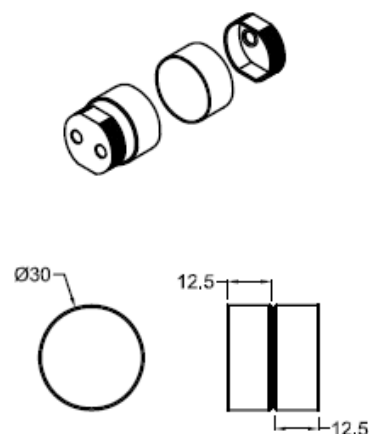
The door stops are manufactured from premium quality materials and are supplied with fixing screws.



### Magnetic Door Holders

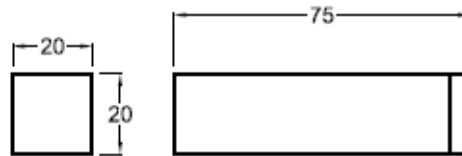
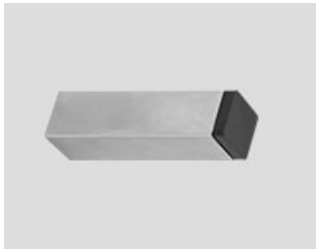


Product Code	Description	Finish
DS100	Magnetic Door Holder 70 x 30mm	SSS, BLK, PSS

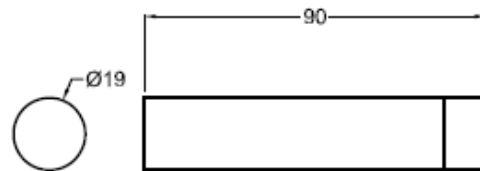


Product Code	Description	Finish
DS101	Magnetic Door Holder 25 x 30mm	SSS, BLK, PSS

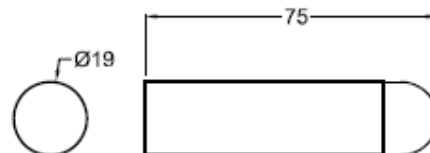
## Wall Mounted Door Stops



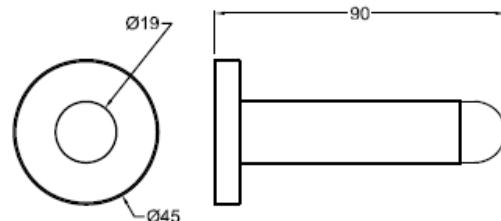
Product Code	Description	Finish
DS102	Square Wall Mounted Door Stop 75 x 20mm	SSS, BLK, PSS



Product Code	Description	Finish
DS103	Wall Mounted Door Stop Round 90 x 19mm	SSS, BLK, PSS



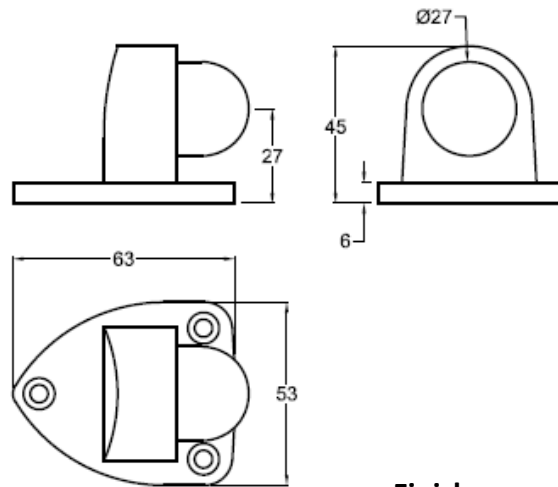
Product Code	Description	Finish
DS104	Wall Mounted Door Stop Round 75 x 19mm	SSS, BLK, PSS



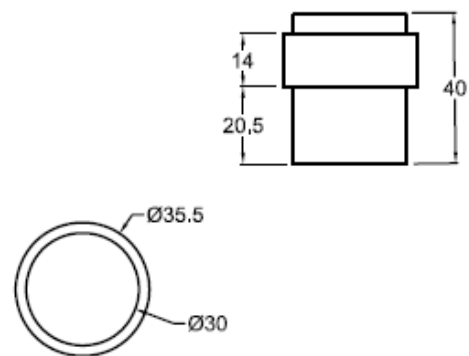
Product Code	Description	Finish
DS106	Wall Mounted Door Stop Round 90 x 19mm	SSS, BLK, PSS



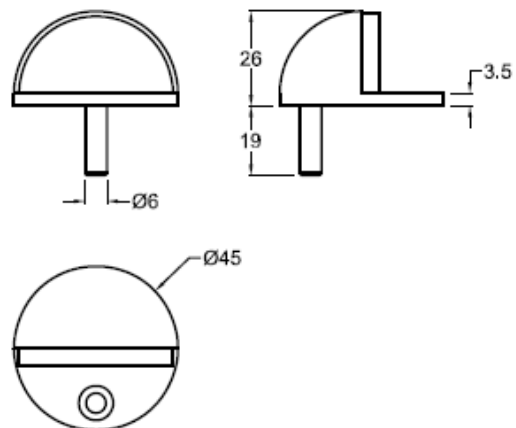
## Floor Mounted Door Stops



Product Code	Description	Finish
DS107	Floor Mounted Door Stop	SS, BLK, PS



Product Code	Description	Finish
DS108	Floor Mounted Door Stop Round 30Ø x 40mm	SS, BLK, PS



Product Code	Description	Finish
DS109	Floor Mounted Door Stop Half Moon	SS, BLK, PS

