



Quality Products Since 1939

The background of the central section is a light gray architectural floor plan. It shows various rooms and areas with labels such as "FAMILY ROOM F1 +0.70", "4 CAR GARAGE F3 +0.10", "BALCONY F1 +0.50", "STORAGE F2 +0.70", "LAUNDRY", "AD15", "AW8", "AW2A", "M9", "M7", "M1", "M2", "M3", "M4", "M5", "M6", "M8", "M10", "M11", "M12", "M13", "M14", "M15", "M16", "M17", "M18", "M19", "M20", "M21", "M22", "M23", "M24", "M25", "M26", "M27", "M28", "M29", "M30", "M31", "M32", "M33", "M34", "M35", "M36", "M37", "M38", "M39", "M40", "M41", "M42", "M43", "M44", "M45", "M46", "M47", "M48", "M49", "M50", "M51", "M52", "M53", "M54", "M55", "M56", "M57", "M58", "M59", "M60", "M61", "M62", "M63", "M64", "M65", "M66", "M67", "M68", "M69", "M70", "M71", "M72", "M73", "M74", "M75", "M76", "M77", "M78", "M79", "M80", "M81", "M82", "M83", "M84", "M85", "M86", "M87", "M88", "M89", "M90", "M91", "M92", "M93", "M94", "M95", "M96", "M97", "M98", "M99", "M100". There are also various dimensions and annotations scattered throughout the plan.

Spring Hinges & Pivots

www.mccallumhinges.com.au

sales@mccallumhinges.com.au

02 9698 5111

About McCallum Australia

McCallum Australia has been manufacturing high quality hardware products for the Australian market since 1939.

Our products are designed and developed in Australia, made from the highest quality materials and processes to exceed the high demands of Australian Standards and the market.

McCallum Australia is the pre-eminent hinge manufacturer for Australia. Our products have been used in hundreds of thousands of projects across Australia – including some of the most prominent such as, The Sydney Opera House, New Parliament House Canberra, and Crown Casino.

McCallum's pioneered the extruded aluminium hinge that features aluminium pressed endcaps, keyed flanged nylon bearings and stainless-steel hinge pins. We have included these innovative design features in our popular heavy duty fast-fix hinge range.

Our range of products are used extensively throughout the Australian market and are sort after by tradespeople, specifiers and technicians for new projects, repairs, refurbishments, and retrofits.

McCallum Australia products are sought for their key attributes:

- Quality
- Reliability
- Technical innovation
- Value

We support this with a focus on strong customer support.

McCallum representatives and stockists would be pleased to discuss and offer advice regarding your hardware requirements.

For additional technical information please contact us

+61 2 9698 5111

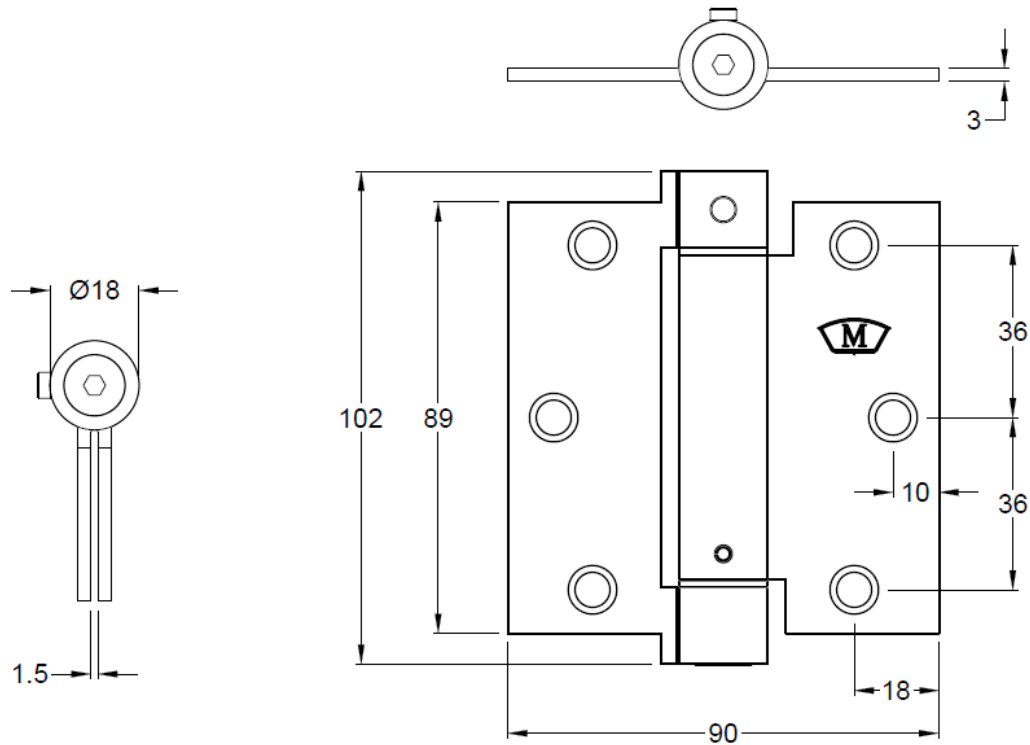
sales@mccallumhinges.com.au



Contents

About McCallum Australia	1
A177 Aluminium Adjustable Spring Hinge 89x90x3.0mm	3
A178 Aluminium Adjustable Spring Hinge 100x100x3.0mm	4
SPG772 Stainless Steel Adjustable Spring Hinge 77x71x2.0mm	5
SPG773 Stainless Steel Adjustable Spring Hinge 77x71x2.0mm	6
SPG790 Stainless Steel Adjustable Spring Hinge 77x2.0mm	7
P435 Angle Shoe Centre Line Pivot.....	8
P436 Flat Strap Centre Line Pivot	9
Notes:	10

A177 Aluminium Adjustable Spring Hinge 89x90x3.0mm



SPECIFICATION

- **Hinge Type:** Spring Hinge
- **Material:** High strength Aluminium Alloy T6 minimum tensile 254 mpa
- **Bushes:** PA6 Nylon Washers
- **Knuckle:** Round
- **Adjustable Closing Speed.**
- **Maximum Weight Capacity:** 50kg's – 3 Hinges

INSTALLATION GUIDE

- Minimum Door Thickness 35mm
- Suitable for Timber doors in timber or metal jambs.
- As a guide doors:
 - 2040 high x 820 up to 20kg – 2 hinges
 - 2100 high x 950 up to 50kg – 3 hinges

FIXING

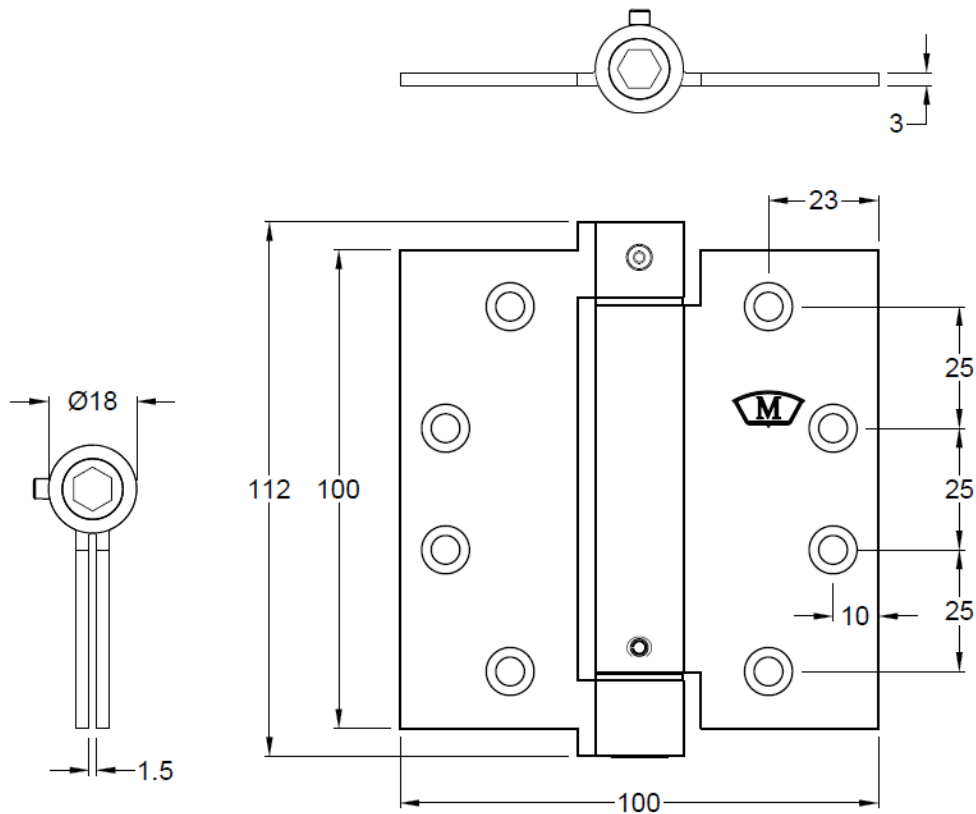
- 32mm x 10g fasteners to suit timber doors supplied.
- 12mm x M5 fasteners to suit metal jambs supplied.

Pop Rivets are NOT RECOMMENDED

FINISH

A177SNA – Satin Natural Anodised
A177BLK – Black
A177WHT – White

A178 Aluminium Adjustable Spring Hinge 100x100x3.0mm



SPECIFICATION

- **Hinge Type:** Spring Hinge
- **Material:** High strength Aluminium Alloy T6 minimum tensile 254 mpa
- **Bushes:** PA6 Nylon Washers
- **Knuckle:** Round
- **Adjustable Closing Speed.**
- **Maximum Weight Capacity:** 50kg's – 3 Hinges

INSTALLATION GUIDE

- Minimum Door Thickness 35mm
- Suitable for Timber doors in timber or metal jambs.
- As a guide doors:
 - 2040 high x 820 up to 20kg – 2 hinges
 - 2100 high x 950 up to 50kg – 3 hinges

FIXING

- 32mm x 10g fasteners to suit timber doors supplied.
- 12mm x M5 fasteners to suit metal jambs supplied.

Pop Rivets are NOT RECOMMENDED

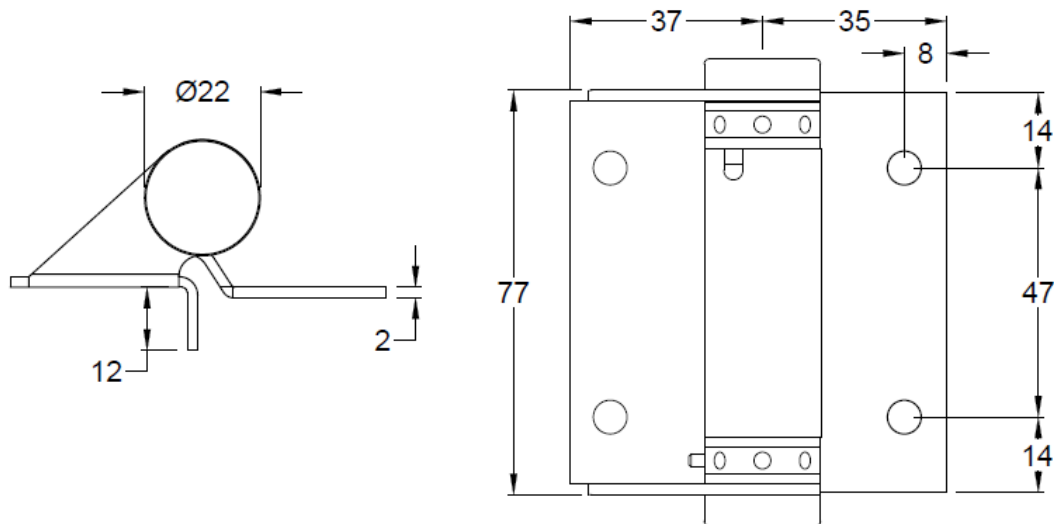
FINISH

A178SNA – Satin Natural Anodised

A178BLK – Black

A178WHT – White

SPG772 Stainless Steel Adjustable Spring Hinge 77x71x2.0mm



SPECIFICATION

- **Hinge Type:** Spring Hinge
- **Material:** 316 Grade Stainless Steel
- **Bushes:** PA6 Nylon Washers
- **Knuckle:** Round – 22mm diameter – Brass ferrule and Stainless-Steel Cap
- **Adjustable Closing Speed.**
- **Maximum Weight Capacity:** 30kg

INSTALLATION GUIDE

- Suitable for Glass Panel gates and doors
- Non-Handed suitable for both left and right opening
- As a guide doors:
 - Max width: 1067mm
 - Max weight: 30kg per pair of hinges

FIXING

- Fastening Screws and Plates supplied.

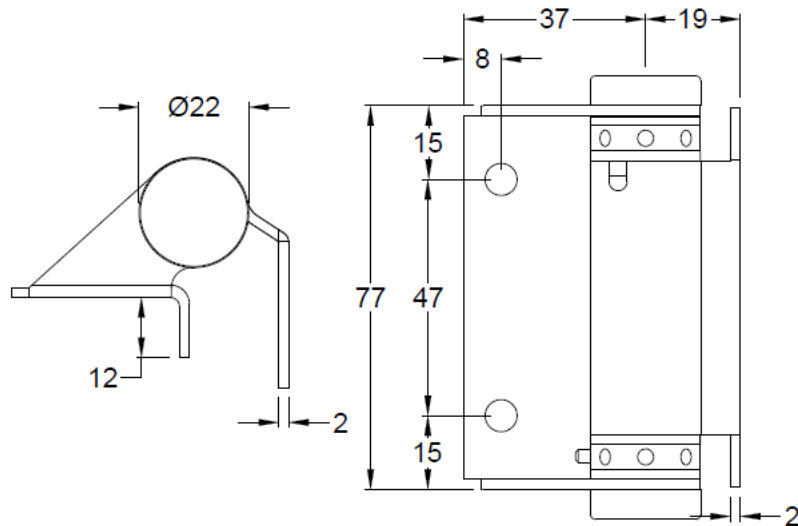
FINISH

SPG772SSS – Satin Stainless Steel

SPG772PSS – Polished Stainless Steel

SPG772SPC – Powder Coat finishes available

SPG773 Stainless Steel Adjustable Spring Hinge 77x71x2.0mm



SPECIFICATION

- **Hinge Type:** Spring Hinge
- **Material:** 316 Grade Stainless Steel
- **Bushes:** PA6 Nylon Washers
- **Knuckle:** Round – 22mm diameter – Brass ferrule and Stainless-Steel Cap
- **Adjustable Closing Speed.**
- **Maximum Weight Capacity:** 30kg

INSTALLATION GUIDE

- Suitable for Glass Panel gates and doors
- Non-Handed suitable for both left and right opening
- As a guide doors:
 - Max width: 1067mm
 - Max weight: 30kg per pair of hinges

FIXING

- Fastening Screws and Plates supplied.

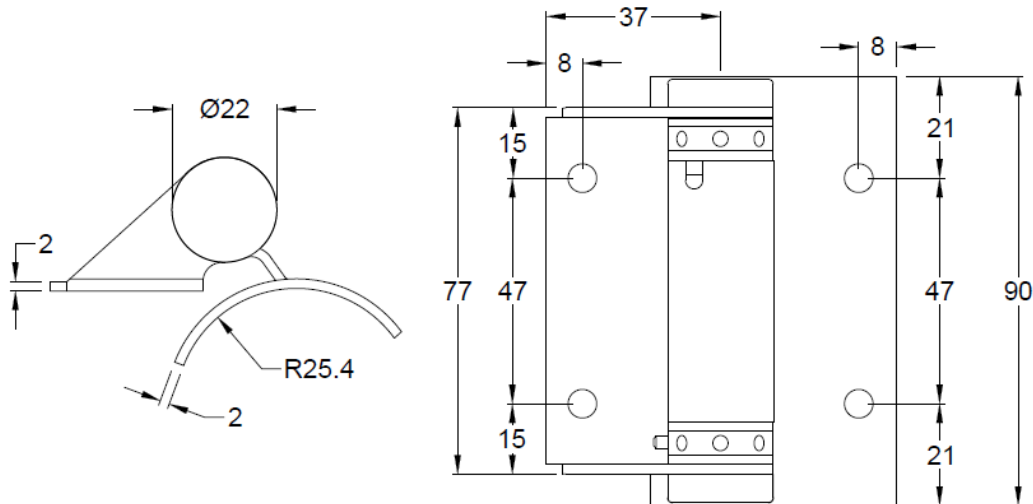
FINISH

SPG773SSS – Satin Stainless Steel

SPG773PSS – Polished Stainless Steel

SPG773SPC – Powder Coat finishes available

SPG790 Stainless Steel Adjustable Spring Hinge 77x2.0mm



SPECIFICATION

- **Hinge Type:** Spring Hinge
- **Material:** 316 Grade Stainless Steel
- **Bushes:** PA6 Nylon Washers
- **Knuckle:** Round – 22mm diameter – Brass ferrule and Stainless-Steel Cap
- **Adjustable Closing Speed.**
- **Maximum Weight Capacity:** 30kg

INSTALLATION GUIDE

- Suitable for Glass Panel gates and doors
- Suitable for 50mm diameter round post fixing
- Non-Handed suitable for both left and right opening
- As a guide doors:
 - Max width: 1067mm
 - Max weight: 30kg per pair of hinges

FIXING

- Fastening Screws and Plates supplied.

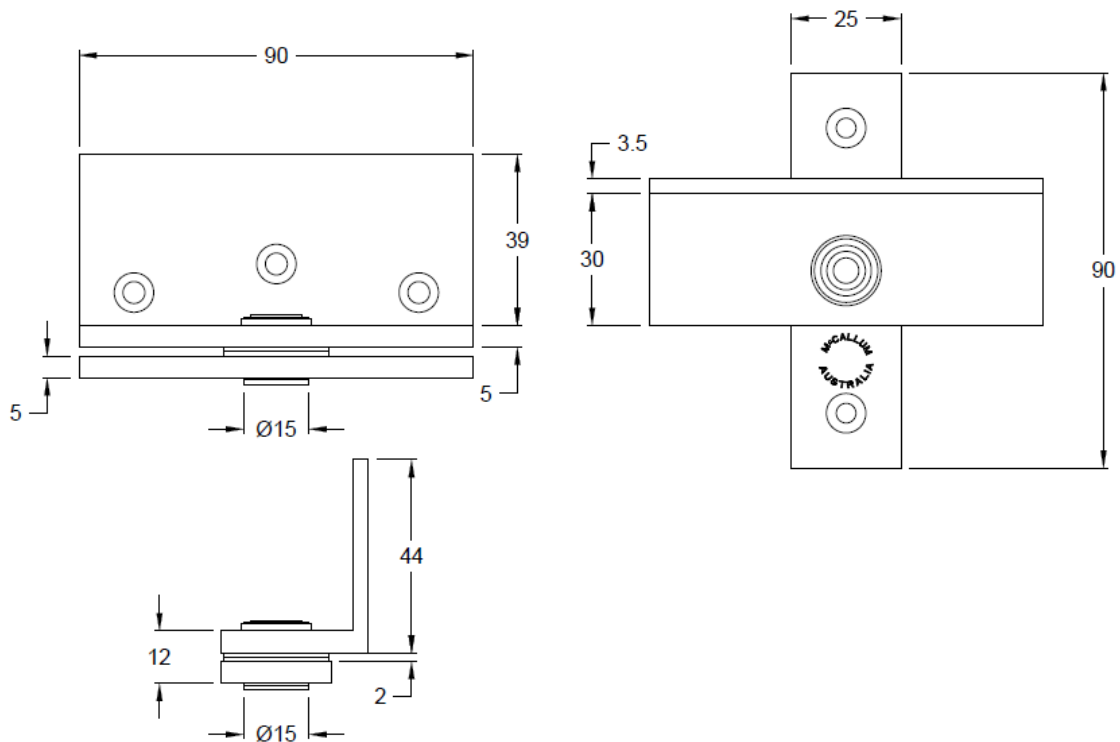
FINISH

SPG790SSS – Satin Stainless Steel

SPG790PSS – Polished Stainless Steel

SPG790SPC – Powder Coat finishes available

P435 Angle Shoe Centre Line Pivot



SPECIFICATION

- **Pivot Type:** Centre Line
- **Pivot:** High strength Aluminium Alloy T6 minimum tensile 254 mpa
- **Rivet:** Steel Zinc Plated
- **Bushes:** Nylon 6 Bearing Bush
- **Geometry:** Centre line non-handed Pivots
- **Maximum Weight Capacity:** 50kg

INSTALLATION GUIDE

- Door Thickness 35 - 45mm
- Suitable for Timber doors
- Suits both open-in and open-out doors
- As a guide:
 - Suits standard doors up to 2400 high x 920 wide up to 50kg

FIXING

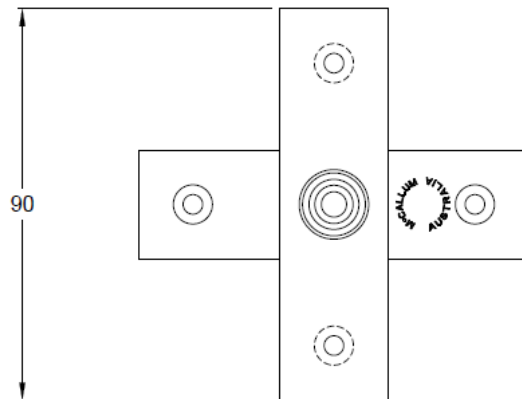
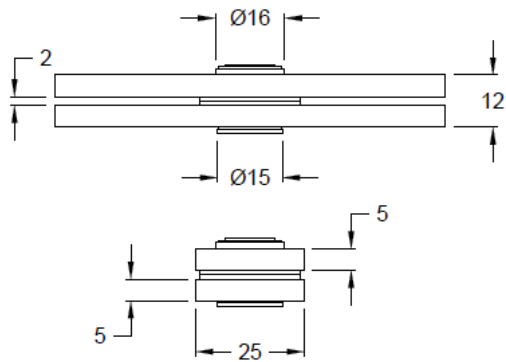
- Fastening screws supplied.

FINISH

P435SIL – Silver Powder Coat

P435BLK – Black Powder Coat

P436 Flat Strap Centre Line Pivot



SPECIFICATION

- **Pivot Type:** Centre Line
- **Pivot:** High strength Aluminium Alloy T6 minimum tensile 254 mpa
- **Rivet:** Steel Zinc Plated
- **Bushes:** Nylon 6 Bearing Bush
- **Geometry:** Centre line non-handed Pivots
- **Maximum Weight Capacity:** 50kg

INSTALLATION GUIDE

- Door Thickness 35 - 45mm
- Suitable for Timber doors
- Suits both open-in and open-out doors
- As a guide:
 - Suits standard doors up to 2400 high x 920 wide up to 50kg

FIXING

- Fastening screws supplied.

FINISH

P436SIL – Silver Powder Coat
P436BLK – Black Powder Coat

