



Quality Products Since 1939

The background of the central section is a light gray architectural floor plan. It shows various rooms and areas with labels such as "4 CAR GARAGE F3 +0.10", "AMIN ROOM F1 +0.70", "BALCONY F1 +0.50", "LIVING ROOM +0.70", and "STORAGE F0 +0.30". There are also various dimensions and annotations like "AWB", "AW2A", "AW15", and "WD1".

Stainless Steel Hinges

www.mccallumhinges.com.au

sales@mccallumhinges.com.au

02 9698 5111

About McCallum Australia

McCallum Australia has been manufacturing high quality hardware products for the Australian market since 1939.

Our products are designed and developed in Australia, made from the highest quality materials and processes to exceed the high demands of Australian Standards and the market.

McCallum Australia is the pre-eminent hinge manufacturer for Australia. Our products have been used in hundreds of thousands of projects across Australia – including some of the most prominent such as, The Sydney Opera House, New Parliament House Canberra, and Crown Casino.

McCallum's pioneered the extruded aluminium hinge that features aluminium pressed endcaps, keyed flanged nylon bearings and stainless-steel hinge pins. We have included these innovative design features in our popular heavy duty fast-fix hinge range.

Our range of products are used extensively throughout the Australian market and are sort after by tradespeople, specifiers and technicians for new projects, repairs, refurbishments, and retrofits.

McCallum Australia products are sought for their key attributes:

- Quality
- Reliability
- Technical innovation
- Value

We support this with a focus on strong customer support.

McCallum representatives and stockists would be pleased to discuss and offer advice regarding your hardware requirements.

For additional technical information please contact us

+61 2 9698 5111

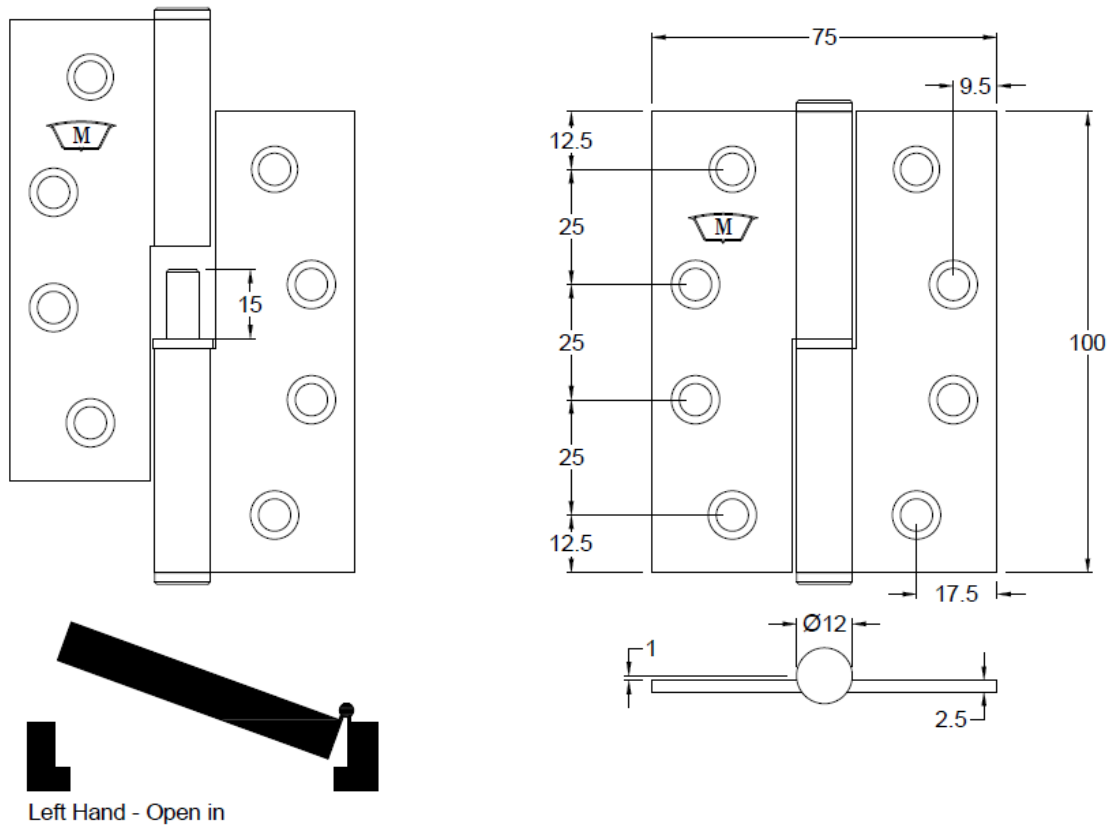
sales@mccallumhinges.com.au



Contents

About McCallum Australia	1
S201 Stainless Steel Lift Off Hinge 100x75x2.5 – Left Hand	3
S202 Stainless Steel Lift Off Hinge 100x75x2.5 – Right Hand	4
S203 Stainless Steel Lift Off Hinge 100x75x2.5 – Non-Handed	5
S210 Stainless Steel Butt Hinge 100x60x2.5 Fixed Pin	6
S211 Stainless Steel Butt Hinge 100x60x2.5 Loose Pin	7
S220 Stainless Steel Butt Hinge 100x75x2.5mm Fixed Pin	8
S221 Stainless Steel Butt Hinge 100x75x2.5mm Loose Pin	9
S224 Stainless Steel Ball Bearing Butt Hinge 100x75x2.5mm	10
S230 Stainless Steel Butt Hinge 100x100x2.5mm Fixed Pin	11
S231 Stainless Steel Butt Hinge 100x100x2.5mm Loose Pin	12
S234 Stainless Steel Ball Bearing Butt Hinge 100x100x2.5mm	13
S240 Stainless Steel Bearing Wide Throw Butt Hinge 100x150x3.0mm	14
S241 Stainless Steel Bearing Wide Throw Butt Hinge 100x200x3.0mm	15
S252 Stainless Steel 316 Butt Hinge 100x75x2.5mm Fixed Pin	16
S254 Stainless Steel 316 Ball Bearing Butt Hinge 100x100x2.5mm	17
S261 Stainless Steel Interfold Hinge 100x36x2.5mm Fixed Pin	18
S262 Stainless Steel Interfold Hinge 130mm.....	19
S263 Stainless Steel Interfold Hinge 100mm.....	20
S264 Stainless Steel Interfold Hinge 100mm.....	21
S265 Stainless Steel Ball Bearing Butt Hinge 100x75x3.0mm	22
S266 Stainless Steel Ball Bearing Butt Hinge 100x100x3.0mm	23
S267 Stainless Steel Interfold Hinge 102x32mm	24
S268 Stainless Steel Butt Hinge 100x75x3.0mm Fixed Pin.....	25
S271 Stainless Steel Swing Clear “Hospital” Ball Bearing Hinge	26
S275 Stainless Steel Screen Door Hinge 75x45x1.5mm	27
S279 Stainless Steel Washered Butt Hinge 76x50x1.5mm.....	28
S224AL Stainless Steel Anti-Ligature Butt Hinge 100x75x2.5mm.....	29
S234AL Stainless Steel Anti-Ligature Butt Hinge 100x100x2.5mm.....	30
S263AL Stainless Steel Anti-Ligature Interfold Hinge 100mm	31
S289 Stainless Steel Parliament Hinge 100x150x3.5mm Fixed Pin.....	32
S290 Stainless Steel Parliament Hinge 100x175x3.5mm Fixed Pin.....	33
S292 Stainless Steel Parliament Hinge 75x125x3.5mm Fixed Pin.....	34
S293 Stainless Steel Parliament Hinge 125x175x3.5mm Fixed Pin.....	35
S301D Stainless Steel Piano Hinge Drilled - 29x1.0x1830mm	36
S301U Stainless Steel Piano Hinge Undrilled - 29x1.0x1830mm	36
S302D Stainless Steel Piano Hinge Drilled - 32x1.0x1830mm	37
S302U Stainless Steel Piano Hinge Undrilled - 32x1.0x1830mm	37
S303D Stainless Steel Piano Hinge Drilled - 38x1.0x1830mm	38
S303U Stainless Steel Piano Hinge Undrilled - 38x1.0x1830mm	38
S304D Stainless Steel Piano Hinge Drilled - 51x1.5x1830mm	39
S304U Stainless Steel Piano Hinge Undrilled - 51x1.5x1830mm	39
S305D Stainless Steel Piano Hinge Drilled 76x1.6x1830mm	40
S305U Stainless Steel Piano Hinge Undrilled 76x1.6x1830mm	40
S306D Stainless Steel Piano Hinge Drilled - 102x3.0x1830mm	41
S306U Stainless Steel Piano Hinge Undrilled - 102x3.0x1830mm	41
Notes:	42

S201 Stainless Steel Lift Off Hinge 100x75x2.5 – Left Hand



SPECIFICATION

- **Hinge Type:** Lift Off Butt – Left Hand
- **Material:** Stainless Steel 304 grade
- **Hinge Pin:** 6.9mm Diameter Stainless Steel 304 grade.
- **Bearing:** Bearing Washer Stainless Steel 304 grade
- **Knuckle:** Round
- **Endcaps:** Stainless Steel 304 grade Pressed Interference fit
- **Fixing Holes:** Industry Standard hole pattern to suit pressed metal frames.
- **Fire Rated:** N/A
- **Maximum Weight Capacity:** 25kg's – 3 Hinges

INSTALLATION GUIDE

- Minimum Door Thickness 35mm
- Suitable for Timber doors with Timber or Metal frames
- As a guide doors:
 - 2040 high x 820 up to 25kg's – 3 hinges
- Recommended that the minimum of 3 hinges be used with the top hinge located as high as possible.

FIXING

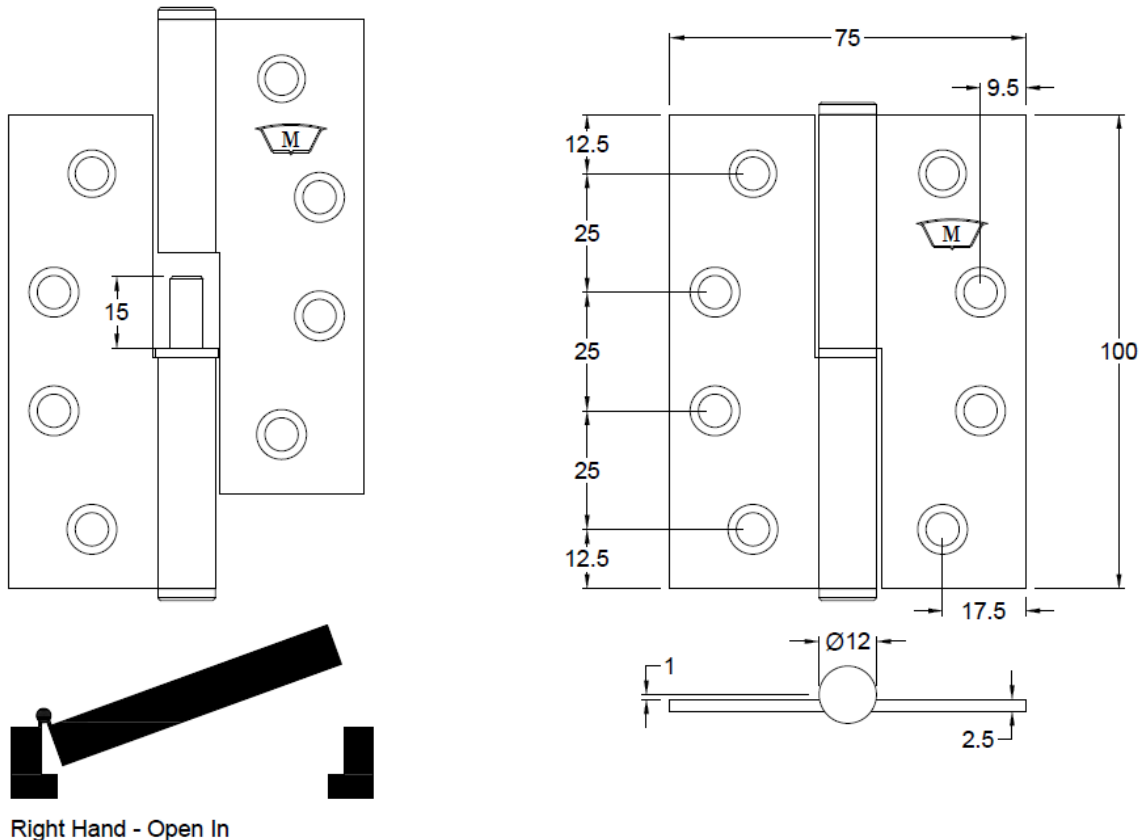
- Fastening screws supplied
- Metal fixings – M5 x 12mm, Countersunk Phillips Stainless Steel metal screw
- Timber fixings – 10G x 32mm Stainless Steel type AB self-tapping Phillips drive screw.

FINISH

S201SSS – Satin Stainless Steel

S201BLK – Black

S202 Stainless Steel Lift Off Hinge 100x75x2.5 – Right Hand



SPECIFICATION

- **Hinge Type:** Lift Off Butt – Right Hand
- **Material:** Stainless Steel 304 grade
- **Hinge Pin:** 6.9mm Diameter Stainless Steel 304 grade.
- **Bearing:** Bearing Washer Stainless Steel 304 grade
- **Knuckle:** Round
- **Endcaps:** Stainless Steel 304 grade Pressed Interference fit
- **Fixing Holes:** Industry Standard hole pattern to suit pressed metal frames.
- **Fire Rated:** N/A
- **Maximum Weight Capacity:** 25kg's – 3 Hinges

INSTALLATION GUIDE

- Minimum Door Thickness 35mm
- Suitable for Timber doors with Timber or Metal frames
- As a guide doors:
 - 2040 high x 820 up to 25kg's – 3 hinges
- Recommended that the minimum of 3 hinges be used with the top hinge located as high as possible.

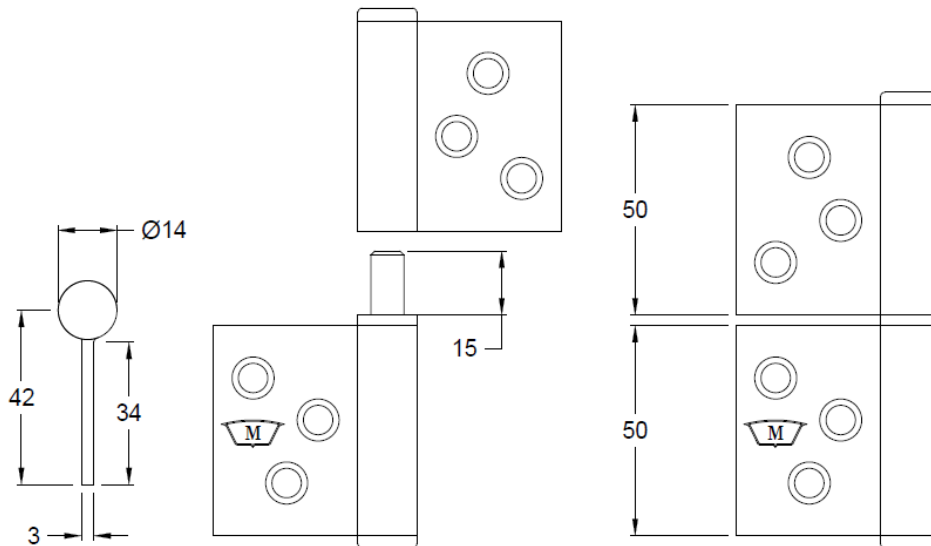
FIXING

- Fastening screws supplied
- Metal fixings – M5 x 12mm, Countersunk Phillips Stainless Steel metal screw
- Timber fixings – 10G x 32mm Stainless Steel type AB self-tapping Phillips drive screw.

FINISH

S202SSS – Satin Stainless Steel
S202BLK – Black

S203 Stainless Steel Lift Off Hinge 100x75x2.5 – Non-Handed



SPECIFICATION

- **Hinge Type:** Lift Off Butt – Non-Handed
- **Material:** Stainless Steel 304 grade
- **Hinge Pin:** 6.9mm Diameter Stainless Steel 304 grade.
- **Bearing:** Bearing Washer Stainless Steel
- **Knuckle:** Round
- **Endcaps:** Stainless Steel 304 grade Pressed Interference fit
- **Fire Rated:** N/A
- **Maximum Weight Capacity:** 25kg's – 3 Hinges

INSTALLATION GUIDE

- Minimum Door Thickness 35mm
- Suitable for Timber doors with Timber or Metal frames
- As a guide doors:
 - 2040 high x 820 up to 25kg's – 3 hinges
- Recommended that the minimum of 3 hinges be used with the top hinge located as high as possible.

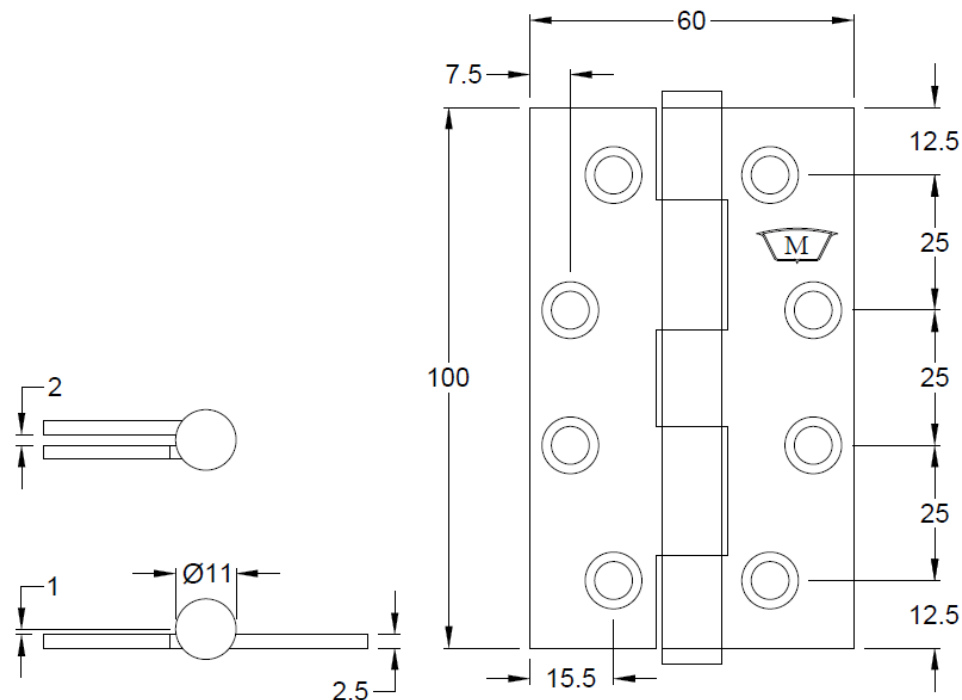
FIXING

- Fastening screws supplied
- Metal fixings – M5 x 12mm, Countersunk Phillips Stainless Steel metal screw
- Timber fixings – 10G x 32mm Stainless Steel type AB self-tapping Phillips drive screw.

FINISH

S203SSS – Satin Stainless Steel
S203BLK – Black

S210 Stainless Steel Butt Hinge 100x60x2.5 Fixed Pin



SPECIFICATION

- **Hinge Type:** Narrow Butt – Fixed Pin
- **Material:** Stainless Steel 304 grade
- **Hinge Pin:** 6.9mm Diameter Stainless Steel 304 grade.
- **Bearing:** N/A
- **Knuckle:** Round
- **Endcaps:** Stainless Steel 304 grade Pressed Interference fit
- **Fire Rated:** N/A

INSTALLATION GUIDE

- Minimum Door Thickness 35mm
- Suitable for Timber doors with Timber or some Metal frames
- As a guide doors:
 - 2040 high x 820 – 3 hinges
- Recommended that the minimum of 3 hinges be used with the top hinge located as high as possible.

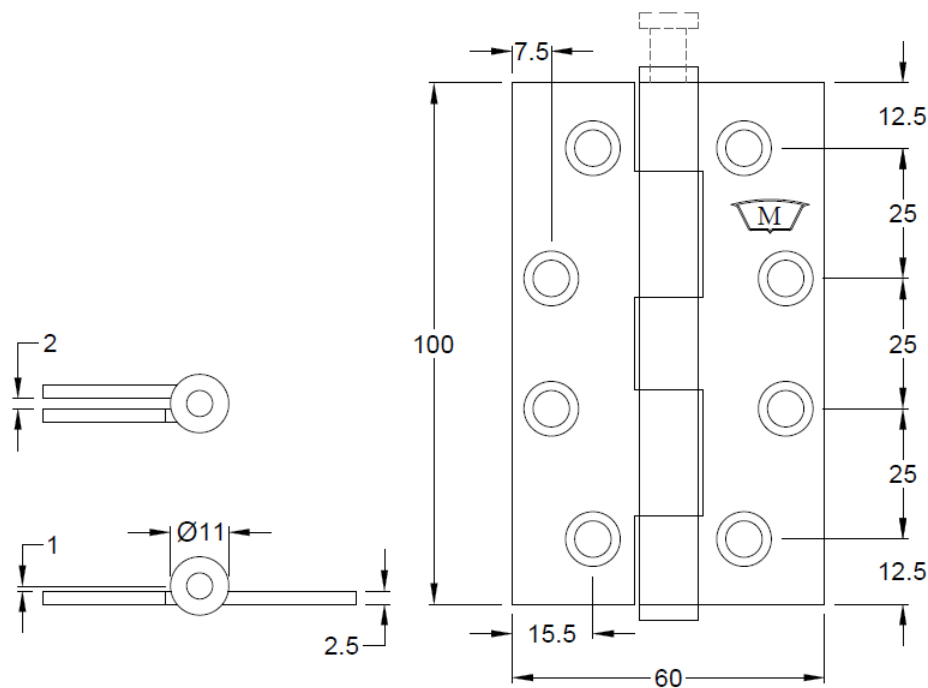
FIXING

- Fastening screws supplied
- Metal fixings – M5 x 12mm, Countersunk Phillips Stainless Steel metal screw
- Timber fixings – 10G x 32mm Stainless Steel type AB self-tapping Phillips drive screw.

FINISH

S210SSS – Satin Stainless Steel

S211 Stainless Steel Butt Hinge 100x60x2.5 Loose Pin



SPECIFICATION

- **Hinge Type:** Narrow Butt – Loose Pin
- **Material:** Stainless Steel 304 grade
- **Hinge Pin:** 6.9mm Diameter Stainless Steel 304 grade.
- **Bearing:** N/A
- **Knuckle:** Round
- **Endcaps:** Stainless Steel 304 grade Pressed Interference fit
- **Fire Rated:** N/A

INSTALLATION GUIDE

- Minimum Door Thickness 35mm
- Suitable for Timber doors with Timber or some Metal frames
- As a guide doors:
 - 2040 high x 820 – 3 hinges
- Recommended that the minimum of 3 hinges be used with the top hinge located as high as possible.

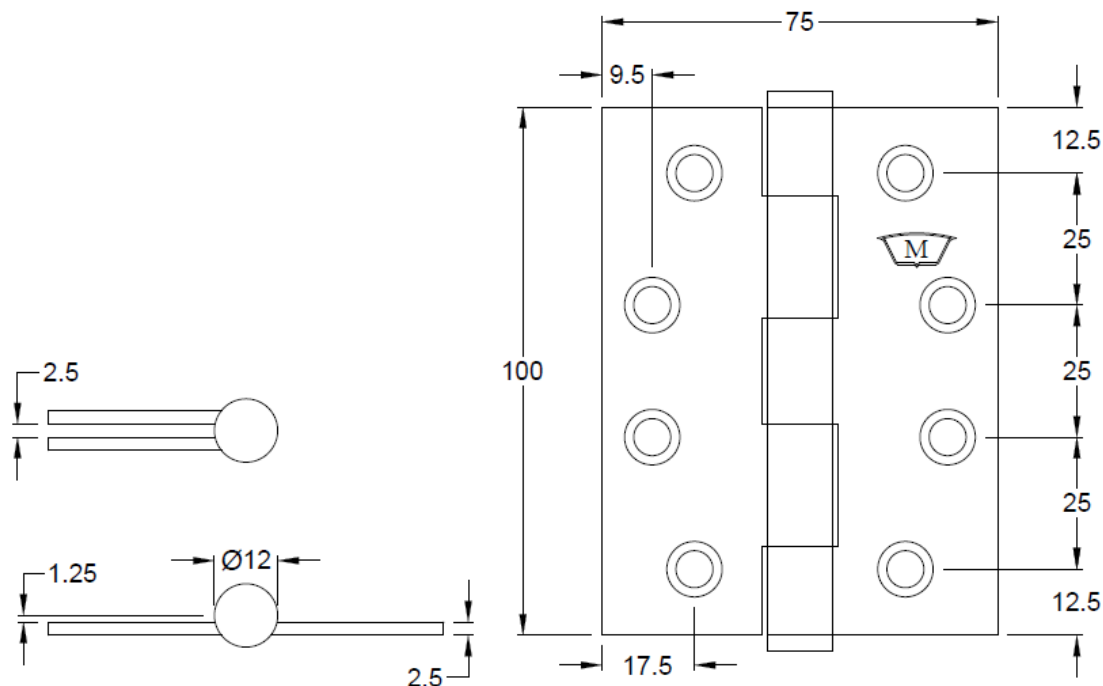
FIXING

- Fastening screws supplied
- Metal fixings – M5 x 12mm, Countersunk Phillips Stainless Steel metal screw
- Timber fixings – 10G x 32mm Stainless Steel type AB self-tapping Phillips drive screw.


FINISH

S211SSS – Satin Stainless Steel

S220 Stainless Steel Butt Hinge 100x75x2.5mm Fixed Pin



SPECIFICATION

- **Hinge Type:** Broad Butt – Fixed Pin
- **Material:** Stainless Steel 304 grade
- **Hinge Pin:** 6.9mm Diameter Stainless Steel 304 grade.
- **Bearing:** N/A
- **Knuckle:** Round
- **Endcaps:** Stainless Steel 304 grade Pressed Interference fit
- **Fixing Holes:** Industry Standard hole pattern to suit pressed metal frames.
-  **Fire Rated:** Successfully tested in accordance with Australian Standard AS 1905.1-2015

INSTALLATION GUIDE

- Minimum Door Thickness 35mm
- Suitable for Timber doors with Timber or some Metal frames
- As a guide doors:
 - 2040 high x 820 – 3 hinges
- Recommended that the minimum of 3 hinges be used with the top hinge located as high as possible.

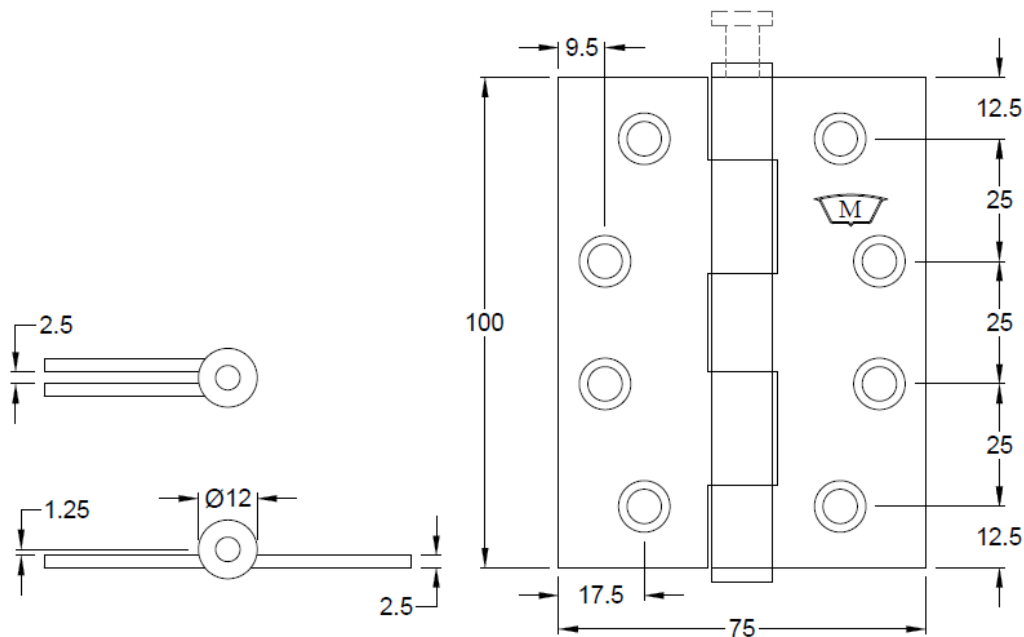
FIXING

- Fastening screws supplied
- Metal fixings – M5 x 12mm, Countersunk Phillips Stainless Steel metal screw
- Timber fixings – 10G x 32mm Stainless Steel type AB self-tapping Phillips drive screw.


FINISH

S220SSS – Satin Stainless Steel
S220PSS – Polished Stainless Steel
S220BLK – Black
S220PVD – PVD

S221 Stainless Steel Butt Hinge 100x75x2.5mm Loose Pin



SPECIFICATION

- **Hinge Type:** Broad Butt – Loose Pin
- **Material:** Stainless Steel 304 grade
- **Hinge Pin:** 6.9mm Diameter Stainless Steel 304 grade.
- **Bearing:** N/A
- **Knuckle:** Round
- **Endcaps:** Stainless Steel 304 grade Pressed Interference fit
- **Fixing Holes:** Industry Standard hole pattern to suit pressed metal frames.
-  **Fire Rated:** Successfully tested in accordance with Australian Standard AS 1905.1-2015

INSTALLATION GUIDE

- Minimum Door Thickness 35mm
- Suitable for Timber doors with Timber or some Metal frames
- As a guide doors:
 - 2040 high x 820 – 3 hinges
- Recommended that the minimum of 3 hinges be used with the top hinge located as high as possible.

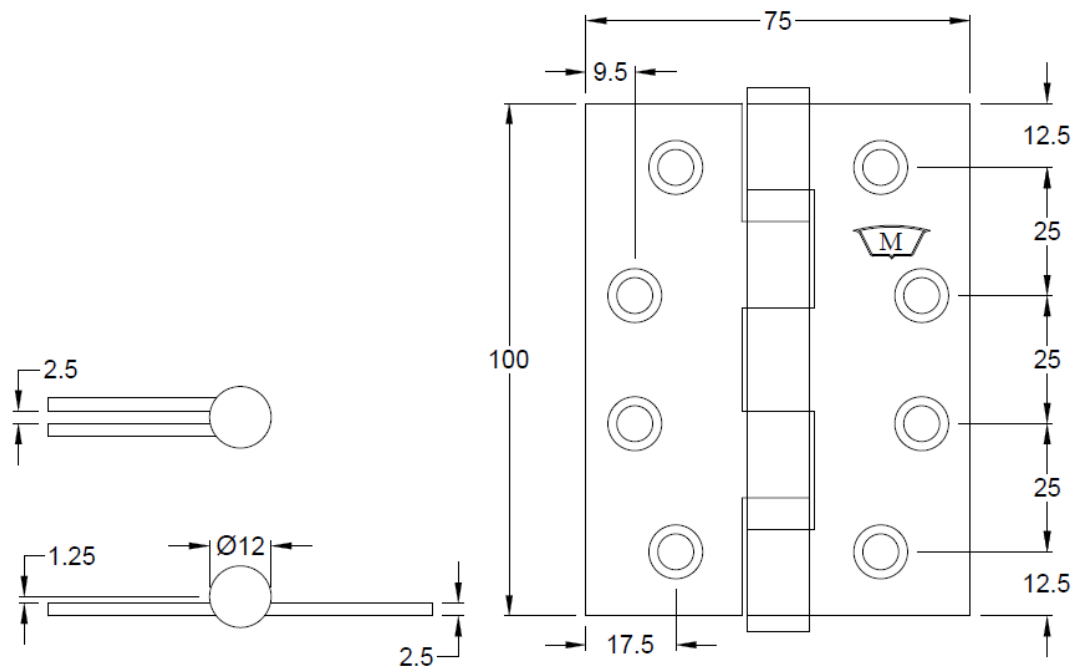
FIXING

- Fastening screws supplied
- Metal fixings – M5 x 12mm, Countersunk Phillips Stainless Steel metal screw
- Timber fixings – 10G x 32mm Stainless Steel type AB self-tapping Phillips drive screw.


FINISH

S221SSS – Satin Stainless Steel
S221PSS – Polished Stainless Steel
S221BLK – Black
S221PVD – PVD

S224 Stainless Steel Ball Bearing Butt Hinge 100x75x2.5mm



SPECIFICATION

- **Hinge Type:** Ball Bearing Butt – Fixed Pin
- **Material:** Stainless Steel 304 grade
- **Hinge Pin:** 6.9mm Diameter Stainless Steel 304 grade.
- **Bearing:** Stainless Steel – Cage & Bearing
- **Knuckle:** Round
- **Endcaps:** Stainless Steel 304 grade Pressed Interference fit
- **Fixing Holes:** Industry Standard hole pattern to suit pressed metal frames.
-  **Fire Rated:** Successfully tested in accordance with Australian Standard AS 1905.1-2015

INSTALLATION GUIDE

- Minimum Door Thickness 35mm
- Suitable for Timber doors with Timber or some Metal frames
- As a guide doors:
 - 2040 high x 820 – 3 hinges
- Recommended that the minimum of 3 hinges be used with the top hinge located as high as possible.

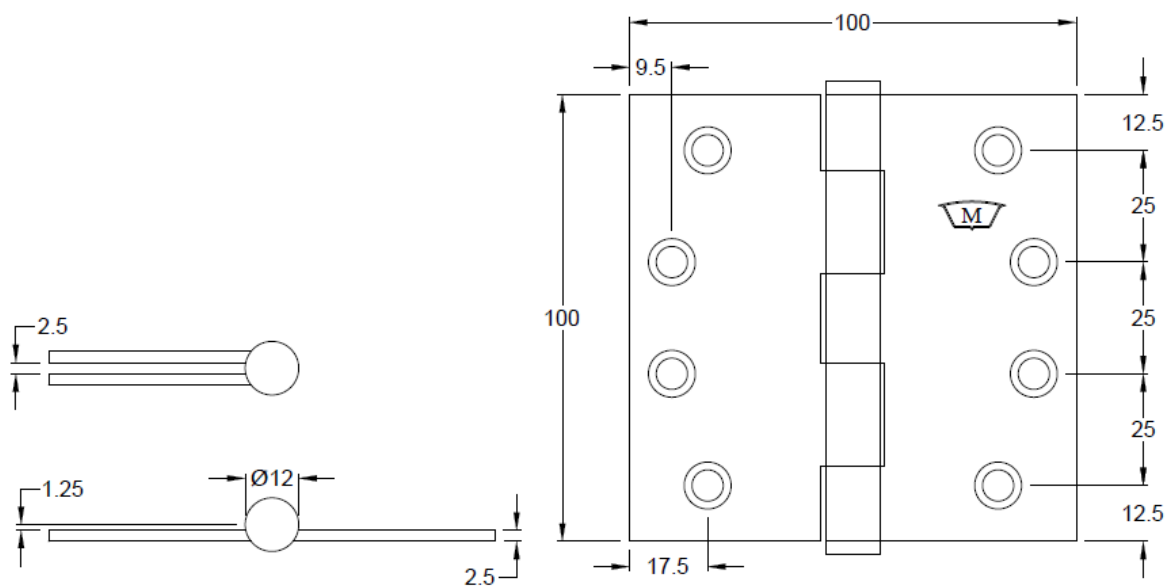
FIXING

- Fastening screws supplied
- Metal fixings – M5 x 12mm, Countersunk Phillips Stainless Steel metal screw
- Timber fixings – 10G x 32mm Stainless Steel type AB self-tapping Phillips drive screw.


FINISH

S224SSS – Satin Stainless Steel
S224PSS – Polished Stainless Steel
S224BLK – Black
S224PVD – PVD

S230 Stainless Steel Butt Hinge 100x100x2.5mm Fixed Pin



SPECIFICATION

- **Hinge Type:** Broad Butt – Fixed Pin
- **Material:** Stainless Steel 304 grade
- **Hinge Pin:** 6.9mm Diameter Stainless Steel 304 grade.
- **Bearing:** N/A
- **Knuckle:** Round
- **Endcaps:** Stainless Steel 304 grade Pressed Interference fit
- **Fixing Holes:** Industry Standard hole pattern to suit pressed metal frames.
-  **Fire Rated:** Successfully tested in accordance with Australian Standard AS 1905.1-2015

INSTALLATION GUIDE

- Minimum Door Thickness 35mm
- Suitable for Timber doors with Timber or some Metal frames
- As a guide doors:
 - 2040 high x 820 – 3 hinges
- Recommended that the minimum of 3 hinges be used with the top hinge located as high as possible.

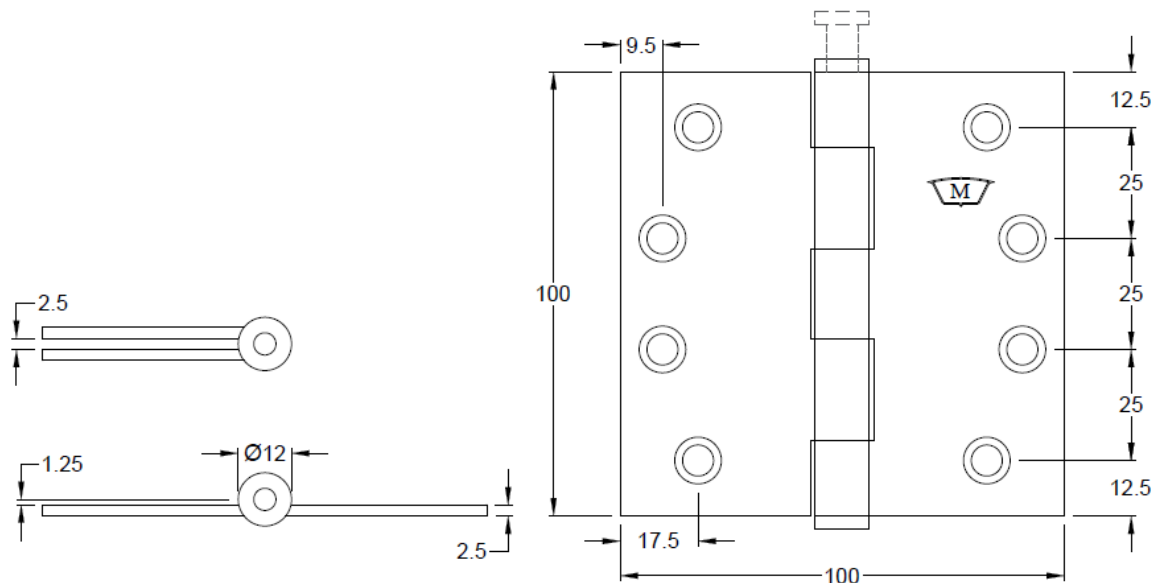
FIXING

- Fastening screws supplied
- Metal fixings – M5 x 12mm, Countersunk Phillips Stainless Steel metal screw
- Timber fixings – 10G x 32mm Stainless Steel type AB self-tapping Phillips drive screw.


FINISH

S230SSS – Satin Stainless Steel
S230PSS – Polished Stainless Steel
S230BLK – Black
S230PVD – PVD

S231 Stainless Steel Butt Hinge 100x100x2.5mm Loose Pin



SPECIFICATION

- **Hinge Type:** Broad Butt – Loose Pin
- **Material:** Stainless Steel 304 grade
- **Hinge Pin:** 6.9mm Diameter Stainless Steel 304 grade.
- **Bearing:** N/A
- **Knuckle:** Round
- **Endcaps:** Stainless Steel 304 grade Pressed Interference fit
- **Fixing Holes:** Industry Standard hole pattern to suit pressed metal frames.
-  **Fire Rated:** Successfully tested in accordance with Australian Standard AS 1905.1-2015

INSTALLATION GUIDE

- Minimum Door Thickness 35mm
- Suitable for Timber doors with Timber or some Metal frames
- As a guide doors:
 - 2040 high x 820 – 3 hinges
- Recommended that the minimum of 3 hinges be used with the top hinge located as high as possible.

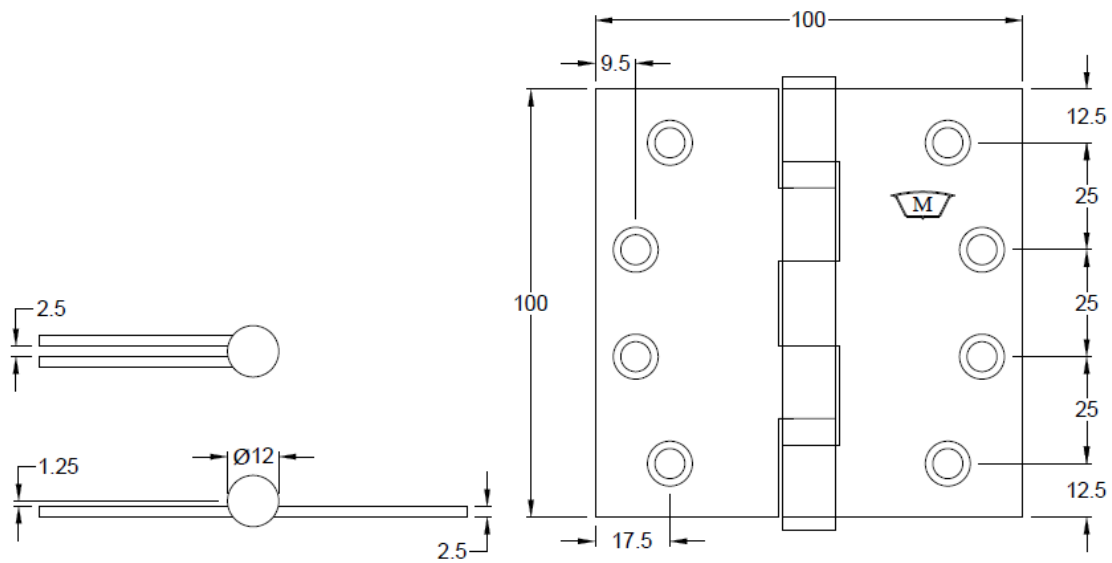
FIXING

- Fastening screws supplied
- Metal fixings – M5 x 12mm, Countersunk Phillips Stainless Steel metal screw
- Timber fixings – 10G x 32mm Stainless Steel type AB self-tapping Phillips drive screw.


FINISH

S221SSS – Satin Stainless Steel
S221PSS – Polished Stainless Steel
S221BLK – Black

S234 Stainless Steel Ball Bearing Butt Hinge 100x100x2.5mm



SPECIFICATION

- **Hinge Type:** Ball Bearing Butt – Fixed Pin
- **Material:** Stainless Steel 304 grade
- **Hinge Pin:** 6.9mm Diameter Stainless Steel 304 grade.
- **Bearing:** Stainless Steel – Cage & Bearing
- **Knuckle:** Round
- **Endcaps:** Stainless Steel 304 grade Pressed Interference fit
- **Fixing Holes:** Industry Standard hole pattern to suit pressed metal frames.
-  **Fire Rated:** Successfully tested in accordance with Australian Standard AS 1905.1-2015

INSTALLATION GUIDE

- Minimum Door Thickness 35mm
- Suitable for Timber doors with Timber or some Metal frames
- As a guide doors:
 - 2040 high x 820 – 3 hinges
- Recommended that the minimum of 3 hinges be used with the top hinge located as high as possible.

FIXING

- Fastening screws supplied
- Metal fixings – M5 x 12mm, Countersunk Phillips Stainless Steel metal screw
- Timber fixings – 10G x 32mm Stainless Steel type AB self-tapping Phillips drive screw.

FINISH

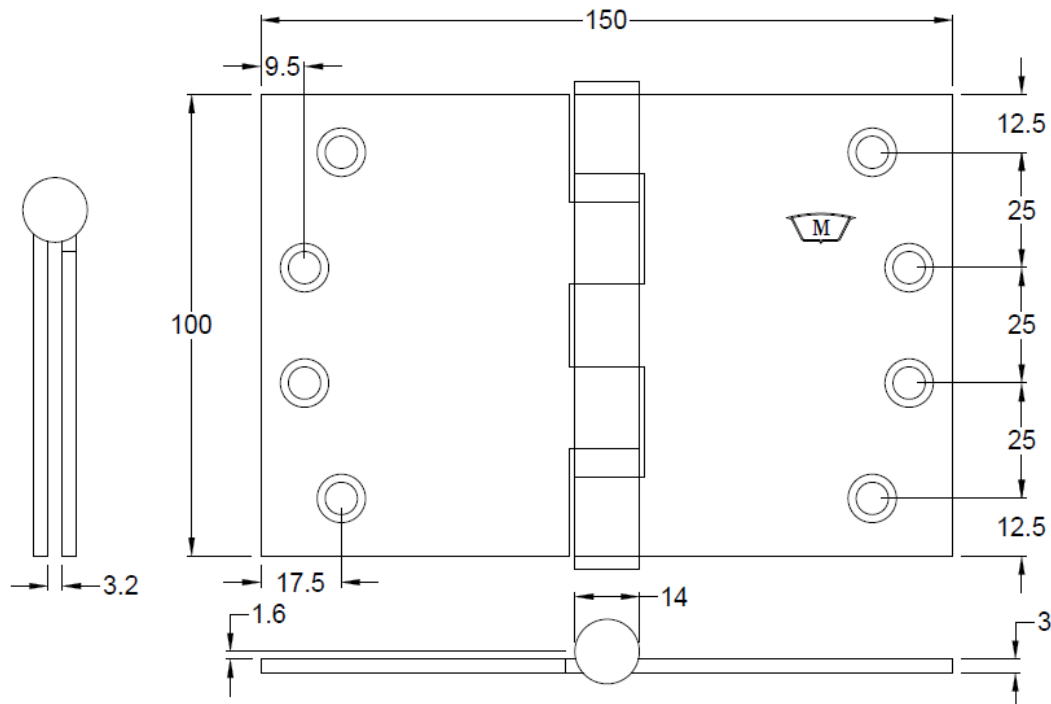
S234SSS – Satin Stainless Steel

S234PSS – Polished Stainless Steel

S234BLK – Black

S234PVD – PVD

S240 Stainless Steel Bearing Wide Throw Butt Hinge 100x150x3.0mm



SPECIFICATION

- **Hinge Type:** Ball Bearing Wide Throw Butt
- **Material:** Stainless Steel 304 grade
- **Hinge Pin:** 6.9mm Diameter Stainless Steel 304 grade.
- **Bearing:** Stainless Steel – Cage & Bearing
- **Knuckle:** Round
- **Endcaps:** Stainless Steel 304 grade Pressed Interference fit
- **Fixing Holes:** Industry Standard hole pattern to suit pressed metal frames.
- **Fire Rated:** N/A

INSTALLATION GUIDE

- Minimum Door Thickness 35mm
- Suitable for Timber doors with Timber or some Metal frames
- As a guide doors:
 - 2040 high x 820 – 3 hinges
- Recommended that the minimum of 3 hinges be used with the top hinge located as high as possible.

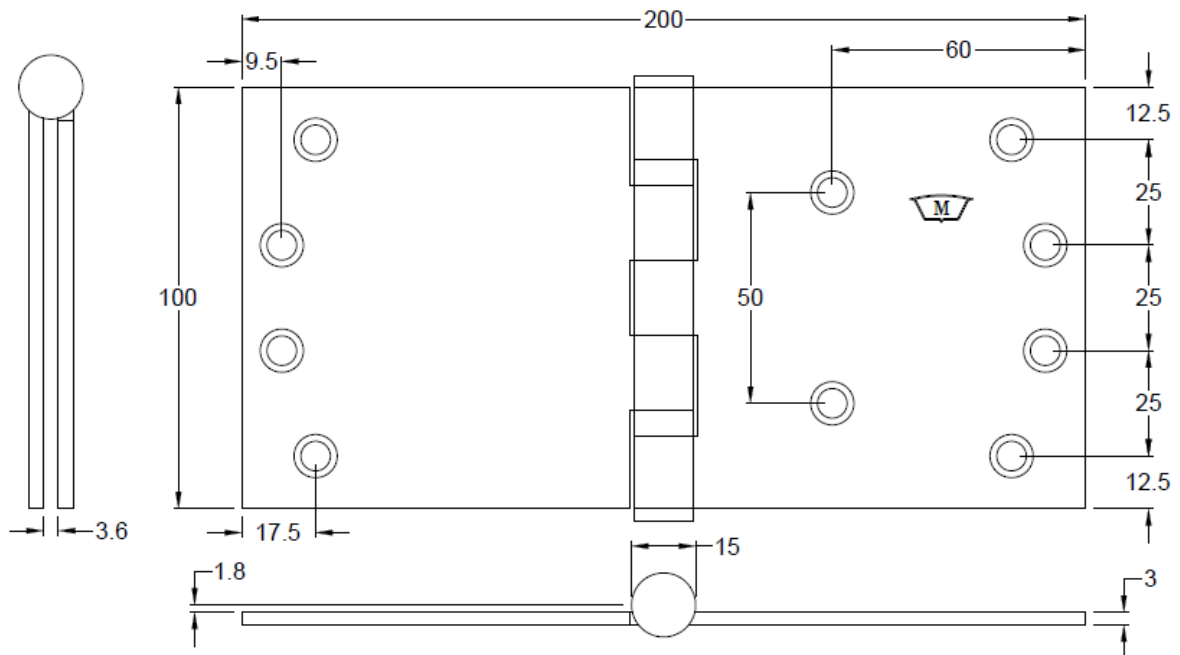
FIXING

- Fastening screws supplied
- Metal fixings – M5 x 12mm, Countersunk Phillips Stainless Steel metal screw
- Timber fixings – 10G x 32mm Stainless Steel type AB self-tapping Phillips drive screw.

FINISH

S240SSS – Satin Stainless Steel

S241 Stainless Steel Bearing Wide Throw Butt Hinge 100x200x3.0mm



SPECIFICATION

- **Hinge Type:** Ball Bearing Wide Throw Butt
- **Material:** Stainless Steel 304 grade
- **Hinge Pin:** 6.9mm Diameter Stainless Steel 304 grade.
- **Bearing:** Stainless Steel – Cage & Bearing
- **Knuckle:** Round
- **Endcaps:** Stainless Steel 304 grade Pressed Interference fit
- **Fixing Holes:** Industry Standard hole pattern to suit pressed metal frames.
- **Fire Rated:** N/A

INSTALLATION GUIDE

- Minimum Door Thickness 35mm
- Suitable for Timber doors with Timber or some Metal frames
- As a guide doors:
 - 2040 high x 820 – 3 hinges
- Recommended that the minimum of 3 hinges be used with the top hinge located as high as possible.

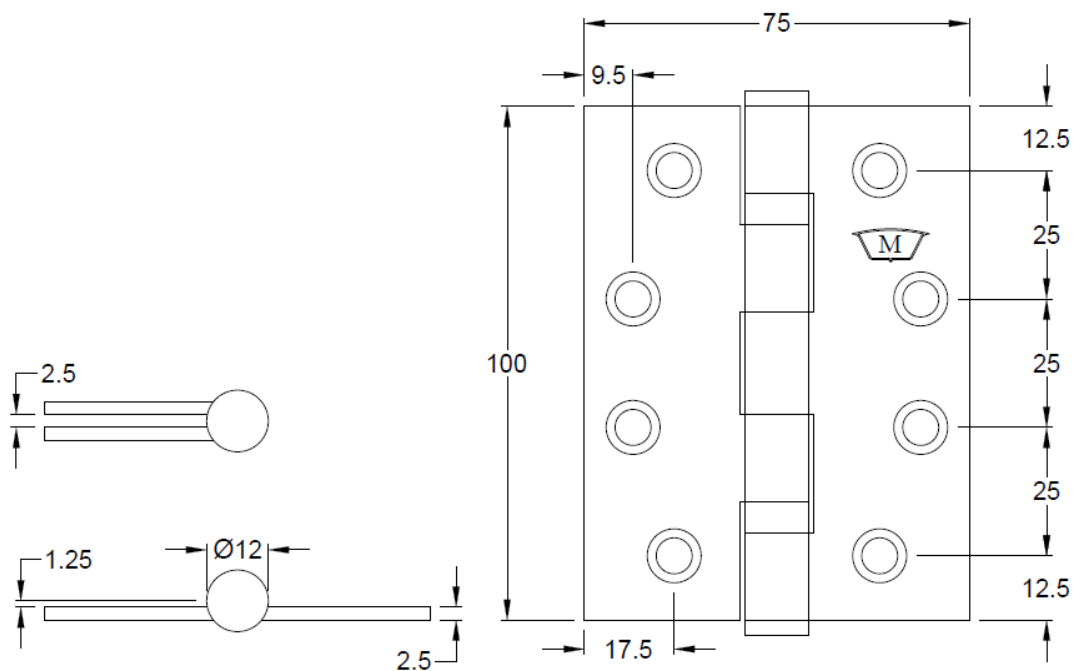
FIXING

- Fastening screws supplied
- Metal fixings – M5 x 12mm, Countersunk Phillips Stainless Steel metal screw
- Timber fixings – 10G x 32mm Stainless Steel type AB self-tapping Phillips drive screw.


FINISH

S241SSS – Satin Stainless Steel

S252 Stainless Steel 316 Butt Hinge 100x75x2.5mm Fixed Pin



SPECIFICATION

- **Hinge Type:** Broad Butt – Fixed Pin
- **Material:** Stainless Steel 316 grade
- **Hinge Pin:** 6.9mm Diameter Stainless Steel 304 grade.
- **Bearing:** N/A
- **Knuckle:** Round
- **Endcaps:** Stainless Steel 304 grade Pressed Interference fit
- **Fixing Holes:** Industry Standard hole pattern to suit pressed metal frames.
-  **Fire Rated:** Successfully tested in accordance with Australian Standard AS 1905.1-2015

INSTALLATION GUIDE

- Minimum Door Thickness 35mm
- Suitable for Timber doors with Timber or some Metal frames
- As a guide doors:
 - 2040 high x 820 – 3 hinges
- Recommended that the minimum of 3 hinges be used with the top hinge located as high as possible.

FIXING

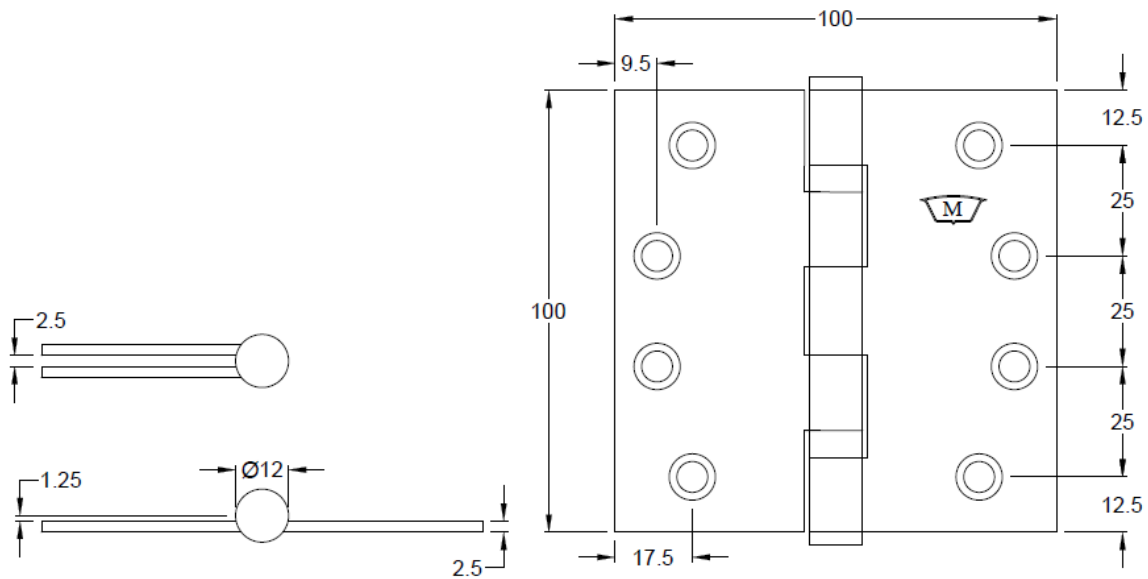
- Fastening screws supplied
- Metal fixings – M5 x 12mm, Countersunk Phillips Stainless Steel metal screw
- Timber fixings – 10G x 32mm Stainless Steel type AB self-tapping Phillips drive screw.

FINISH


S252SSS – Satin Stainless Steel

S252PSS – Polished Stainless Steel

S254 Stainless Steel 316 Ball Bearing Butt Hinge 100x100x2.5mm



SPECIFICATION

- **Hinge Type:** Ball Bearing Butt – Fixed Pin
- **Material:** Stainless Steel 316 grade
- **Hinge Pin:** 6.9mm Diameter Stainless Steel 304 grade.
- **Bearing:** Stainless Steel – Cage & Bearing
- **Knuckle:** Round
- **Endcaps:** Stainless Steel 304 grade Pressed Interference fit
- **Fixing Holes:** Industry Standard hole pattern to suit pressed metal frames.
-  **Fire Rated:** Successfully tested in accordance with Australian Standard AS 1905.1-2015

INSTALLATION GUIDE

- Minimum Door Thickness 35mm
- Suitable for Timber doors with Timber or some Metal frames
- As a guide doors:
 - 2040 high x 820 – 3 hinges
- Recommended that the minimum of 3 hinges be used with the top hinge located as high as possible.

FIXING

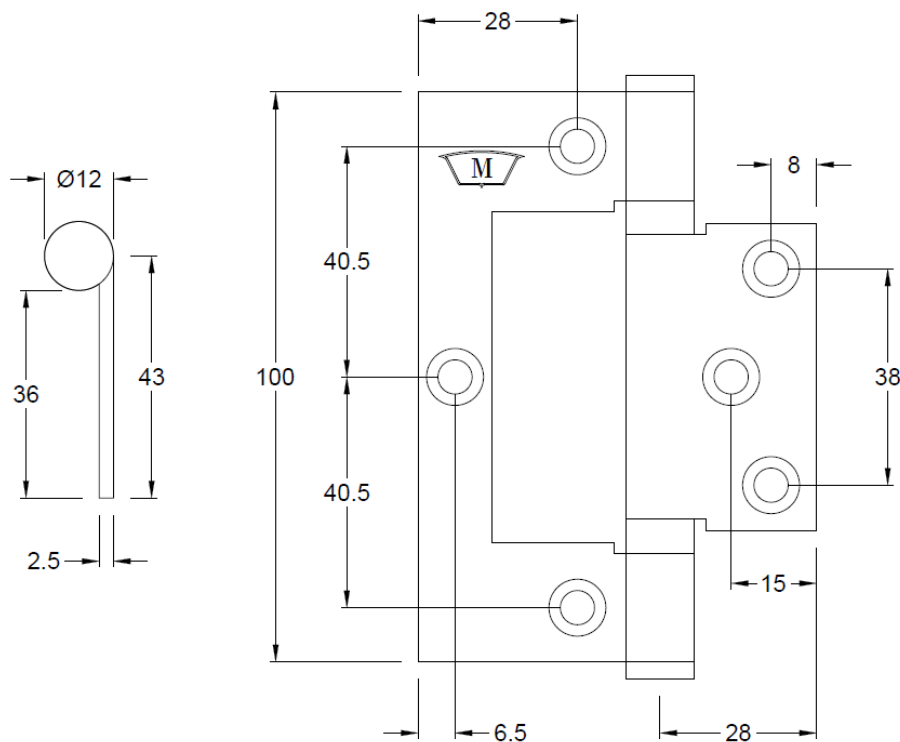
- Fastening screws supplied
- Metal fixings – M5 x 12mm, Countersunk Phillips Stainless Steel metal screw
- Timber fixings – 10G x 32mm Stainless Steel type AB self-tapping Phillips drive screw.

FINISH

S254SSS – Satin Stainless Steel

S254PSS – Polished Stainless Steel

S261 Stainless Steel Interfold Hinge 100x36x2.5mm Fixed Pin



SPECIFICATION

- **Hinge Type:** Interfold Hinge
- **Material:** Stainless Steel 304 grade
- **Hinge Pin:** 6.9mm Diameter Stainless Steel 304 grade.
- **Bearing:** Stainless Steel – Cage & Bearing
- **Knuckle:** Round
- **Endcaps:** Stainless Steel 304 grade Pressed Interference fit

INSTALLATION GUIDE

- Minimum Door Thickness 35mm
- Suitable for Aluminium doors and some Timber in Aluminium frames.
- As a guide doors:
 - 2040 high x 820 – 3 hinges
- Recommended that the minimum of 3 hinges be used with the top hinge located as high as possible.

FIXING

- Fastening screws supplied
- Timber fixings – 10G x 32mm Stainless Steel type AB self-tapping Phillips drive screw.

Pop Rivets are NOT RECOMMENDED

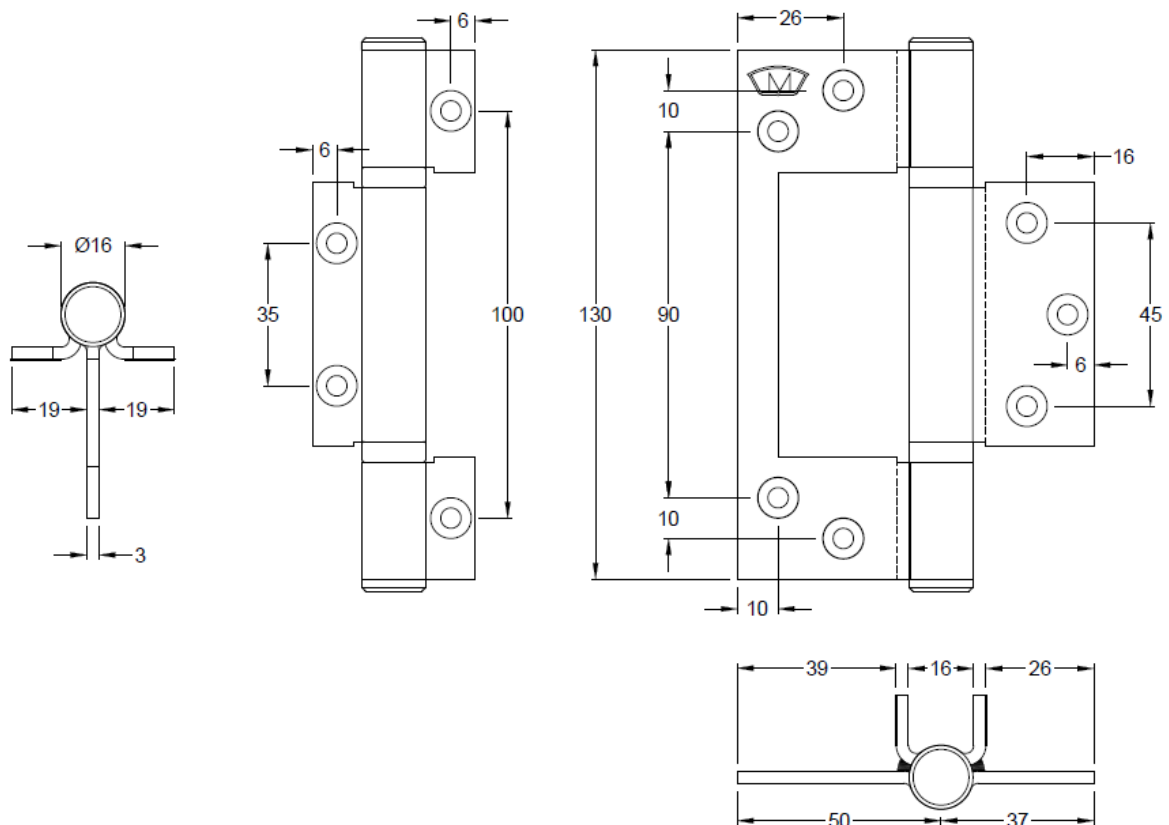
FINISH

S261SSS – Satin Stainless Steel

S261BLK – Black

S261PVD – PVD

S262 Stainless Steel Interfold Hinge 130mm



SPECIFICATION

- **Hinge Type:** Interfold Hinge
- **Material:** Stainless Steel 304 grade
- **Hinge Pin:** 9.5mm Diameter Stainless Steel 304 grade.
- **Bearing:** Stainless Steel – Cage & Bearing
- **Knuckle:** Round
- **Endcaps:** Stainless Steel 304 grade Pressed Interference fit
- **Face Fix:** Wrap Around Face Fixing to Door & Frame
- **Hinge Positioning Locator:** Yes

INSTALLATION GUIDE

- Minimum Door Thickness 35mm
- Suitable for Aluminium doors and some Timber in Aluminium frames.
- As a guide doors:
 - 2040 high x 820 – 3 hinges
- Recommended that the minimum of 3 hinges be used with the top hinge located as high as possible.

FIXING

- Fastening screws supplied
- Timber fixings – 10G x 32mm Stainless Steel type AB self-tapping Phillips drive screw.

Pop Rivets are NOT RECOMMENDED

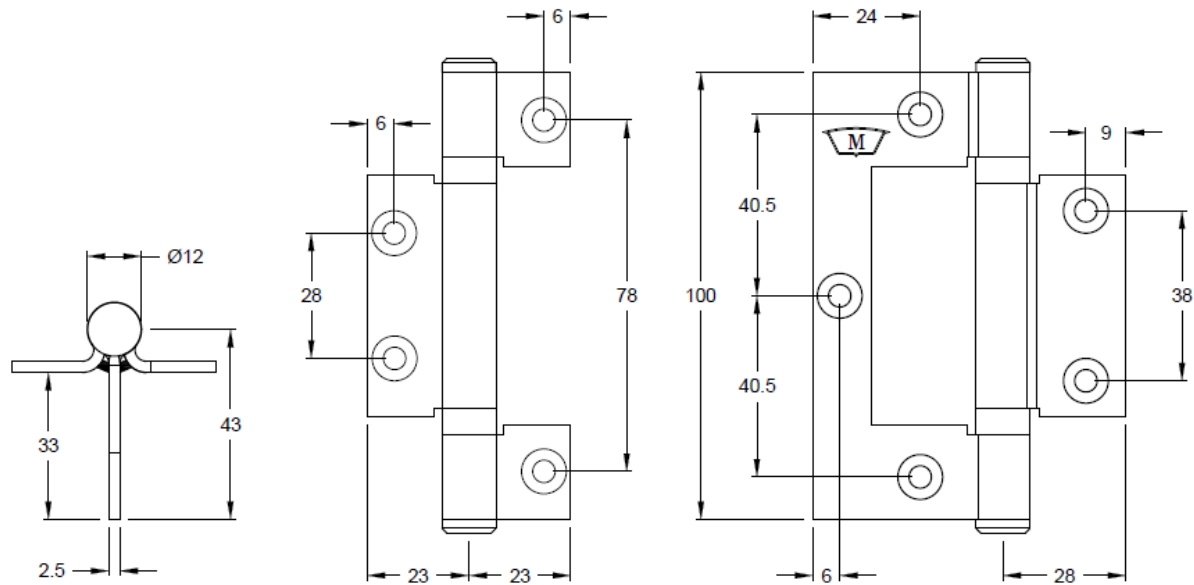
FINISH

S262SSS – Satin Stainless Steel

S262BLK – Black

S262PVD – PVD

S263 Stainless Steel Interfold Hinge 100mm



SPECIFICATION

- **Hinge Type:** Interfold Hinge
- **Material:** Stainless Steel 304 grade
- **Hinge Pin:** 6.9mm Diameter Stainless Steel 304 grade.
- **Bearing:** Stainless Steel – Cage & Bearing
- **Knuckle:** Round
- **Endcaps:** Stainless Steel 304 grade Pressed Interference fit
- **Face Fix:** Wrap Around Face Fixing to Door & Frame
- **Hinge Positioning Locator:** Yes

INSTALLATION GUIDE

- Minimum Door Thickness 35mm
- Suitable for Aluminium doors and some Timber in Aluminium frames.
- As a guide doors:
 - 2040 high x 820 – 3 hinges
- Recommended that the minimum of 3 hinges be used with the top hinge located as high as possible.

FIXING

- Fastening screws supplied
- Timber fixings – 10G x 32mm Stainless Steel type AB self-tapping Phillips drive screw.

Pop Rivets are NOT RECOMMENDED

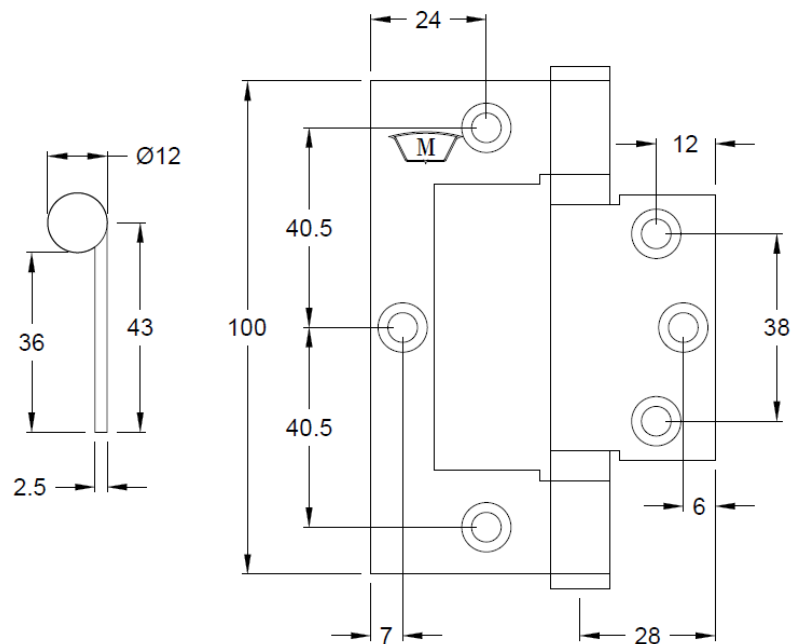
FINISH

S263SSS – Satin Stainless Steel

S263BLK – Black

S263PVD – PVD

S264 Stainless Steel Interfold Hinge 100mm



SPECIFICATION

- **Hinge Type:** Interfold Hinge
- **Material:** Stainless Steel 304 grade
- **Hinge Pin:** 6.9mm Diameter Stainless Steel 304 grade.
- **Bearing:** Stainless Steel – Cage & Bearing
- **Knuckle:** Round
- **Endcaps:** Stainless Steel 304 grade Pressed Interference fit

INSTALLATION GUIDE

- Minimum Door Thickness 35mm
- Suitable for Aluminium doors and some Timber in Aluminium frames.
- As a guide doors:
 - 2040 high x 820 – 3 hinges
- Recommended that the minimum of 3 hinges be used with the top hinge located as high as possible.

FIXING

- Fastening screws supplied
- Timber fixings – 10G x 32mm Stainless Steel type AB self-tapping Phillips drive screw.

Pop Rivets are NOT RECOMMENDED

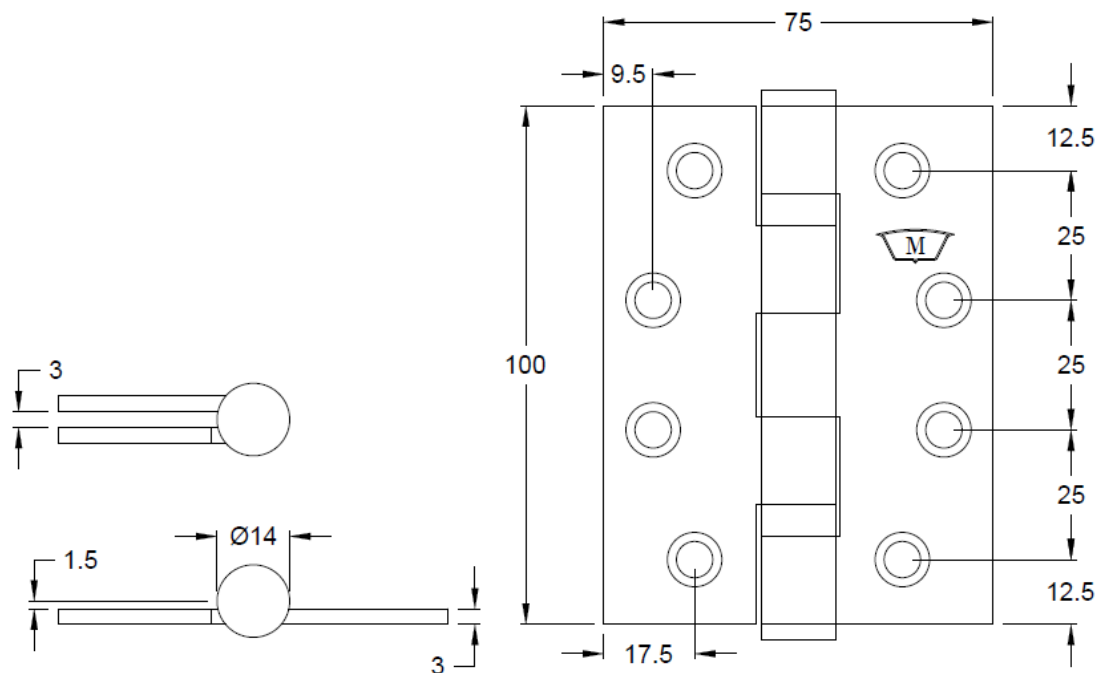
FINISH

S264SSS – Satin Stainless Steel


S264BLK – Black

S264PVD – PVD

S265 Stainless Steel Ball Bearing Butt Hinge 100x75x3.0mm



SPECIFICATION

- **Hinge Type:** Ball Bearing Butt – Fixed Pin
- **Material:** Stainless Steel 304 grade
- **Hinge Pin:** 6.9mm Diameter Stainless Steel 304 grade.
- **Bearing:** Stainless Steel – Cage & Bearing
- **Knuckle:** Round
- **Endcaps:** Stainless Steel 304 grade Pressed Interference fit
- **Fixing Holes:** Industry Standard hole pattern to suit pressed metal frames.
-  **Fire Rated:** Successfully tested in accordance with Australian Standard AS 1905.1-2015

INSTALLATION GUIDE

- Minimum Door Thickness 35mm
- Suitable for Timber doors with Timber or some Metal frames
- As a guide doors:
 - 2040 high x 820 – 3 hinges
- Recommended that the minimum of 3 hinges be used with the top hinge located as high as possible.

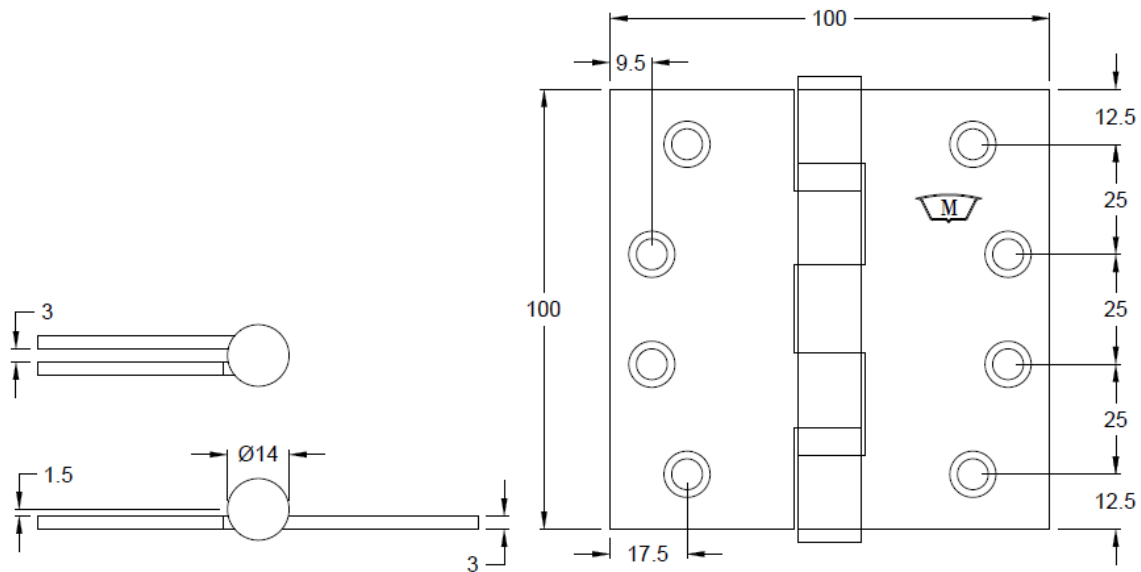
FIXING

- Fastening screws supplied
- Metal fixings – M5 x 12mm, Countersunk Phillips Stainless Steel metal screw
- Timber fixings – 10G x 32mm Stainless Steel type AB self-tapping Phillips drive screw.


FINISH

S265SSS – Satin Stainless Steel
S265PSS – Polished Stainless Steel
S265BLK – Black

S266 Stainless Steel Ball Bearing Butt Hinge 100x100x3.0mm



SPECIFICATION

- **Hinge Type:** Ball Bearing Butt – Fixed Pin
- **Material:** Stainless Steel 304 grade
- **Hinge Pin:** 6.9mm Diameter Stainless Steel 304 grade.
- **Bearing:** Stainless Steel – Cage & Bearing
- **Knuckle:** Round
- **Endcaps:** Stainless Steel 304 grade Pressed Interference fit
- **Fixing Holes:** Industry Standard hole pattern to suit pressed metal frames.
-  **Fire Rated:** Successfully tested in accordance with Australian Standard AS 1905.1-2015

INSTALLATION GUIDE

- Minimum Door Thickness 35mm
- Suitable for Timber doors with Timber or some Metal frames
- As a guide doors:
 - 2040 high x 820 – 3 hinges
- Recommended that the minimum of 3 hinges be used with the top hinge located as high as possible.

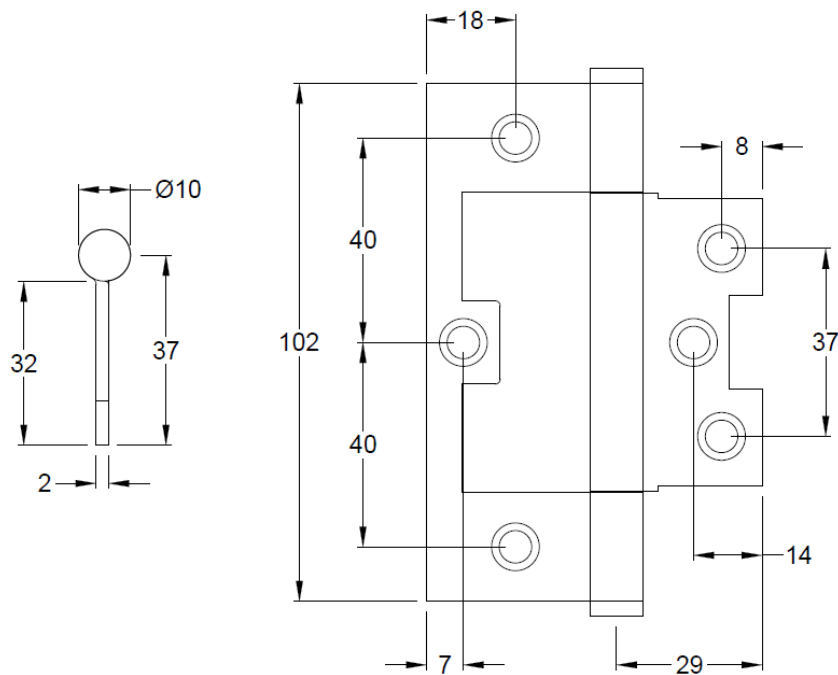
FIXING

- Fastening screws supplied
- Metal fixings – M5 x 12mm, Countersunk Phillips Stainless Steel metal screw
- Timber fixings – 10G x 32mm Stainless Steel type AB self-tapping Phillips drive screw.

FINISH

S266SSS – Satin Stainless Steel
S266PSS – Polished Stainless Steel
S266BLK – Black

S267 Stainless Steel Interfold Hinge 102x32mm



SPECIFICATION

- **Hinge Type:** Interfold Hinge
- **Material:** Stainless Steel 304 grade
- **Hinge Pin:** 6mm Diameter Stainless Steel 304 grade.
- **Bearing:** N/A
- **Knuckle:** Round
- **Endcaps:** Stainless Steel 304 grade Pressed Interference fit

INSTALLATION GUIDE

- Minimum Door Thickness 35mm
- Suitable for Aluminium doors and some Timber in Aluminium frames.
- As a guide doors:
 - 2040 high x 820 – 3 hinges
- Recommended that the minimum of 3 hinges be used with the top hinge located as high as possible.

FIXING

- Fastening screws supplied
- Timber fixings – 10G x 32mm Stainless Steel type AB self-tapping Phillips drive screw.

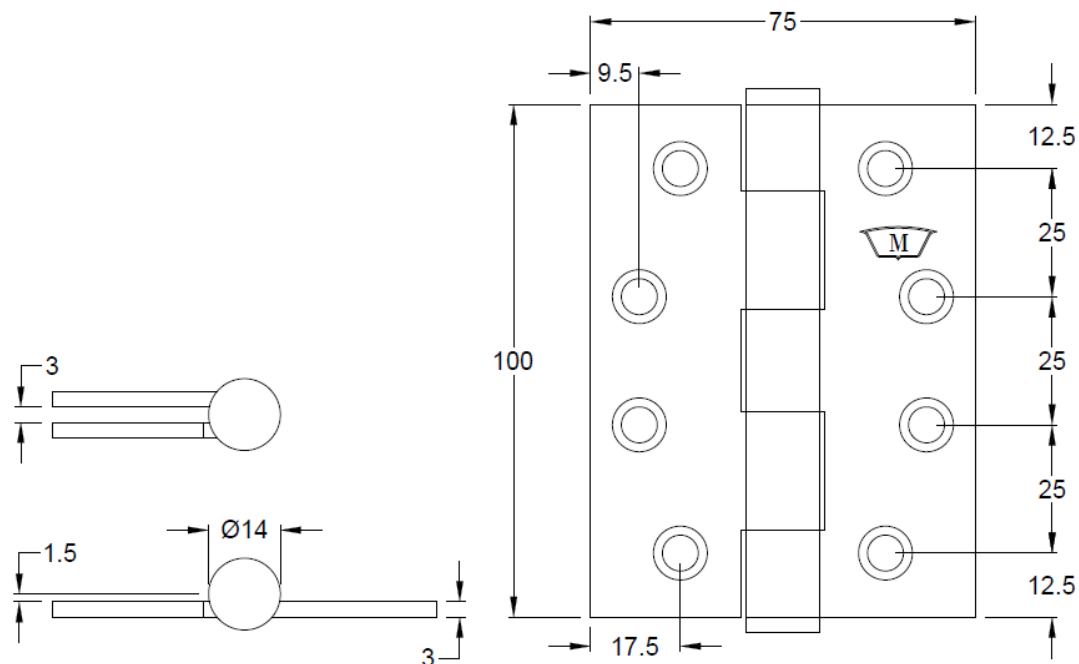
Pop Rivets are NOT RECOMMENDED

FINISH


S267SSS – Satin Stainless Steel

S267BLK – Black

S268 Stainless Steel Butt Hinge 100x75x3.0mm Fixed Pin



SPECIFICATION

- **Hinge Type:** Broad Butt – Fixed Pin
- **Material:** Stainless Steel 304 grade
- **Hinge Pin:** 6.9mm Diameter Stainless Steel 304 grade.
- **Bearing:** N/A
- **Knuckle:** Round
- **Endcaps:** Stainless Steel 304 grade Pressed Interference fit
- **Fixing Holes:** Industry Standard hole pattern to suit pressed metal frames.
-  **Fire Rated:** Successfully tested in accordance with Australian Standard AS 1905.1-2015

INSTALLATION GUIDE

- Minimum Door Thickness 35mm
- Suitable for Timber doors with Timber or some Metal frames
- As a guide doors:
 - 2040 high x 820 – 3 hinges
- Recommended that the minimum of 3 hinges be used with the top hinge located as high as possible.

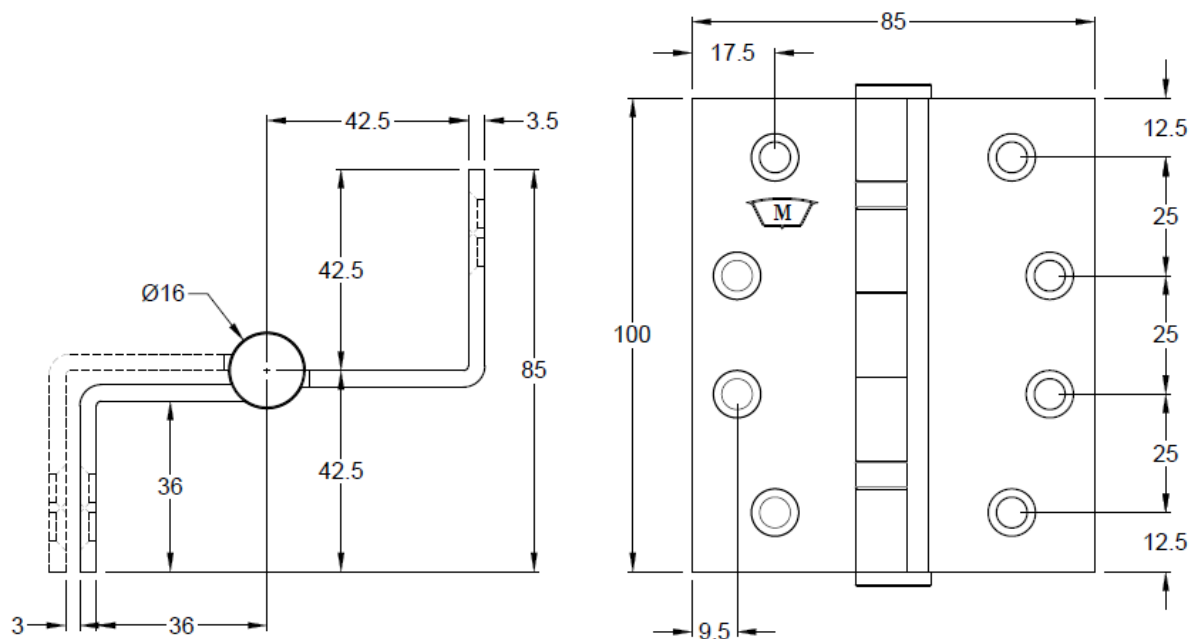
FIXING

- Fastening screws supplied
- Metal fixings – M5 x 12mm, Countersunk Phillips Stainless Steel metal screw
- Timber fixings – 10G x 32mm Stainless Steel type AB self-tapping Phillips drive screw.

FINISH

S268SSS – Satin Stainless Steel
S268PSS – Polished Stainless Steel
S268BLK – Black

S271 Stainless Steel Swing Clear “Hospital” Ball Bearing Hinge



SPECIFICATION

- **Hinge Type:** Swing Clear “Hospital” – Fixed Pin
- **Material:** Stainless Steel 304 grade
- **Hinge Pin:** 7.9mm Diameter Stainless Steel 304 grade.
- **Bearing:** Stainless Steel – Cage & Bearing
- **Knuckle:** Round
- **Endcaps:** Stainless Steel 304 grade Pressed Interference fit
- **Fixing Holes:** Industry Standard hole pattern to suit pressed metal frames.
- **Fire Rated:** N/A

INSTALLATION GUIDE

- Minimum Door Thickness 35mm
- Suitable for Timber doors with Timber or some Metal frames
- As a guide doors:
 - 2040 high x 820 – 3 hinges
- Recommended that the minimum of 3 hinges be used with the top hinge located as high as possible.

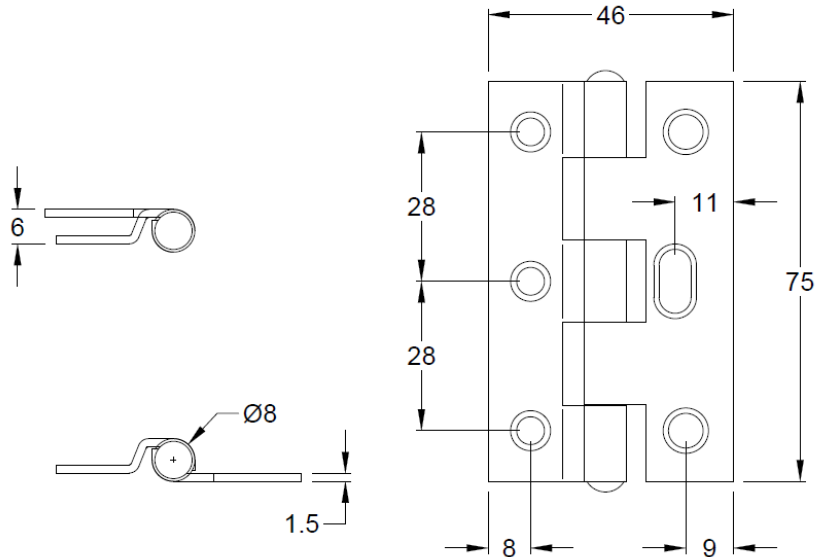
FIXING

- Fastening screws supplied
- Metal fixings – M5 x 12mm, Countersunk Phillips Stainless Steel metal screw
- Timber fixings – 10G x 32mm Stainless Steel type AB self-tapping Phillips drive screw.

FINISH

S271SSS – Satin Stainless Steel

S275 Stainless Steel Screen Door Hinge 75x45x1.5mm



SPECIFICATION

- **Hinge Type:** Security Screen Step over Hinge
- **Material:** Stainless Steel 304 grade
- **Hinge Pin:** 4.5mm Diameter Stainless Steel 304 grade.
- **Bearing:** N/A
- **Knuckle:** Round
- **Endcaps:** Spin Riveted Hinge Pin

INSTALLATION GUIDE

- Door Thickness 20mm
- Suitable for Aluminium doors in Aluminium or Timber frames
- As a guide doors:
 - 2040 high x 820 – 3 hinges
- Recommended that the minimum of 3 hinges be used with the top hinge located as high as possible.

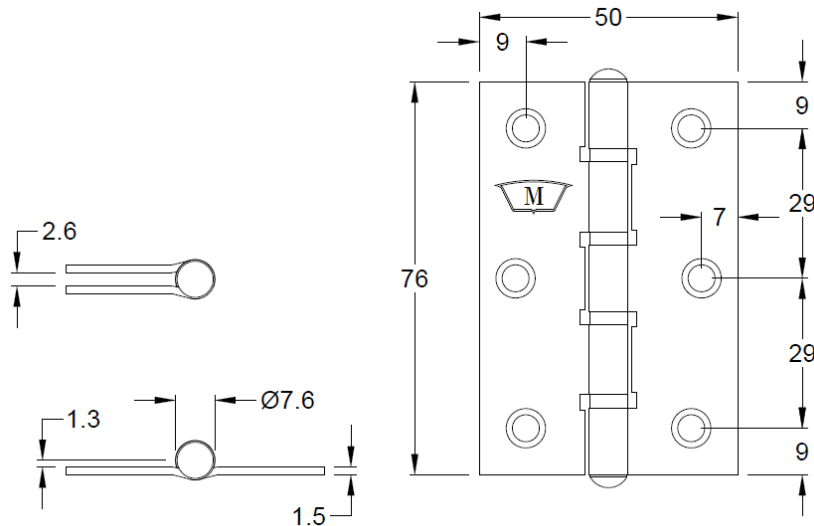
FIXING

- Fastening screws **NOT** supplied

FINISH

S275SSS – Satin Stainless Steel

S279 Stainless Steel Washered Butt Hinge 76x50x1.5mm



SPECIFICATION

- **Hinge Type:** Washered Butt – Fixed Pin
- **Material:** Stainless Steel 304 grade
- **Hinge Pin:** 4.5mm Diameter Stainless Steel 304 grade.
- **Bearing:** Stainless Steel – Washers
- **Knuckle:** Round
- **Endcaps:** Stainless Steel 304 grade Pressed Interference fit

INSTALLATION GUIDE

- Minimum Door Thickness 35mm
- Suitable for Timber doors with Timber or some Metal frames
- As a guide doors:
 - 2040 high x 820 – 3 hinges
- Recommended that the minimum of 3 hinges be used with the top hinge located as high as possible.

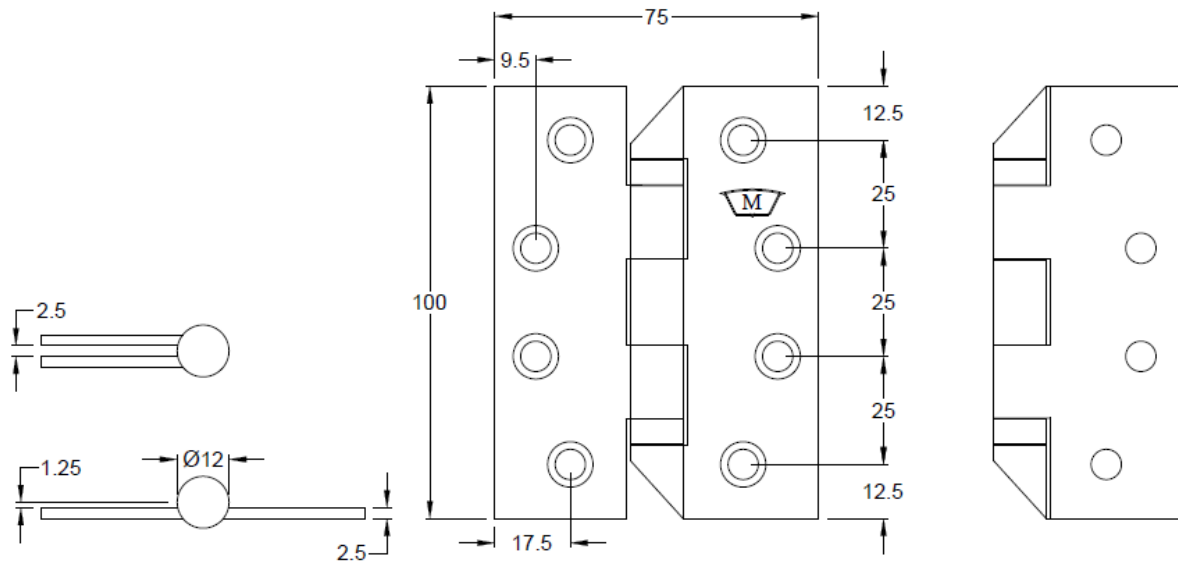
FIXING

- Fastening screws supplied
- Timber fixings – 10G x 32mm Stainless Steel type AB self-tapping Phillips drive screw.


FINISH

S279SSS – Satin Stainless Steel

S224AL Stainless Steel Anti-Ligature Butt Hinge 100x75x2.5mm



SPECIFICATION

- **Hinge Type:** Ball Bearing Butt – Fixed Pin
- **Material:** Stainless Steel 304 grade
- **Hinge Pin:** 6.9mm Diameter Stainless Steel 304 grade.
- **Bearing:** Stainless Steel – Cage & Bearing
- **Knuckle:** Anti-Ligature Round
- **Endcaps:** Stainless Steel 304 grade Pressed Interference fit
- **Fixing Holes:** Industry Standard hole pattern to suit pressed metal frames.
-  **Fire Rated:** Successfully tested in accordance with Australian Standard AS 1905.1-2015

INSTALLATION GUIDE

- Minimum Door Thickness 35mm
- Suitable for Timber doors with Timber or some Metal frames
- As a guide doors:
 - 2040 high x 820 – 3 hinges
- Recommended that the minimum of 3 hinges be used with the top hinge located as high as possible.

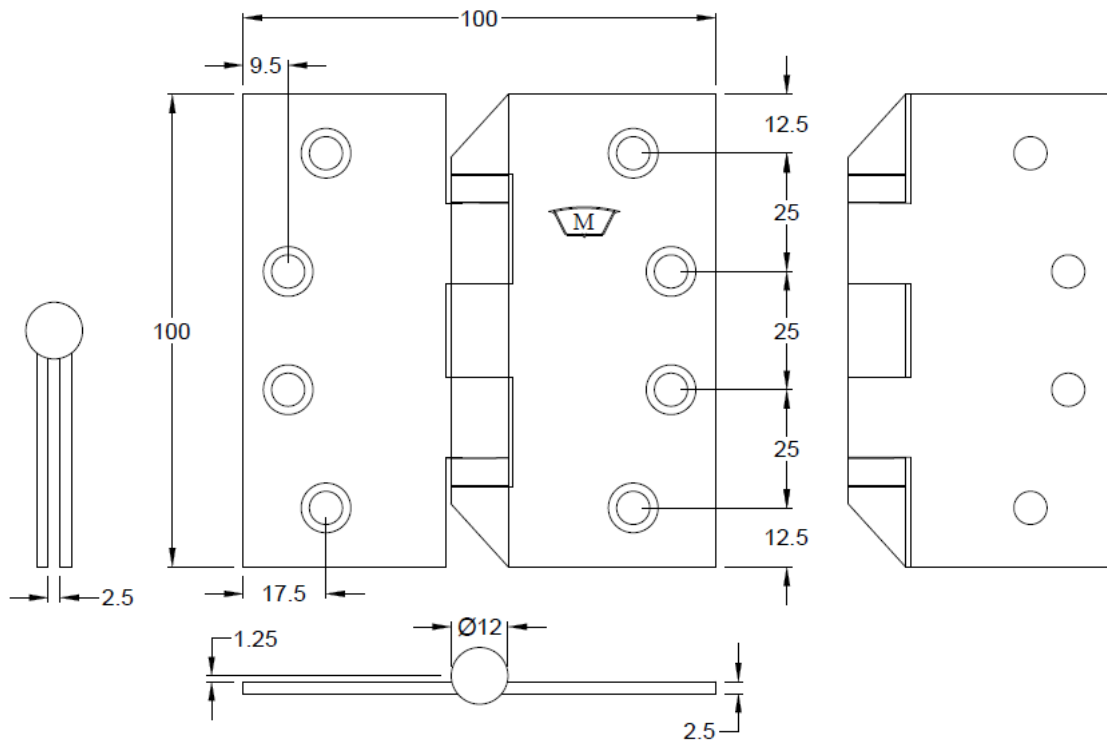
FIXING

- Fastening screws supplied
- Metal fixings – M5 x 12mm, Countersunk Phillips Stainless Steel metal screw
- Timber fixings – 10G x 32mm Stainless Steel type AB self-tapping Phillips drive screw.


FINISH

S224ALSSS – Satin Stainless Steel
S224ALPSS – Polished Stainless Steel
S224ALBLK – Black

S234AL Stainless Steel Anti-Ligature Butt Hinge 100x100x2.5mm



SPECIFICATION

- **Hinge Type:** Ball Bearing Butt – Fixed Pin
- **Material:** Stainless Steel 304 grade
- **Hinge Pin:** 6.9mm Diameter Stainless Steel 304 grade.
- **Bearing:** Stainless Steel – Cage & Bearing
- **Knuckle:** Anti-Ligature Round
- **Endcaps:** Stainless Steel 304 grade Pressed Interference fit
- **Fixing Holes:** Industry Standard hole pattern to suit pressed metal frames.
-  **Fire Rated:** Successfully tested in accordance with Australian Standard AS 1905.1-2015

INSTALLATION GUIDE

- Minimum Door Thickness 35mm
- Suitable for Timber doors with Timber or some Metal frames
- As a guide doors:
 - 2040 high x 820 – 3 hinges
- Recommended that the minimum of 3 hinges be used with the top hinge located as high as possible.

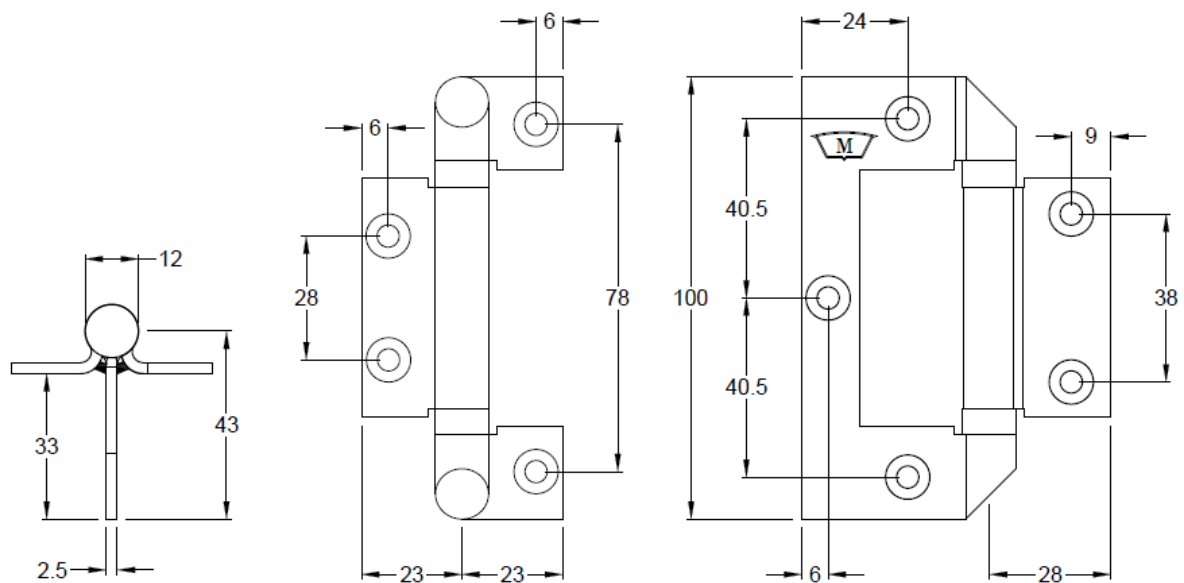
FIXING

- Fastening screws supplied
- Metal fixings – M5 x 12mm, Countersunk Phillips Stainless Steel metal screw
- Timber fixings – 10G x 32mm Stainless Steel type AB self-tapping Phillips drive screw.

FINISH

- S234ALSSS – Satin Stainless Steel
- S234ALPSS – Polished Stainless Steel
- S234ALBLK – Black

S263AL Stainless Steel Anti-Ligature Interfold Hinge 100mm



SPECIFICATION

- **Hinge Type:** Interfold Hinge – Anti-Ligature
- **Material:** Stainless Steel 304 grade
- **Hinge Pin:** 6.9mm Diameter Stainless Steel 304 grade.
- **Bearing:** Stainless Steel – Cage & Bearing
- **Knuckle:** Round Anti Ligature
- **Endcaps:** Stainless Steel 304 grade Pressed Interference fit
- **Face Fix:** Wrap Around Face Fixing to Door & Frame
- **Hinge Positioning Locator:** Yes

INSTALLATION GUIDE

- Minimum Door Thickness 35mm
- Suitable for Aluminium doors and some Timber in Aluminium frames.
- As a guide doors:
 - 2040 high x 820 – 3 hinges
- Recommended that the minimum of 3 hinges be used with the top hinge located as high as possible.

FIXING

- Fastening screws supplied
- Timber fixings – 10G x 32mm Stainless Steel type AB self-tapping Phillips drive screw.

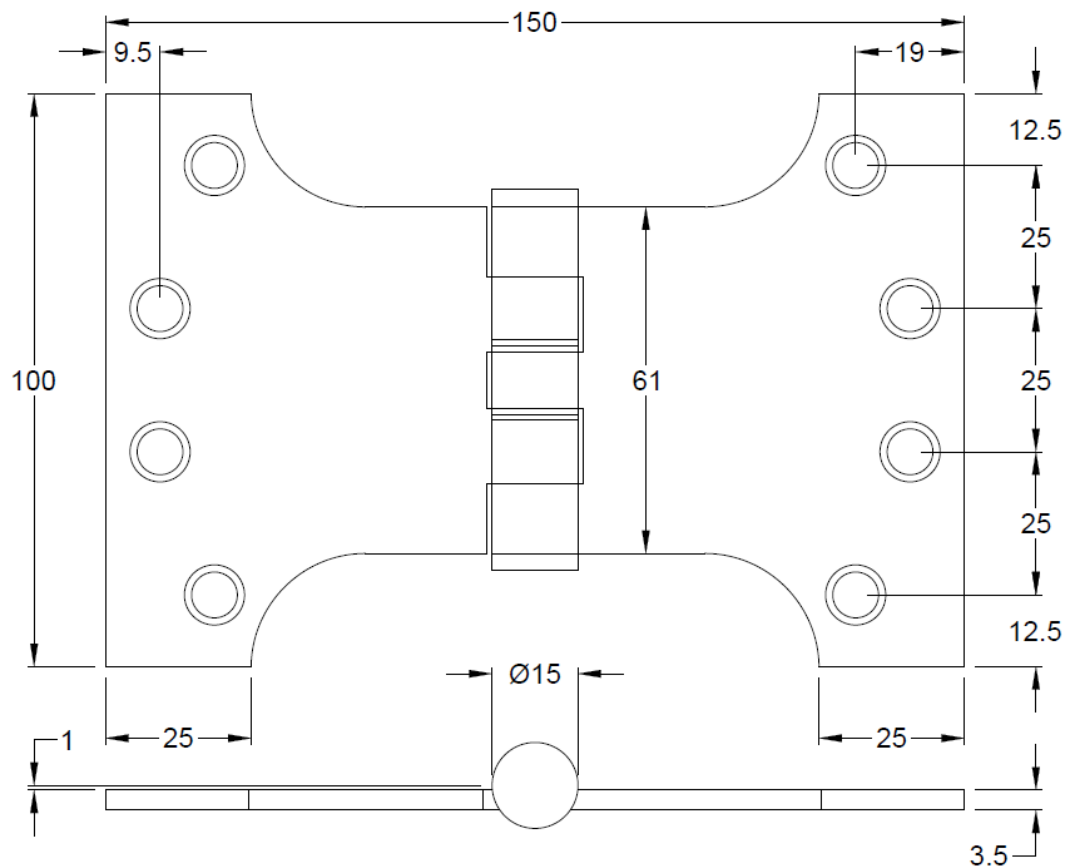
Pop Rivets are NOT RECOMMENDED

FINISH

S263ALSSS – Satin Stainless Steel

S263ALBLK– Black

S289 Stainless Steel Parliament Hinge 100x150x3.5mm Fixed Pin



SPECIFICATION

- **Hinge Type:** Parliament Wide Throw Butt
- **Material:** Stainless Steel 304 grade
- **Hinge Pin:** 7.9mm Diameter Stainless Steel 304 grade.
- **Bearing:** Stainless Steel – Cage & Bearing
- **Knuckle:** Round
- **Endcaps:** Stainless Steel 304 grade Pressed Interference fit

INSTALLATION GUIDE

- Minimum Door Thickness 35mm
- Suitable for Timber doors with Timber or some Metal frames
- As a guide doors:
 - 2040 high x 820 – 3 hinges
- Recommended that the minimum of 3 hinges be used with the top hinge located as high as possible.

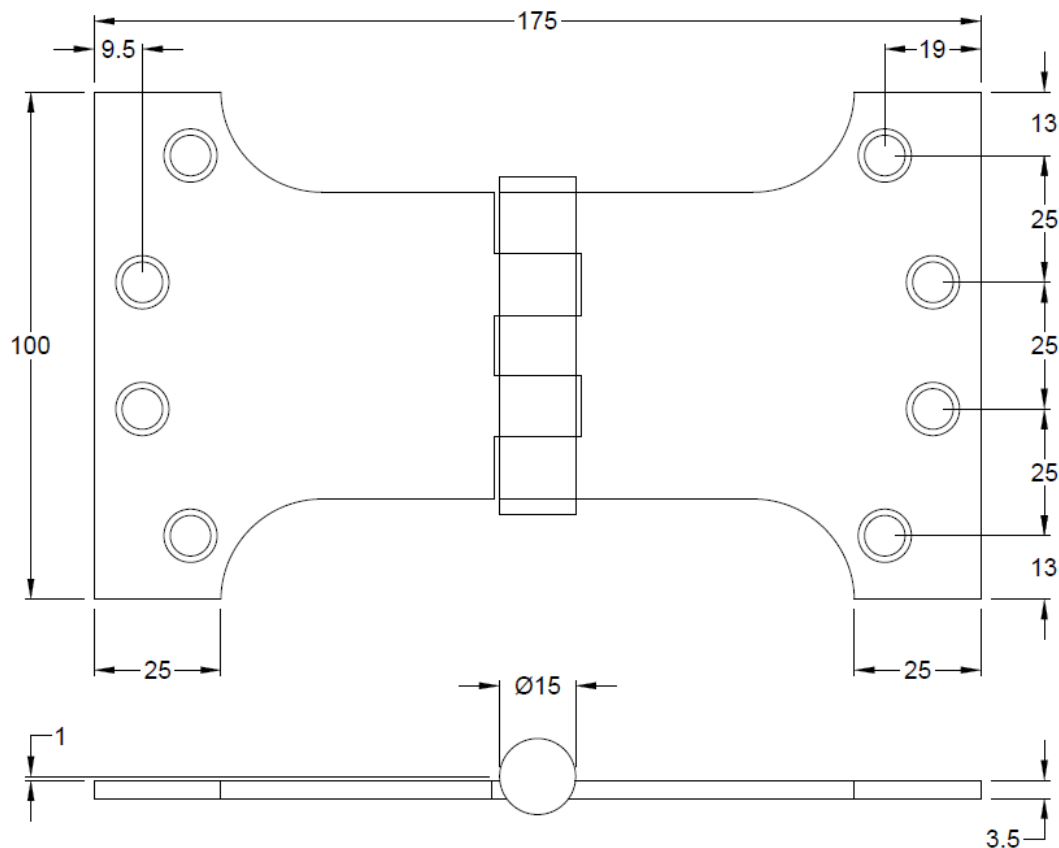
FIXING

- Fastening screws supplied
- Timber fixings – 10G x 32mm Stainless Steel type AB self-tapping Phillips drive screw.

FINISH

S289SSS – Satin Stainless Steel
S289PSS – Polished Stainless Steel
S289BLK – Black
S289PVD – PVD

S290 Stainless Steel Parliament Hinge 100x175x3.5mm Fixed Pin



SPECIFICATION

- **Hinge Type:** Parliament Wide Throw Butt
- **Material:** Stainless Steel 304 grade
- **Hinge Pin:** 7.9mm Diameter Stainless Steel 304 grade.
- **Bearing:** Stainless Steel – Cage & Bearing
- **Knuckle:** Round
- **Endcaps:** Stainless Steel 304 grade Pressed Interference fit

INSTALLATION GUIDE

- Minimum Door Thickness 35mm
- Suitable for Timber doors with Timber or some Metal frames
- As a guide doors:
 - 2040 high x 820 – 3 hinges
- Recommended that the minimum of 3 hinges be used with the top hinge located as high as possible.

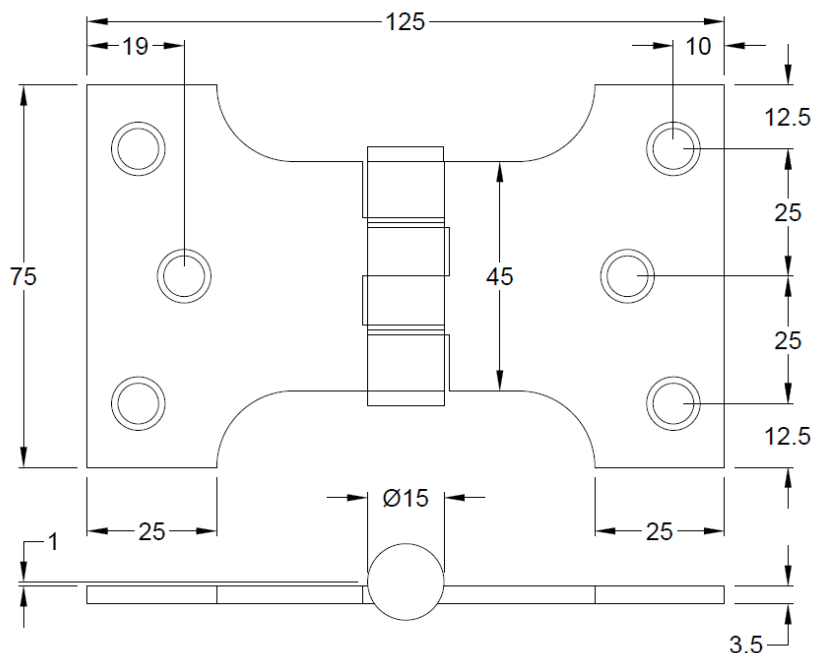
FIXING

- Fastening screws supplied
- Timber fixings – 10G x 32mm Stainless Steel type AB self-tapping Phillips drive screw.

FINISH

S290SSS – Satin Stainless Steel
S290PSS – Polished Stainless Steel
S290BLK – Black
S290PVD – PVD

S292 Stainless Steel Parliament Hinge 75x125x3.5mm Fixed Pin



SPECIFICATION

- **Hinge Type:** Parliament Wide Throw Butt
- **Material:** Stainless Steel 304 grade
- **Hinge Pin:** 7.9mm Diameter Stainless Steel 304 grade.
- **Bearing:** Stainless Steel – Cage & Bearing
- **Knuckle:** Round
- **Endcaps:** Stainless Steel 304 grade Pressed Interference fit

INSTALLATION GUIDE

- Minimum Door Thickness 35mm
- Suitable for Timber doors with Timber or some Metal frames
- As a guide doors:
 - 2040 high x 820 – 3 hinges
- Recommended that the minimum of 3 hinges be used with the top hinge located as high as possible.

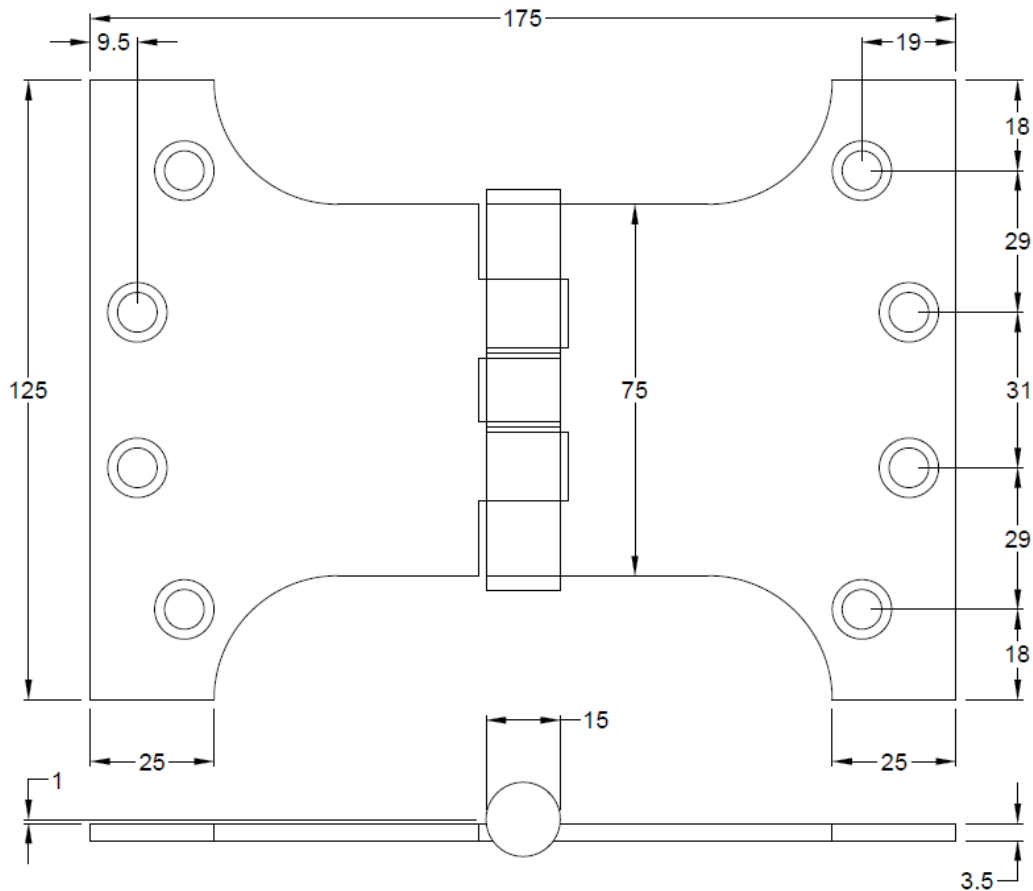
FIXING

- Fastening screws supplied
- Timber fixings – 10G x 32mm Stainless Steel type AB self-tapping Phillips drive screw.

FINISH

S292SSS – Satin Stainless Steel
S292PSS – Polished Stainless Steel
S292BLK – Black
S292PVD – PVD

S293 Stainless Steel Parliament Hinge 125x175x3.5mm Fixed Pin



SPECIFICATION

- **Hinge Type:** Parliament Wide Throw Butt
- **Material:** Stainless Steel 304 grade
- **Hinge Pin:** 7.9mm Diameter Stainless Steel 304 grade.
- **Bearing:** Stainless Steel – Cage & Bearing
- **Knuckle:** Round
- **Endcaps:** Stainless Steel 304 grade Pressed Interference fit

INSTALLATION GUIDE

- Minimum Door Thickness 35mm
- Suitable for Timber doors with Timber or some Metal frames
- As a guide doors:
 - 2040 high x 820 – 3 hinges
- Recommended that the minimum of 3 hinges be used with the top hinge located as high as possible.

FIXING

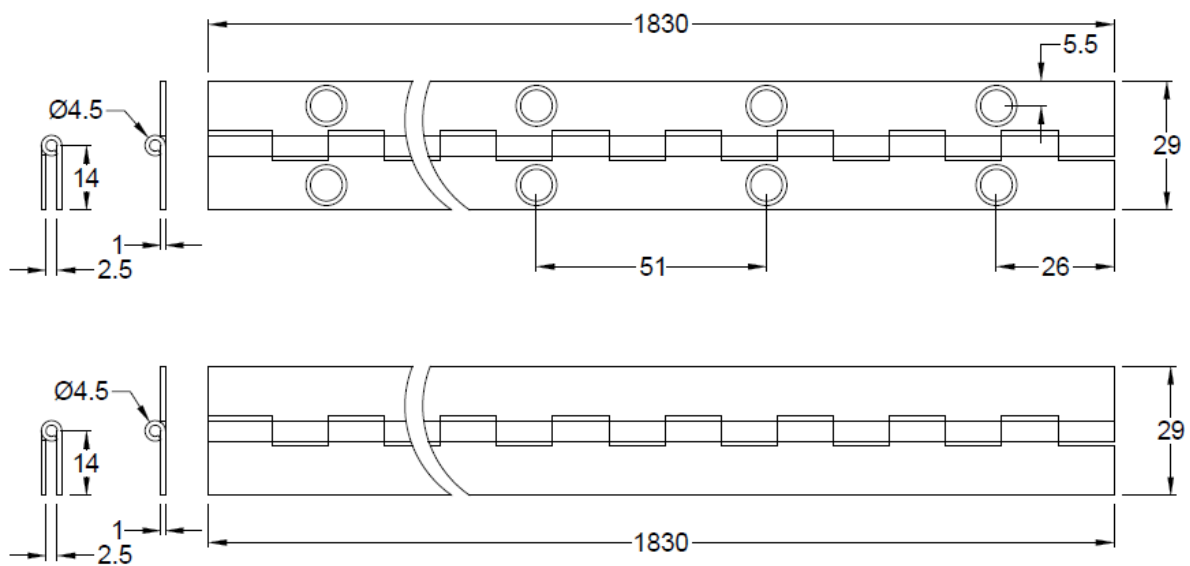
- Fastening screws supplied
- Timber fixings – 10G x 32mm Stainless Steel type AB self-tapping Phillips drive screw.

FINISH

- S293SSS – Satin Stainless Steel
- S293PSS – Polished Stainless Steel
- S293BLK – Black
- S293PVD – PVD

S301D Stainless Steel Piano Hinge Drilled - 29x1.0x1830mm

S301U Stainless Steel Piano Hinge Undrilled - 29x1.0x1830mm



SPECIFICATION

- **Hinge Type:** Continuous Piano Hinge
- **Material:** Stainless Steel 304 grade
- **Hinge Pin:** 2.4mm Diameter Stainless Steel 304 grade.
- **Knuckle:** Round
- **Fixings Holes:**
 - S301D – pre-drilled fixing holes
 - S301U – NO pre-drilled fixing holes

INSTALLATION GUIDE

- Suitable for Timber or Metal doors
- Cut to length to suit the application

FIXING

- Fastening screws NOT supplied

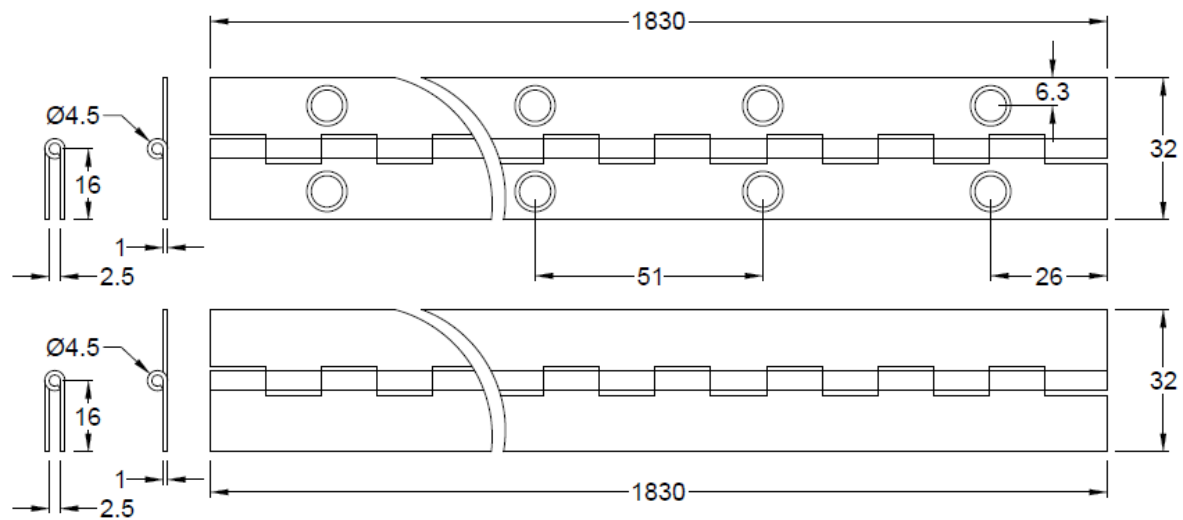
FINISH

S301DSSS – Satin Stainless Steel

S301USSS – Satin Stainless Steel

S302D Stainless Steel Piano Hinge Drilled - 32x1.0x1830mm

S302U Stainless Steel Piano Hinge Undrilled - 32x1.0x1830mm



SPECIFICATION

- **Hinge Type:** Continuous Piano Hinge
- **Material:** Stainless Steel 304 grade
- **Hinge Pin:** 2.4mm Diameter Stainless Steel 304 grade.
- **Knuckle:** Round
- **Fixings Holes:**
 - S302D – pre-drilled fixing holes
 - S302U – NO pre-drilled fixing holes

INSTALLATION GUIDE

- Suitable for Timber or Metal doors
- Cut to length to suit the application

FIXING

- Fastening screws NOT supplied

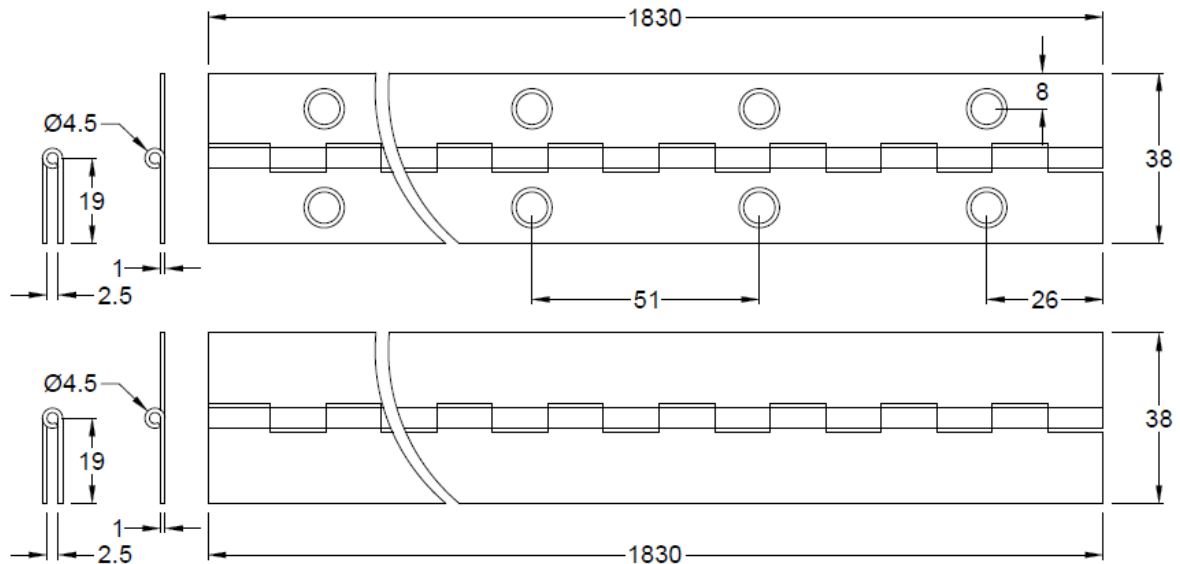
FINISH

S302DSSS – Satin Stainless Steel

S302USSS – Satin Stainless Steel

S303D Stainless Steel Piano Hinge Drilled - 38x1.0x1830mm

S303U Stainless Steel Piano Hinge Undrilled - 38x1.0x1830mm



SPECIFICATION

- **Hinge Type:** Continuous Piano Hinge
- **Material:** Stainless Steel 304 grade
- **Hinge Pin:** 2.4mm Diameter Stainless Steel 304 grade.
- **Knuckle:** Round
- **Fixings Holes:**
 - S303D – pre-drilled fixing holes
 - S303U – NO pre-drilled fixing holes

INSTALLATION GUIDE

- Suitable for Timber or Metal doors
- Cut to length to suit the application

FIXING

- Fastening screws NOT supplied

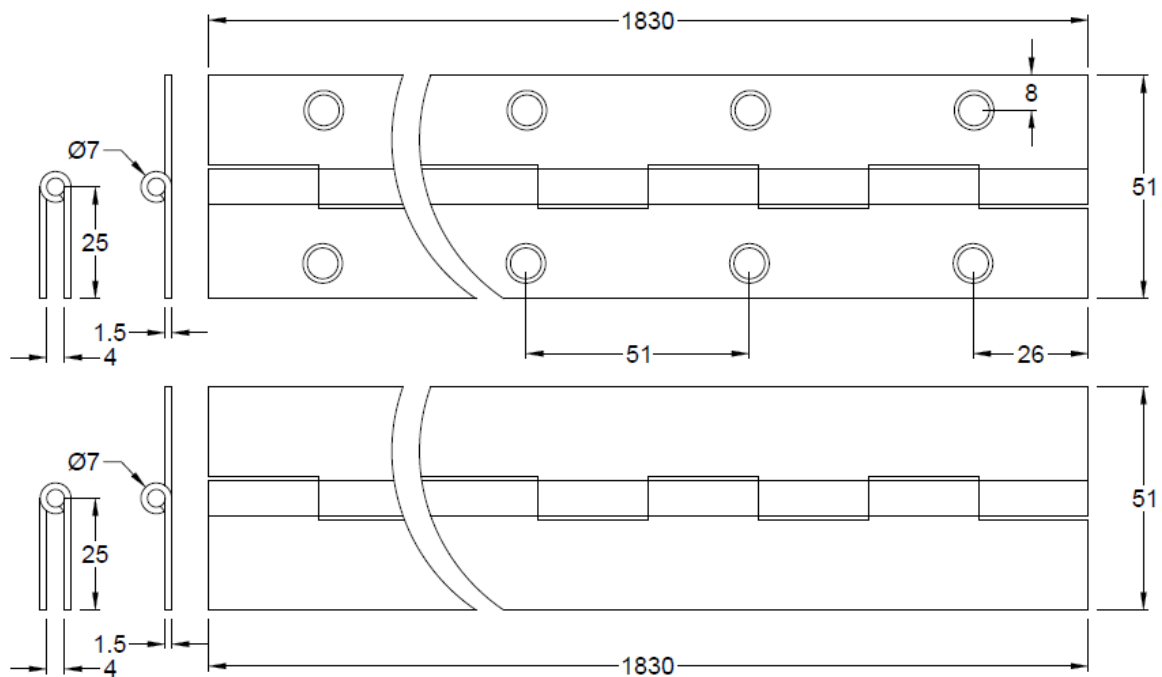
FINISH

S303DSSS – Satin Stainless Steel

S303USSS – Satin Stainless Steel

S304D Stainless Steel Piano Hinge Drilled - 51x1.5x1830mm

S304U Stainless Steel Piano Hinge Undrilled - 51x1.5x1830mm



SPECIFICATION

- **Hinge Type:** Continuous Piano Hinge
- **Material:** Stainless Steel 304 grade
- **Hinge Pin:** 4mm Diameter Stainless Steel 304 grade.
- **Knuckle:** Round
- **Fixings Holes:**
 - S304D – pre-drilled fixing holes
 - S304U – NO pre-drilled fixing holes

INSTALLATION GUIDE

- Suitable for Timber or Metal doors
- Cut to length to suit the application

FIXING

- Fastening screws NOT supplied

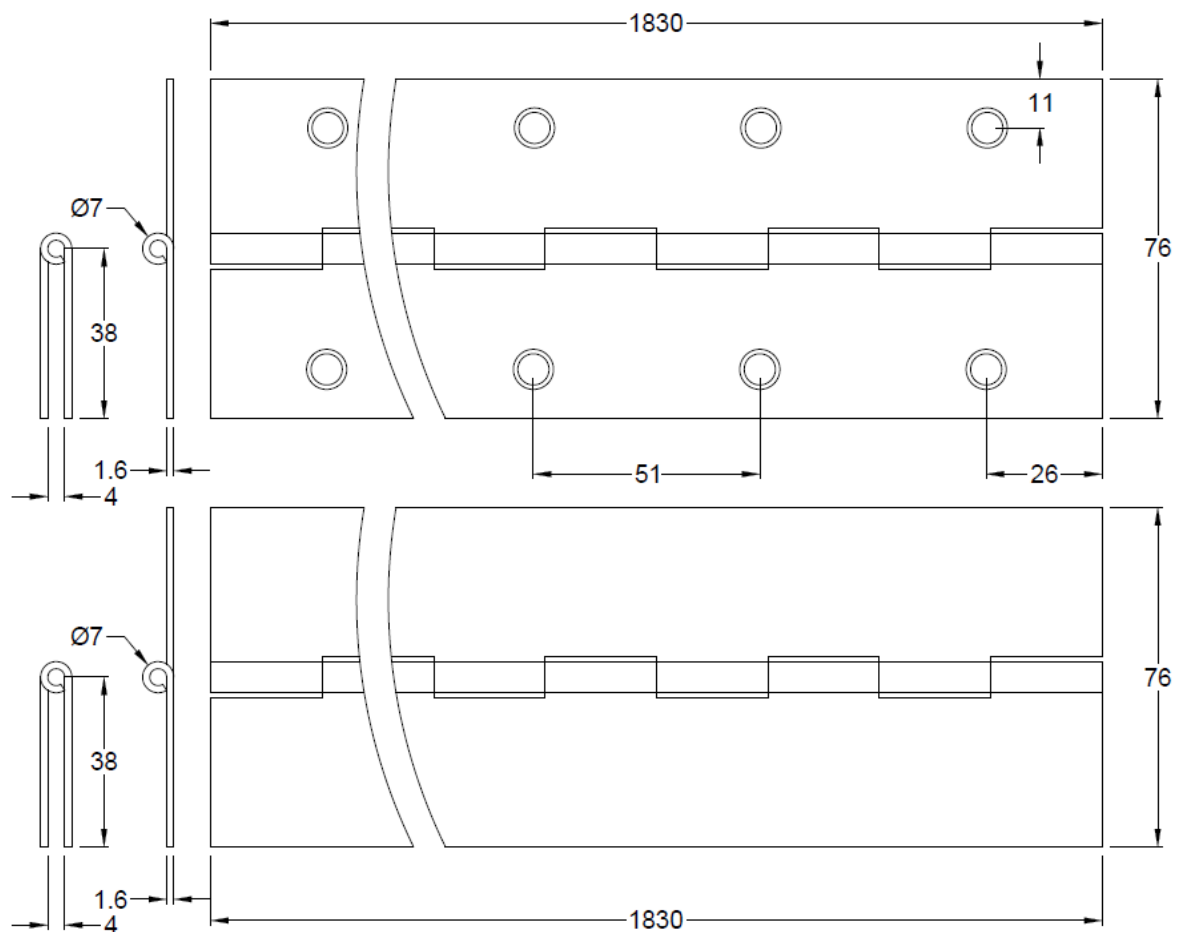
FINISH

S304DSSS – Satin Stainless Steel

S304USSS – Satin Stainless Steel

S305D Stainless Steel Piano Hinge Drilled 76x1.6x1830mm

S305U Stainless Steel Piano Hinge Undrilled 76x1.6x1830mm



SPECIFICATION

- **Hinge Type:** Continuous Piano Hinge
- **Material:** Stainless Steel 304 grade
- **Hinge Pin:** 4mm Diameter Stainless Steel 304 grade.
- **Knuckle:** Round
- **Fixings Holes:**
 - S305D – pre-drilled fixing holes
 - S305U – NO pre-drilled fixing holes

INSTALLATION GUIDE

- Suitable for Timber or Metal doors
- Cut to length to suit the application

FIXING

- Fastening screws NOT supplied

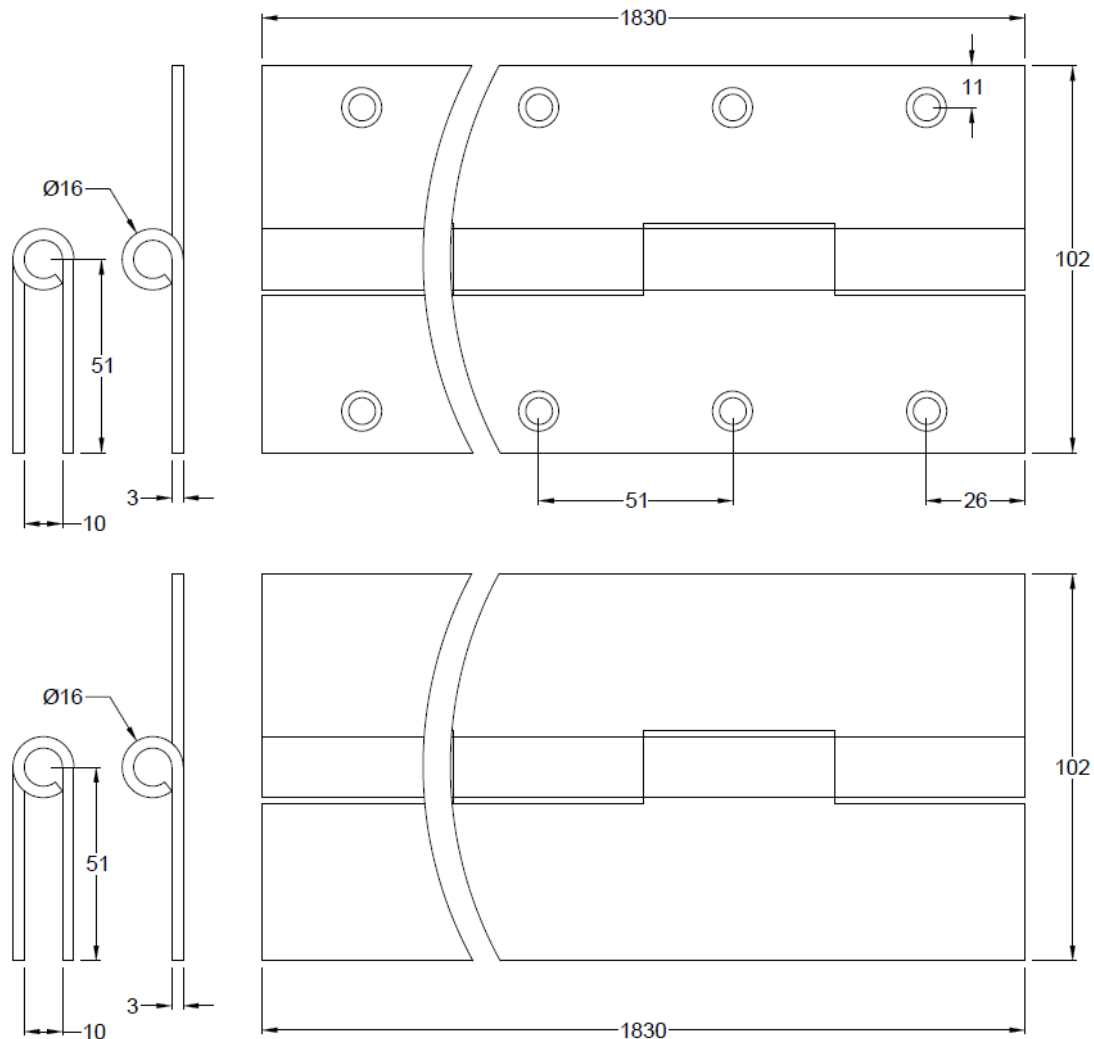
FINISH

S305DSSS – Satin Stainless Steel

S305USSS – Satin Stainless Steel

S306D Stainless Steel Piano Hinge Drilled - 102x3.0x1830mm

S306U Stainless Steel Piano Hinge Undrilled - 102x3.0x1830mm



SPECIFICATION

- **Hinge Type:** Continuous Piano Hinge
- **Material:** Stainless Steel 304 grade
- **Hinge Pin:** 10mm Diameter Stainless Steel 304 grade.
- **Knuckle:** Round
- **Fixings Holes:**
 - S306D – pre-drilled fixing holes
 - S306U – NO pre-drilled fixing holes

INSTALLATION GUIDE

- Suitable for Timber or Metal doors
- Cut to length to suit the application

FIXING

- Fastening screws NOT supplied

FINISH

S306DSSS – Satin Stainless Steel

S306USSS – Satin Stainless Steel

